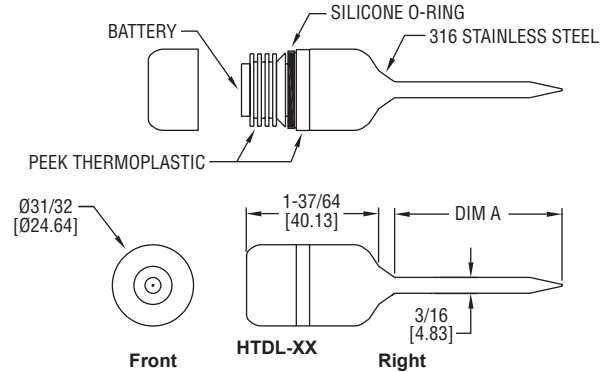


Dwyer

HIGH TEMPERATURE DATA LOGGER

Submersible, Continuous Recording, User Replaceable Battery



The **MODEL HTDL-20/30** is a high temperature data logger that can measure temperatures up to 500°F (260°C) and record up to 32,700 measurements.

FEATURES/BENEFITS

- Submersible and portable
- Temperature measurement up to 500°F
- Remote probe option for chamber or oven logging
- Delay startup timer

APPLICATIONS

- Thermal testing
- Process monitoring or troubleshooting

MODEL CHART	
Model	Description
HTDL-20	High temperature data logger with 2" rigid probe
HTDL-30	High temperature data logger with 24" flexible probe

SPECIFICATIONS

Range: -328 to 500°F (-200 to 260°C).

Memory Size: 32,700 readings.

Accuracy: 0.18°F (0.1°C) @ 68 to 284°F (20 to 140°C); 0.54°F (0.3°C) @ -4 to 67.98°F (-20 to 19.99°C).

Resolution: 0.02°F (0.01°C).

Temperature Limits: -4 to 284°F (-20 to 140°C).

Sampling Method: Stop on memory full or continuous recording.

Sampling Rate: Selectable from 1 sec to 24 hrs.

Computer Requirements: Windows® Xp Sp3, Windows Vista®, Windows® 7 operating systems.

Power Requirements: 3.6 V 1/2 AA ER14250SM lithium metal battery, installed functional, user replaceable.

Battery Life: 1 year (approx).

Interface: Docking station and USB cable.

Housing Material: 316 SS.

Weight: 4.2 oz (120 g).

Agency Approvals: CE.

ACCESSORIES

Model	Description
HTDL-DS	Docking station, software, manual and USB interface
ER1425S-HT	Replacement battery