

AXF Integral Flowmeter/Remote Flowtube AXF Standard (ANSI/JPI Flange) Fluorocarbon PFA/Polyurethane Rubber/Natural Soft Rubber/EPDM Rubber Lining

Integral Flowmeter

Remote Flowtube

Integral Flowmeter

Remote Flowtube

Unit : mm
(approx. inch)

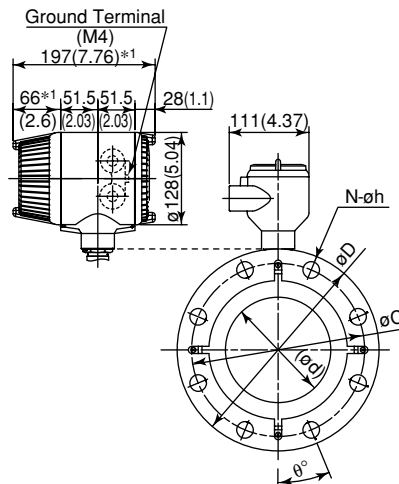
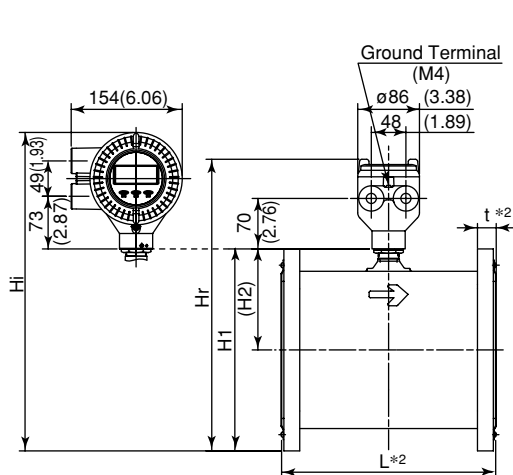


Fig13E.EPS

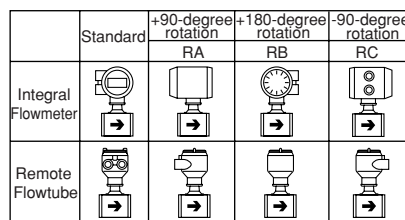
*No infra-red switches are furnished for Fieldbus communication type.

Model code:

AXF150 G — D^{*5} E 1 A U D G
AXF200 W — F 2 N □ 1 □ — C A 1 1
C — G N P — C A 2 P A 1 P A 2

*5: D, E, F, G; Integral Flowmeter, N, P: Remote Flowtube

* When option code RA, RB, or RC is selected, the direction of electrical connection change as below.



F19-1E.EPS

Model	Process Connection	BA1/CA1 (ANSI Class 150)		PA1(ANSI Class 150) BP1(JPI Class 150)		BA2/CA2 (ANSI Class 300)		PA2 (ANSI Class 300)	
		150	200	150	200	150	200	150	200
	Size code	150 (6)	200 (8)	150 (6)	200 (8)	150 (6)	200 (8)	150 (6)	200 (8)
	Size	150	200	150	200	150	200	150	200
	Lining code	A,U D,G	A,U D,G	A	A	A,U D,G	A,U D,G	A	A
Remote Flowtube	Face-to-face length	L _g *2 300 (11.81)	350 (13.78)	300 (11.81)	350 (13.78)	300 (11.81)	350 (13.78)	300 (11.81)	350 (13.78)
	Outside dia.	øD 279.4 (11.00)	342.9 (13.50)	279.4 (11.00)	342.9 (13.50)	317.5 (12.50)	381.0 (15.00)	317.5 (12.50)	381.0 (15.00)
	Thickness	t*2 30.4 (1.20)	33.4 (1.31)	30.4 (1.20)	33.4 (1.31)	41.5 (1.63)	46.1 (1.81)	41.5 (1.63)	46.1 (1.81)
	Inner diameter of Grounding ring	ød 146.1 (5.75)	193.6 (7.62)	146.1 (5.75)	193.6 (7.62)	146.1 (5.75)	193.6 (7.62)	146.1 (5.75)	193.6 (7.62)
	Pitch circle dia.	øC 241.3 (9.50)	298.5 (11.75)	241.3 (9.50)	298.5 (11.75)	269.7 (10.62)	330.2 (13.00)	269.7 (10.62)	330.2 (13.00)
	Bolt hole interval	θ° 22.5	22.5	22.5	22.5	15	15	15	15
	Hole dia.	øh 22.4 (0.88)	22.4 (0.88)	22.4 (0.88)	22.4 (0.88)	22.4 (0.88)	25.4 (1.00)	22.4 (0.88)	25.4 (1.00)
Number of holes	N	8	8	8	8	12	12	12	
Integral Flowmeter	Height	H1 281 (11.05)	337 (13.29)	281 (11.05)	337 (13.29)	300 (11.80)	357 (14.04)	300 (11.80)	357 (14.04)
	Height	H2 141 (5.55)	166 (6.54)	141 (5.55)	166 (6.54)	141 (5.55)	166 (6.54)	141 (5.55)	166 (6.54)
Remote Flowtube	Max. Height	Hr 405 (15.93)	461 (18.17)	405 (15.93)	461 (18.17)	424 (16.68)	481 (18.92)	424 (16.68)	481 (18.92)
	Weight kg (lb)*3	30.9 (68.0)	49.2 (108.4)	30.9 (68.0)	49.2 (108.4)	52.5 (115.7)	78.8 (173.7)	52.5 (115.7)	78.8 (173.7)
Integral Flowmeter	Max. Height	Hi 443 (17.43)	499 (19.66)	443 (17.43)	499 (19.66)	462 (18.18)	519 (20.41)	462 (18.18)	519 (20.41)
	Weight kg (lb)	32.6 (71.8)	50.9 (112.2)	32.6 (71.8)	50.9 (112.2)	54.2 (119.5)	80.5 (177.5)	54.2 (119.5)	80.5 (177.5)

TD02-11E.EPS

Lining code : A; Fluorocarbon PFA, U; Polyurethane Rubber
D; Natural Soft Rubber, G; EPDM Rubber

Unless otherwise specified, difference in the dimensions are specified as : General tolerance = ± (Criteria of tolerance class IT18 in JIS B0401) / 2

Integral Flowmeter

BRAIN/HART Communication Type

Terminal configuration

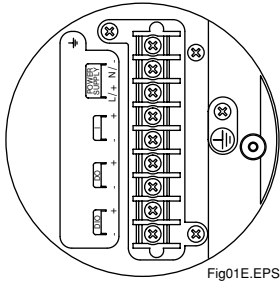


Fig01E.EPS

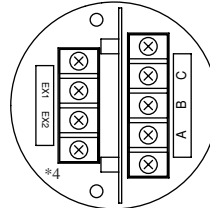
Terminal wiring

Terminal Symbols	Description
	Functional grounding
N/- L/+	Power supply
I+ I-	Current output 4 to 20mA DC
DO+ DO-	Pulse output/Alarm output/ Status output
DIO+ DIO-	Alarm output/Status output Status input
	Protective grounding (Outside of the terminal)

Fig01-2E.EPS

Remote Flowtube

Terminal configuration



*4: In case of explosion proof type, (functional grounding terminal) is added.

Fig02E.EPS

Terminal wiring

Terminal Symbols	Description
A B C	Flow signal output
EX1 EX2	Excitation current input
	Protective grounding (Outside of the terminal)

FOUNDATION Fieldbus/PROFIBUS PA Communication type

Terminal configuration

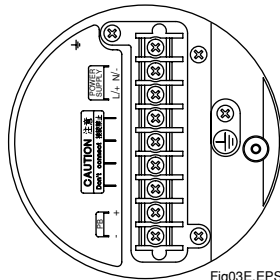


Fig03E.EPS

Terminal wiring

Terminal Symbols	Description
	Functional grounding
N/- L/+	Power supply
FB+ FB-	Fieldbus communication signal
	Protective grounding (Outside of the terminal)

Fig01-3E.EPS