

General Specifications

MODEL MD1 Tachometer Transmitter

JUXTA

Model MD1 Tachometer Transmitter is plug-in type signal conditioner to convert single phase AC voltage signal from tacho-generator into isolated voltage or current signal.

● AC/DC conversion is made by mean value.

(2000V AC high voltage proof is available upon request)

Input/Output Specifications	
Input signal	0~V ₁₀₀ V AC (V ₁₀₀ = 100% input voltage) 16≤V ₁₀₀ ≤150V AC
Input frequency	15Hz≤F ₁₀₀ ≤1KHz (F ₁₀₀ = 100% input frequency)
Permissible over input	120% (continuous)
Output signal	DC current or voltage signal
Permissible load resistance	
Output range	Output Range
4~20mA DC : Less than 750Ω	0~ 10mV DC : More than 250kΩ
2~10mA DC : " 1500Ω	0~100mV DC : " 250kΩ
1~ 5mA DC : " 3000Ω	0~ 1V DC : " 2kΩ
0~20mA DC : " 750Ω	0~ 10V DC : " 10kΩ
0~16mA DC : " 900Ω	0~ 5V DC : " 2kΩ
0~10mA DC : " 1500Ω	1~ 5V DC : " 2kΩ
0~ 1mA DC : " 15kΩ	-10~+10V DC : " 10kΩ
Zero point adjustment range	±5% of span
Span adjustment range	±5% of span
Standard Performance	
Accuracy rating	±0.3% of span
Response Speed	2.4s 63% response (10~90%)
Isulation resistance	100MΩ (at 500V DC) between input~output~power supply~ground
Voltage withstand	1500V AC/1 minute between input~output~power supply~ground
Temperature range	0~50°C
Humidity range	5~90%RH (no condensation)
Power supply voltage	12~48V DC or 85~264V AC 47~63Hz
Effect of power supply voltage fluctuation	Less than ±0.2% of span for 12~48V DC or 85~132V AC fluctuation
Effect of change in ambient temperature	Less than ±0.2% of span for 10°C change
Current dissipation	24V DC 150mA
Power dissipation	100V AC 8VA, 200V AC 12VA
Mounting, Shape and Accessories	
Material	Case: ABS plastic
Mounting method	Wall or DIN rail mounting (More than 5mm interval is required for access mounting)
Connecting method	M3.5 screw terminal
External dimension	85x50x123mm (HxWxD) (including socket)
Weight	Body: approx. 250g, Socket: approx. 60g
Accessoires	Spacer 1 (Use for DIN rail mounting)

MD1-□□-□*A

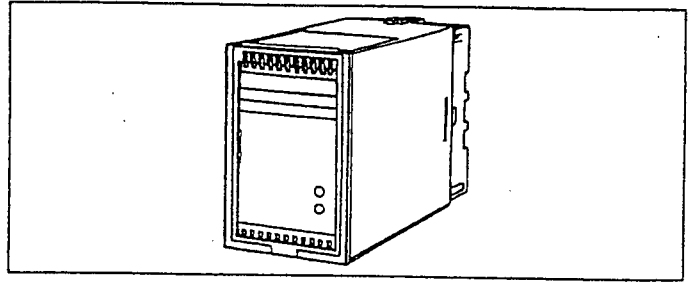
MODEL	_____
INPUT	_____
1: AC Voltage Signal	
OUTPUT	_____
A: 4~ 20mA DC	1: 0~ 10mV DC
B: 2~ 10mA DC	2: 0~ 100mV DC
C: 1~ 5mA DC	3: 0~ 1V DC
D: 0~ 20mA DC	4: 0~ 10V DC
E: 0~ 16mA DC	5: 0~ 5V DC
F: 0~ 10mA DC	6: 1~ 5V DC
G: 0~ 1mA DC	7: 10~ +10V DC
Z: (CUSTOM ORDER)	0: (CUSTOM ORDER)
Current Signal	Voltage Signal
Refer Table 1	Refer Table 1
POWER SUPPLY	
1: 12~48V DC	
2: 85~264V AC 47~63Hz	

ORDERING INFORMATION	
● Model Code	: (Example) MD1-1A-2*A
● Output Range	: (Example) 0~100V AC

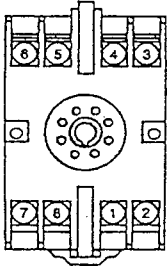
CUSTOM ORDER SPECIFICATIONS

Table 1 Manufacturable Range

	Current Signal	Voltage Signal
Input Range	—————	0~150V AC
Span	—————	16~150V AC
Zero Elevation	—————	0% only
Output Range	0~24mA DC	-10~+10V DC
Span	1~24mA DC	10mV~20V DC
Zero Elevation	0~200%	-100~+200%

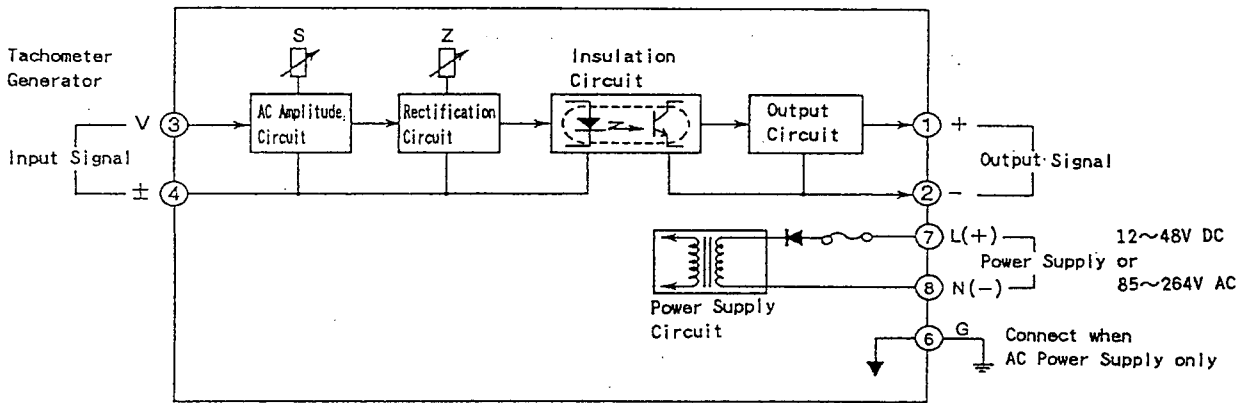


TERMINAL ARRANGEMENT



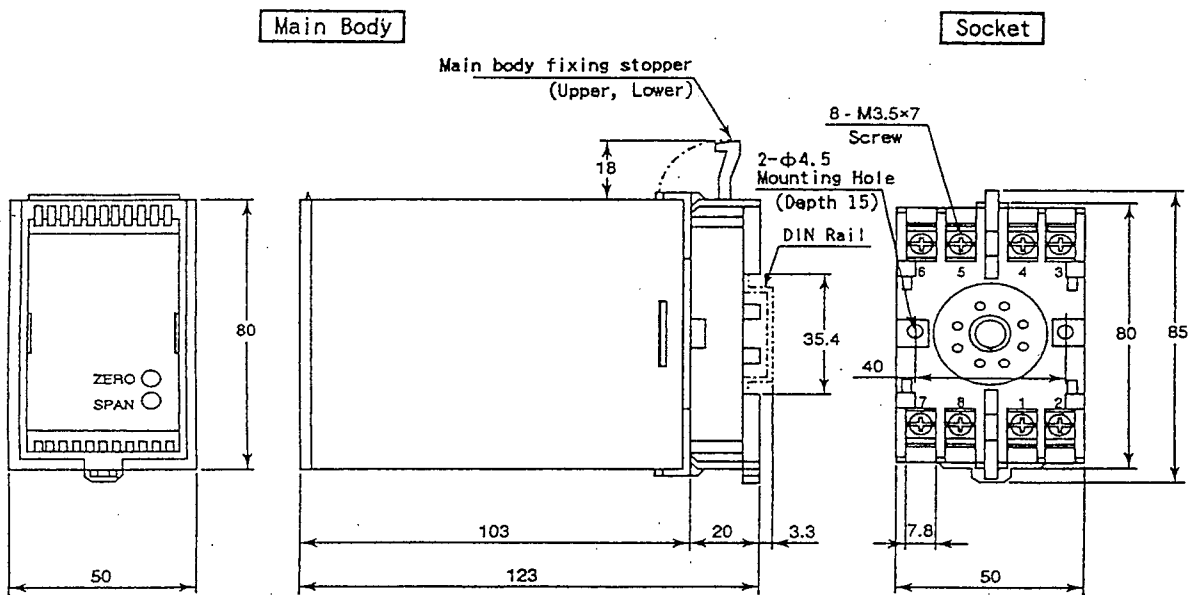
1	OUTPUT (+)
2	OUTPUT (-)
3	INPUT (V)
4	INPUT (±)
5	
6	GND (G)
7	SUPPLY (L+)
8	SUPPLY (N-)

BLOCK DIAGRAM



EXTERNAL DIMENSION

Unit : mm



Subject to change without notice for grade up quality and performance