

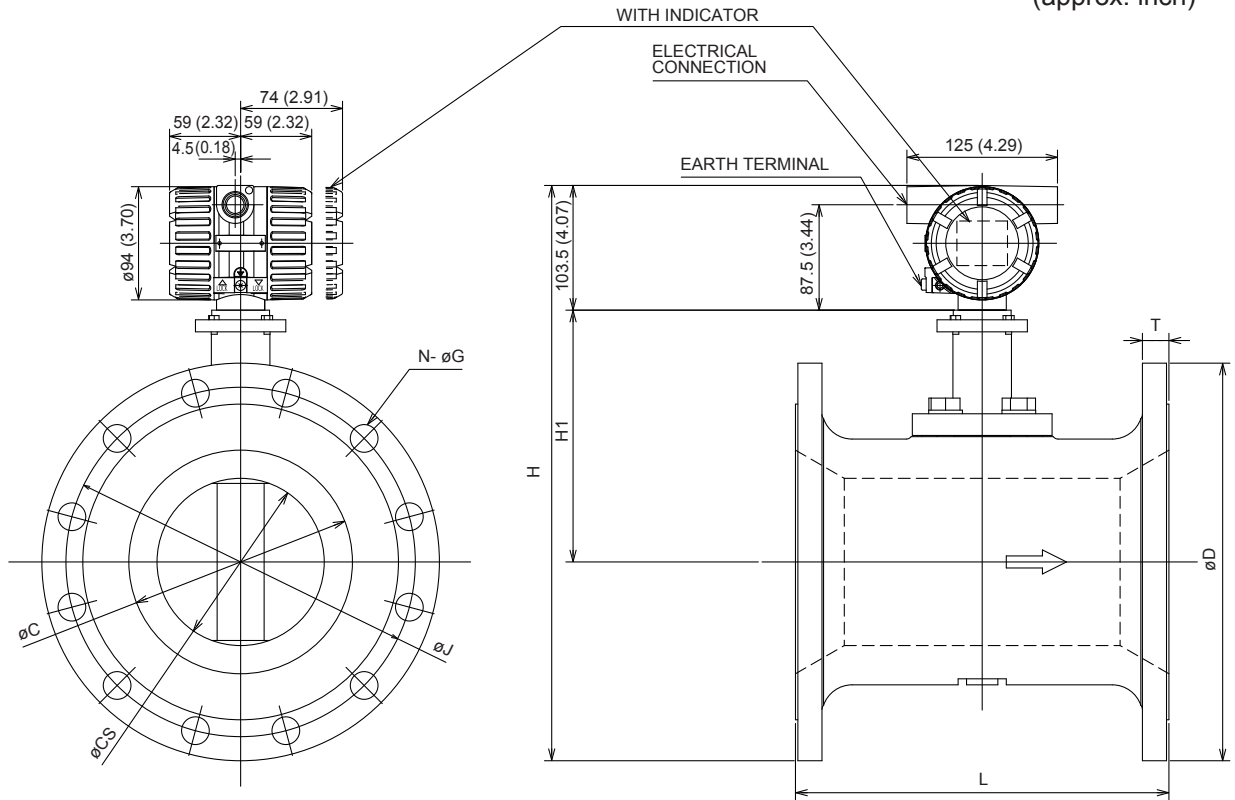
Drawings

digitalYEWFLO Series Vortex Flowmeter
Reduced Bore Type (/R1)
Integral / Remote, Flange
[DY200]

digitalYEWFLO

SD 01F06A00-11EN

Unit : mm
(approx. inch)



TYPE	INTEGRAL/REMOTE			
MODEL CODE	DY200/R1			
PROCESS CONNECTION	BJ1	BJ2	BA1 BS1	BA2 BS2
L	310 (12.20)			
C	185.6 (7.31)			
CS	138.8 (5.46)			
D	330 (12.99)	350 (13.78)	342.9 (13.50)	381 (15.00)
H	Shedder Bar Material: L, E, X	477.5 (18.80)	487.5 (19.19)	484 (19.06)
	Shedder Bar Material: B	484.5 (19.07)	494.5 (19.47)	491 (19.33)
H1	Shedder Bar Material: L, E, X	209 (8.23)		
	Shedder Bar Material: B	216 (8.50)		
T	22 (0.87)	30 (1.18)	28.4 (1.12)	41.1 (1.62)
J	290 (11.42)	305 (12.01)	298.5 (11.75)	330.2 (13.00)
N	12	12	8	12
G	23 (0.91)	25 (0.98)	22.4 (0.88)	25.4 (1.00)
WEIGHT kg (lb)	58.7 (129.4)	74.1 (163.4)	70.7 (155.9)	102.9 (226.9)

(Note 1) Integral weight is the same as Remote.
(Note 2) In case of with Indicator, add 0.2kg.
(Note 3) The flow direction is opposite (right to left when facing onto indicator) in case of code/CRC.

Terminal Wiring

Integral Type (BRAIN or HART protocol)	SUPPLY +	} Power Supply and 4 to 20mA DC Output Terminals
	-	
Integral Type (Foundation Fieldbus)	PULSE +	} Pulse Output Terminals
	-	
Remote Type Detector	SUPPLY +	} Fieldbus Communication Terminals
	SUPPLY -	
	T	Built-in Temperature Sensor Terminal
	A	} Signal Output Terminals
	B	
C	Common Terminal	
⊥	Grounding Terminal	

* Use DYC signal cable for remote type.
* T is used for /MV only.

