


Rosemount 8700 NEPSI Zone-1 Code EN – Approval Document



Rosemount 8705-W and 8711-R/U Magnetic Flowmeter

Order Code	8732EM Transmitter Rating	8705-W and 8711-R/U Flowtube Rating	Region	Agency	Certification Number
EN	NEPSI Flameproof with Increased Safety	NEPSI Increased Safety with Intrinsically Safe Electrodes	China	NEPSI	GYJ17.1493X GYJ15.1180X

Approval Markings and Logos

Symbol	Marking or Symbol Name	Region	Meaning of Marking or Symbol
	NEPSI	China	Compliance with all of the applicable technical regulations of China.

Certifications

NEPSI

8732EM Transmitter

Note: For Intrinsically Safe (IS) 4-20mA and Pulse Outputs on the 8732EM, output code "B" must be selected.
For Intrinsically Safe (IS) Fieldbus Outputs on the 8732EM, output code "F" must be selected.
For Intrinsically Safe (IS) Profibus Outputs on the 8732EM, output code "P" must be selected.

EN Ex d e [ia Ga] IIC T3~T6 Gb
Ex d [ia Ga] IIC T3~T6 Gb
[Ex ia Ga] IIC
-40°C ≤ Ta ≤ 60°C
Enclosure Type 4X, IP66
Install per drawing 08732-2063

Special Conditions for Safe Use (X):

1. Units marked with "Warning: Electrostatic Charging Hazard" may either use non-conductive paint thicker than 0.2 mm or non-metallic labeling. Precautions shall be taken to avoid ignition due to electrostatic charge on the enclosure.
2. The intrinsically safe outputs cannot withstand the 500V isolation test due to integral transient protection. This must be taken into consideration upon installation.
3. Conduit entries must be installed to maintain the enclosure ingress rating of IP66.
4. Unused conduit entries must use either used the Rosemount-supplied blanking plugs, or blanking plugs certified in accordance with the protection type.

8705-W and 8711-R/U Flowtube

Note: When used in hazardous (classified) locations:
The 8705-W and 8711-R/U may only be used with a certified 8732EM transmitter.

EN Ex e ib IIC T3~T6 Gb
-29°C ≤ Ta ≤ 60°C
Enclosure Type 4X, IP66/68 (IP68 remote mount only)
Install per drawing 08732-2063

Special Conditions for Safe Use (X):

1. Units marked with "Warning: Electrostatic Charging Hazard" may either use non-conductive paint thicker than 0.2 mm or non-metallic labeling. Precautions shall be taken to avoid ignition due to electrostatic charge on the enclosure.
2. If used with flammable process fluid, the electrode circuit must be installed as intrinsically safe (Ex ia).
3. Conduit entries must be installed to maintain a minimum enclosure ingress rating of IP66.
4. Unused conduit entries must use either used the Rosemount-supplied blanking plugs, or blanking plugs certified in accordance with the protection type.

**HAZARDOUS (Ex) LOCATION CONTROL AND INSTALLATION DRAWING
 MODEL 8732EM MAGNETIC FLOWTUBE TRANSMITTER
 MODEL 8705-W AND 8711-R/U MAGNETIC FLOWTUBES**

REVISION TABLE			
REVISION	ECO NO.	APP'D	DATE
AC	1126471	S.D.	9/9/19
DESCRIPTION			
UPDATE NOTES ADD I.S. FIELD BUS AND PROFIBUS OUTPUTS ADD 8711 SMALL LINE SIZE PROCESS TEMP INFO			

TABLE OF CONTENTS	
PAGE	TITLE
2	GAS ENVIRONMENT - EPL Gb SENSOR WITH ALLOWED INTEGRAL MOUNT EPL Gb TRANSMITTERS
3	GAS ENVIRONMENT - EPL Gb SENSOR WITH ALLOWED REMOTE MOUNT EPL Gb TRANSMITTERS
4	GAS ENVIRONMENT - EPL Gb SENSOR TEMPERATURE CODE VS. PROCESS TEMPERATURE
5	GAS ENVIRONMENT - 8732EM OUTPUT WIRING

! WARNING: EXPLOSION HAZARD - PRODUCT INSTALLATION SHALL COMPLY WITH INFORMATION AS STATED IN THIS DOCUMENT.

1. WIRING METHOD SUITABLE FOR APPROPRIATE ZONE AND PROTECTION TYPE.
2. TRANSMITTER MUST NOT BE CONNECTED TO EQUIPMENT GENERATING MORE THAN 250V.
3. COMPONENTS REQUIRED TO HAVE HAZARDOUS (Ex) LOCATION APPROVAL MUST BE APPROVED FOR THE GAS GROUP APPROPRIATE TO AREA CLASSIFICATION.
4. SEAL APPROVED FOR USE IN APPROPRIATE ZONE AND GAS GROUP.
5. THE INTRINSICALLY SAFE 4-20mA AND DIGITAL OUTPUTS MUST USE TWISTED PAIR WITH AN INDIVIDUAL SHIELD FOR THE PAIR. IT IS ALSO RECOMMENDED TO USE SHIELDED TWISTED PAIR FOR THE PULSE OUTPUT.
6. INSTALLATION SHOULD BE IN ACCORDANCE WITH LOCAL AND NATIONAL ELECTRICAL CODE, EN 60079-14 OR IEC 60079-14 "ELECTRICAL INSTALLATIONS DESIGN, SELECTION, AND ERECTION".
7. CONTROL EQUIPMENT CONNECTED TO BARRIER MUST NOT USE OR GENERATE MORE THAN 250V.
8. ASSOCIATED APPARATUS MANUFACTURER'S INSTALLATION DRAWING MUST BE FOLLOWED WHEN INSTALLING THIS EQUIPMENT.
9. THE TRANSMITTER IS NOT CAPABLE OF PASSING THE 500V ISOLATION TEST ON TERMINALS 1-10 DUE TO INTEGRAL TRANSIENT PROTECTION. THIS MUST BE TAKEN INTO ACCOUNT UPON INSTALLATION.
10. FOR ALL INSTALLATIONS MAXIMUM TERMINAL TIGHTENING TORQUE IS 10.6 IN LBS.
11. DI/DO TERMINALS ARE NOT POPULATED. THE DI/DO OPTION (AX) IS NOT AVAILABLE WITH INTRINSICALLY SAFE OUTPUTS.
12. TRANSMITTER OUTPUTS ARE CONSIDERED INTRINSICALLY SAFE WHEN INSTALLED IN ACCORDANCE TO INTRINSICALLY SAFE CONCEPTS AND INSTALLATION REQUIREMENTS WITHIN THIS DOCUMENT.
13. CONDUIT ENTIRES MARKED "M20" ARE M20 X 1.5 THREAD FORM.

NOTES:

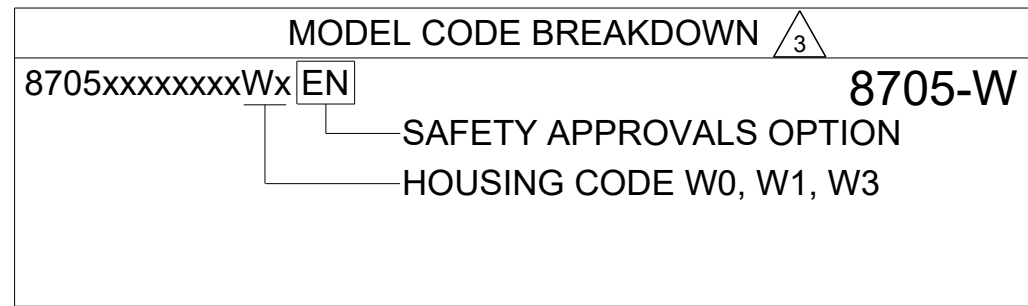
DRAWING NO. 08732-2063

CONFIDENTIAL AND PROPRIETARY INFORMATION IS CONTAINED HEREIN AND MUST BE HANDLED ACCORDINGLY.	SURFACE FINISH UNLESS OTHERWISE SPECIFIED	125	3RD ANGLE		SIZE	SCALE	REV
UNLESS OTHERWISE SPECIFIED DIMENSIONS IN INCHES [mm]. REMOVE ALL BURRS AND SHARP EDGES.	EMERSON			ROSEMOUNT			
-DEC TOLERANCES- .X ± .1 [2.5] .XX ± .02 [0.5] .XXX ± .010 [0.25]	TITLE			INSTALLATION DRAWING NEPSI HAZARDOUS (Ex) LOCATIONS			
FRACTIONS ± 1/32	ANGLES ± 2'	DR. N. BOND	11/21/17	DRAWING NO.	08732-2063		
DO NOT SCALE PRINT	CAD MAINTAINED, (PRO/E)	PRODUCT CODE	DOC TYPE	SHEET 1 OF 5			

GAS ENVIRONMENT- EPL Gb SENSOR WITH ALLOWED INTEGRAL MOUNT EPL Gb TRANSMITTERS

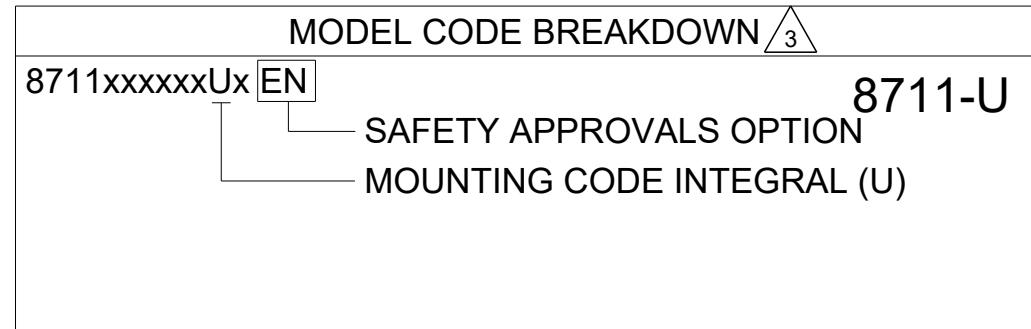
Ex e SENSOR INTEGRAL MOUNT CONFIGURATIONS

MODEL 8705-W INTEGRAL MOUNT CONFIGURATION WITH SAFETY APPROVALS OPTION 'EN'



Ex e ib IIC T3~T6 Gb
 EPL Gb, FOR USE IN HAZARDOUS (Ex) AREA - ZONE 1 OR 2 WITH CARBON STEEL HOUSING: (-20°C ≤ Ta ≤ 60°C)
 SEE TABLE 1 OR TABLE 3 FOR PROCESS TEMPERATURE LIMITS AND ALLOWED MOUNTING CONFIGURATIONS

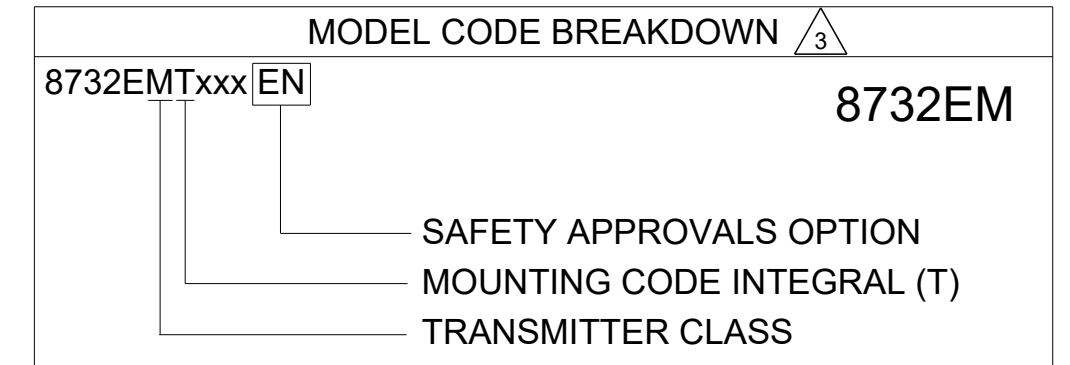
MODEL 8711-U INTEGRAL MOUNT CONFIGURATION WITH SAFETY APPROVALS OPTION 'EN'



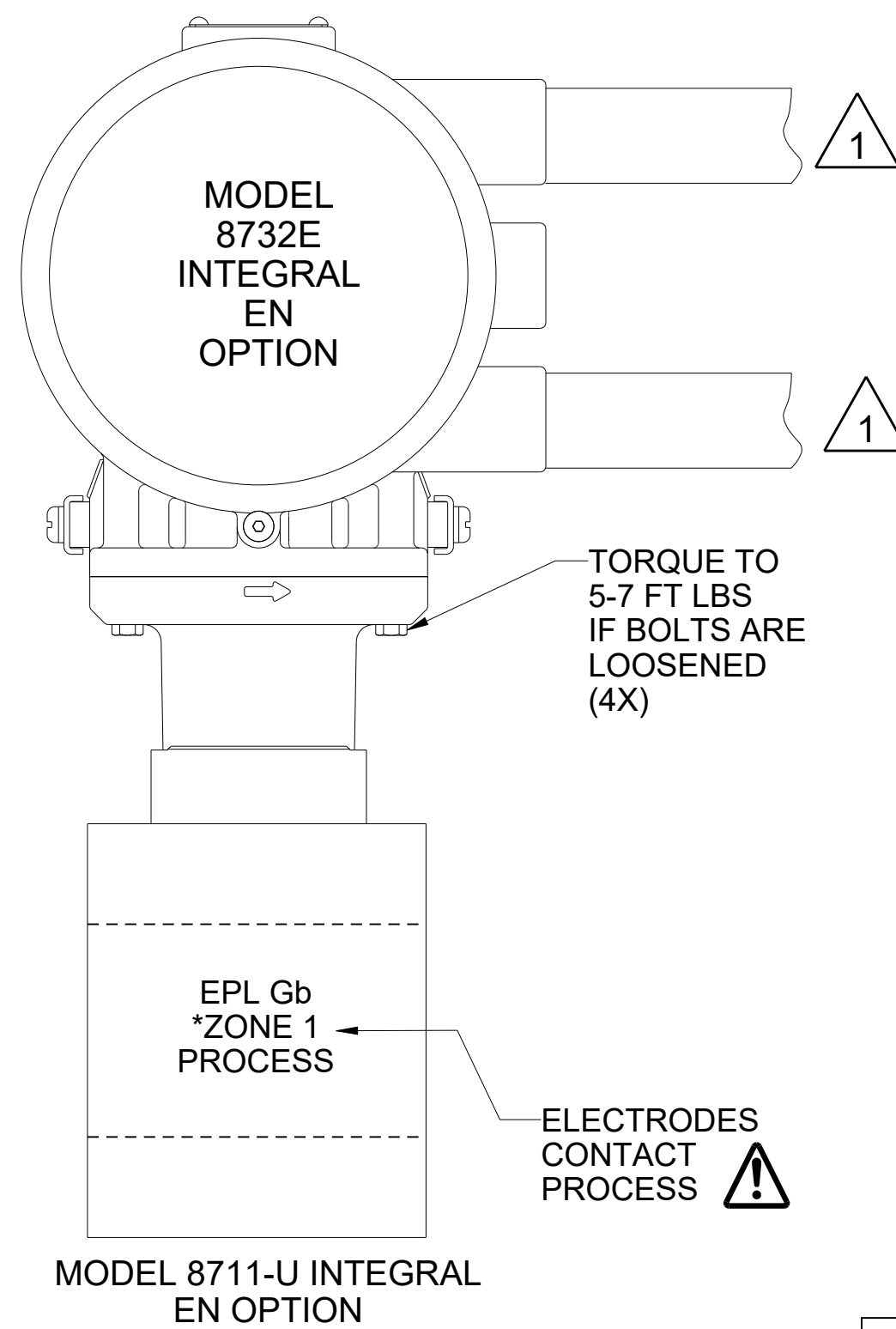
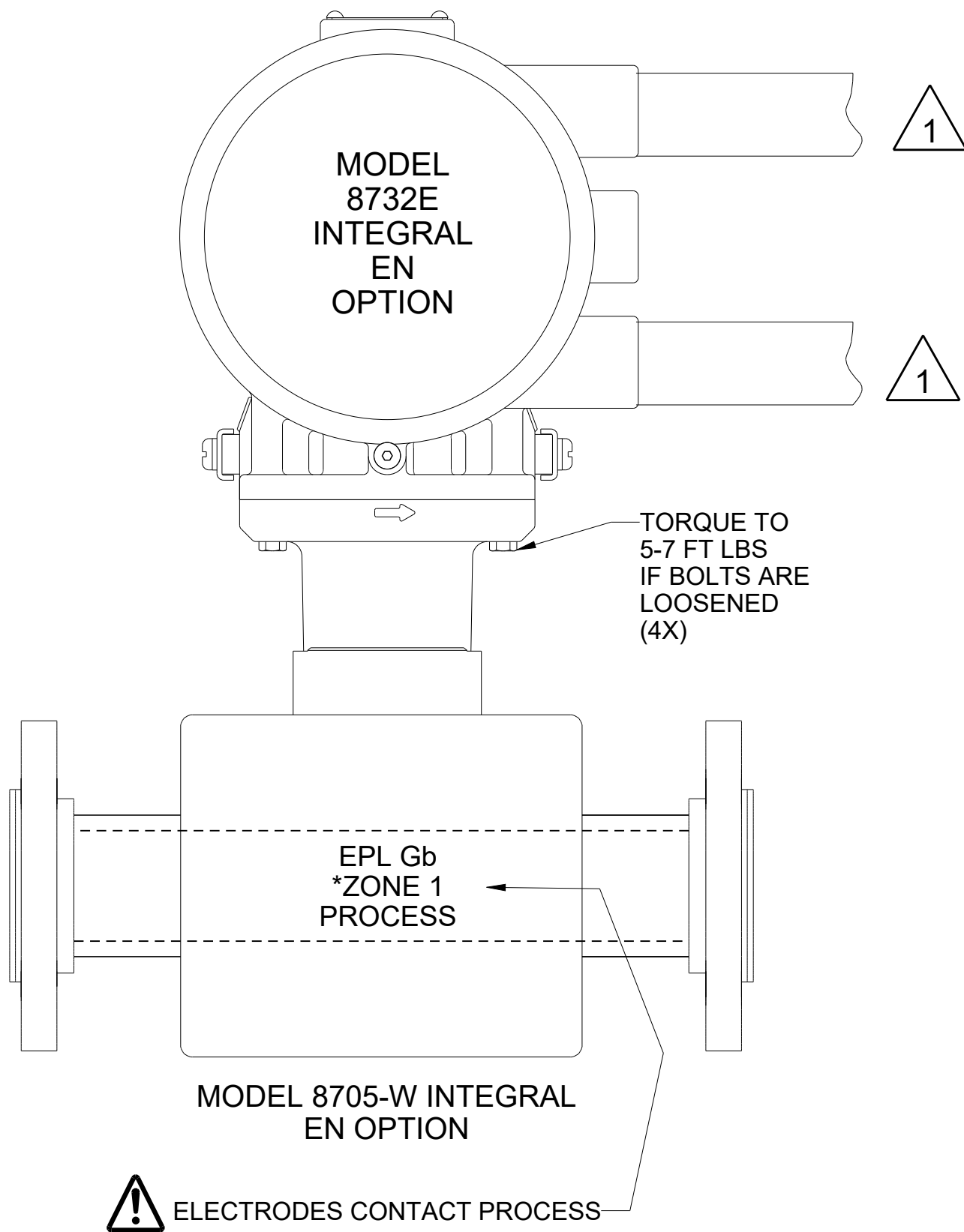
Ex e ib IIC T3~T6 Gb
 EPL Gb, FOR USE IN HAZARDOUS (Ex) AREA - ZONE 1 OR 2 WITH CARBON STEEL HOUSING: (-20°C ≤ Ta ≤ 60°C)
 SEE TABLE 2 OR TABLE 3 FOR PROCESS TEMPERATURE LIMITS AND ALLOWED MOUNTING CONFIGURATIONS

ALLOWED INTEGRAL MOUNT TRANSMITTER CONFIGURATIONS

MODEL 8732EM INTEGRAL MOUNT CONFIGURATION WITH SAFETY APPROVAL OPTION 'EN'



Ex d eb [ia] IIC T3~T6 Gb
 EPL Gb, FOR USE IN ZONE 1 OR 2
 SEE TABLE 1 OR TABLE 2 FOR TEMPERATURE CLASS
 FLAMEPROOF ELECTRONICS HOUSING, INCREASED SAFETY
 TERMINAL BLOCK WITH INTRINSICALLY SAFE ELECTRODE OUTPUT



* TYPICAL APPLICATION. CONSULT LOCAL HAZARDOUS AREA (Ex) ZONING FOR PROCESS FLUID CLASSIFICATION.

CONFIDENTIAL AND PROPRIETARY INFORMATION IS CONTAINED HEREIN AND MUST BE HANDLED ACCORDINGLY.	SURFACE FINISH UNLESS OTHERWISE SPECIFIED	125	3RD ANGLE		SIZE C	SCALE -	REV AC
UNLESS OTHERWISE SPECIFIED DIMENSIONS IN INCHES [mm]. REMOVE ALL BURRS AND SHARP EDGES.							
-DEC TOLERANCES- .X ± .1 [2.5] .XX ± .02 [0.5] .XXX ± .010 [0.25]							
FRACTIONS ± 1/32				ANGLES ± 2°			
DO NOT SCALE PRINT		CAD MAINTAINED, (PRO/E)		PRODUCT CODE		DOC TYPE SHEET 2 OF 5	



ROSEMOUNT

INSTALLATION DRAWING
NEPSI HAZARDOUS (Ex) LOCATIONS

DR. N. BOND	11/21/17	DRAWING NO. 08732-2063
APP'D	-	

DRAWING NO. 08732-2063

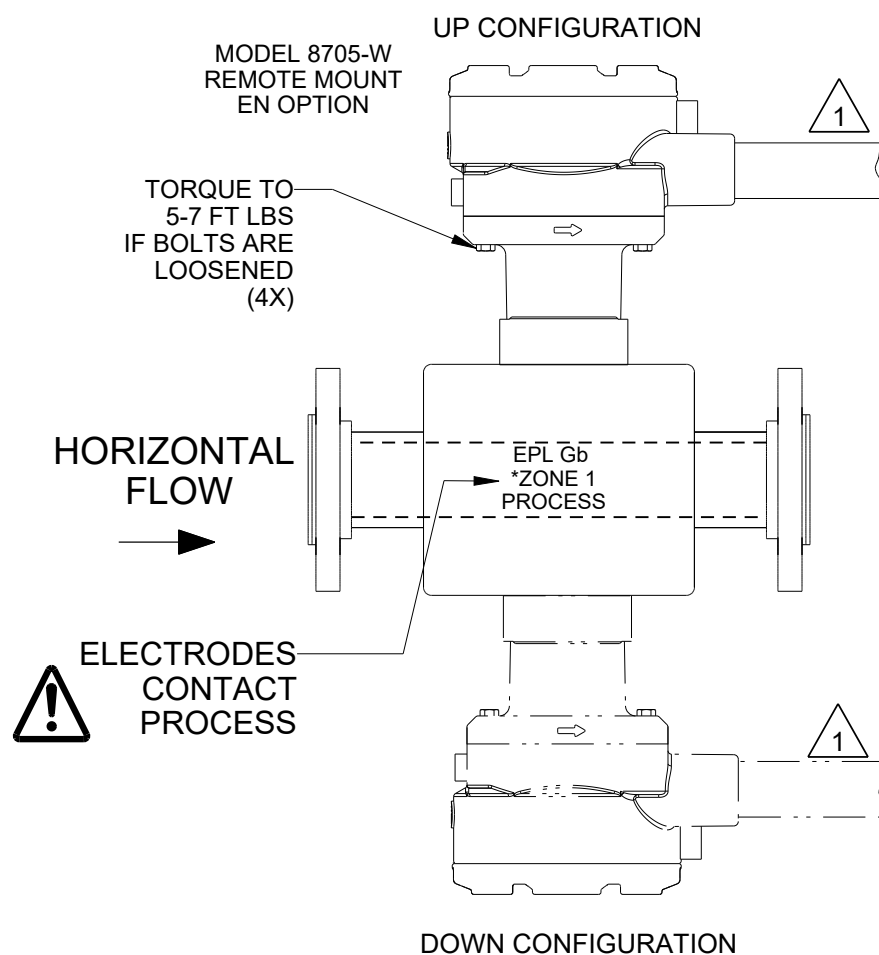
GAS ENVIRONMENT - EPL Gb SENSOR WITH ALLOWED REMOTE MOUNT EPL Gb TRANSMITTERS

Ex e SENSOR REMOTE MOUNT CONFIGURATIONS

**MODEL 8705-W REMOTE CONFIGURATION
WITH SAFETY APPROVALS OPTION 'EN'**

MODEL CODE BREAKDOWN 3	
8705xxxxxxxWxEN	8705-W
<div style="display: flex; justify-content: space-between;"> <div style="width: 40%;"> <p>SAFETY APPROVALS OPTION</p> <p>HOUSING CODE W0, W1, W3</p> </div> <div style="width: 50%; text-align: right;"> <p>8705-W</p> </div> </div>	

Ex e ib IIC T3~T6 Gb
EPL Gb, FOR USE IN HAZARDOUS (Ex) AREA - ZONE 1 OR 2
WITH CARBON STEEL HOUSING: $(-20^{\circ}\text{C} \leq T_a \leq 65^{\circ}\text{C})$
SEE TABLE 3 FOR PROCESS TEMPERATURE
LIMITS AND ALLOWED MOUNTING CONFIGURATIONS

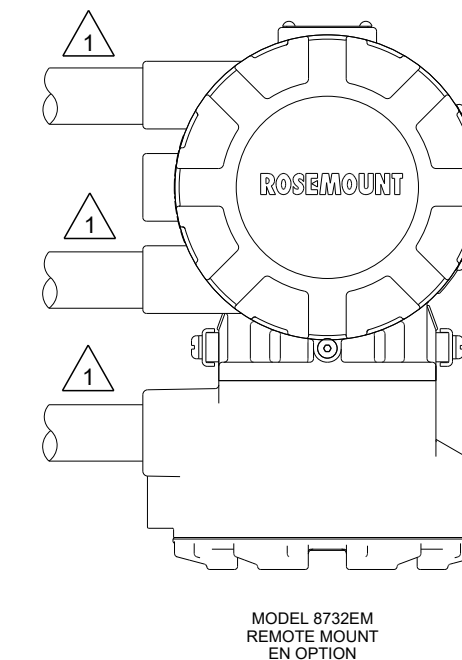


ALLOWED REMOTE MOUNT TRANSMITTER CONFIGURATIONS

**MODEL 8732EM REMOTE MOUNT CONFIGURATION
WITH SAFETY APPROVAL OPTION 'EN'**

MODEL CODE BREAKDOWN 3	
8732EMRxxxEN	8732EM
<div style="display: flex; justify-content: space-between;"> <div style="width: 40%;"> <p>SAFETY APPROVALS OPTION</p> <p>MOUNTING CODE REMOTE (R)</p> <p>TRANSMITTER CLASS</p> </div> <div style="width: 50%; text-align: right;"> <p>8732EM</p> </div> </div>	

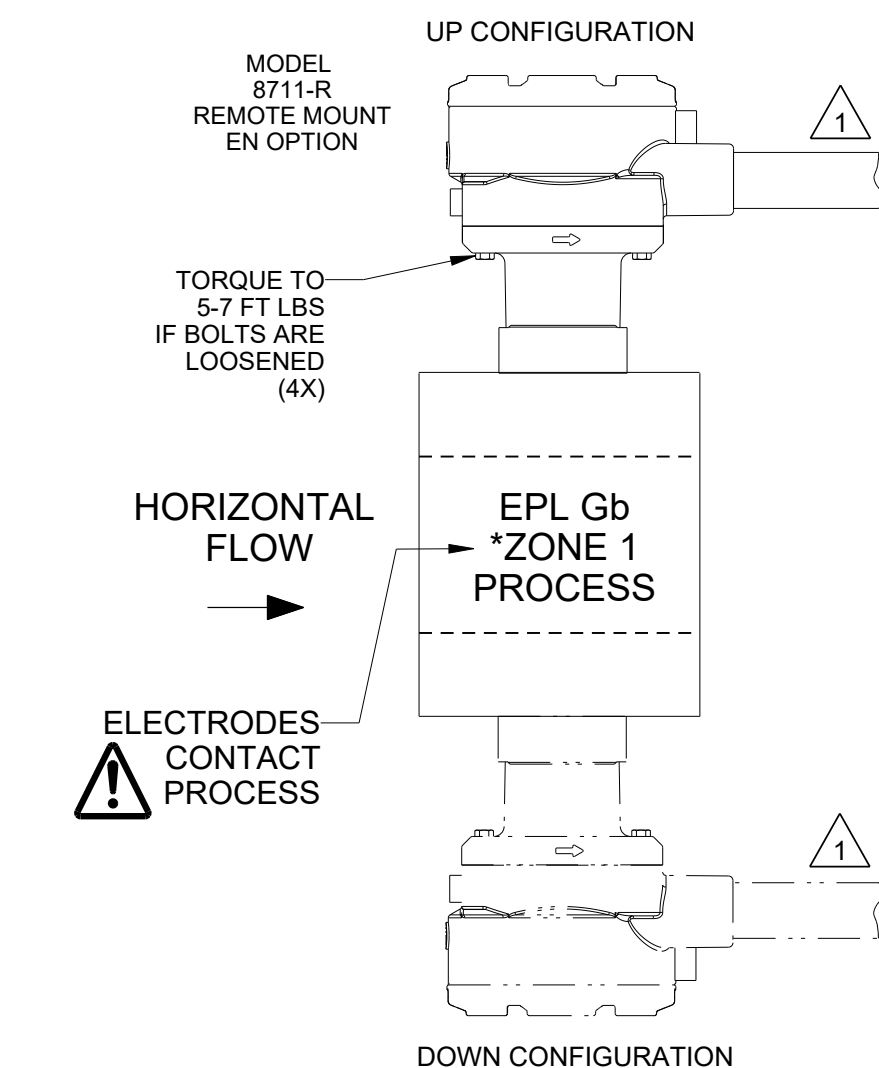
Ex d eb [ia] IIC T3~T6 Gb
EPL Gb, FOR USE IN ZONE 1 OR 2
TEMPERATURE CLASS EPL Gb: T6 $(-50^{\circ}\text{C} \leq T_a \leq 60^{\circ}\text{C})$
FLAMEPROOF ELECTRONICS HOUSING, INCREASED SAFETY
TERMINAL BLOCK WITH INTRINSICALLY SAFE ELECTRODE
OUTPUT, INCREASED SAFETY REMOTE JUNCTION BOX



**MODEL 8711-R REMOTE CONFIGURATION
WITH SAFETY APPROVALS OPTION 'EN'**

MODEL CODE BREAKDOWN 3	
8711xxxxxxRxEN	8711-R
<div style="display: flex; justify-content: space-between;"> <div style="width: 40%;"> <p>SAFETY APPROVALS OPTION</p> <p>MOUNTING CODE REMOTE (R)</p> </div> <div style="width: 50%; text-align: right;"> <p>8711-R</p> </div> </div>	

Ex e ib IIC T3~T6 Gb
EPL Gb, FOR USE IN HAZARDOUS (Ex) AREA - ZONE 1 OR 2
WITH CARBON STEEL HOUSING: $(-20^{\circ}\text{C} \leq T_a \leq 65^{\circ}\text{C})$
SEE TABLE 3 FOR PROCESS TEMPERATURE LIMITS
AND ALLOWED MOUNTING CONFIGURATIONS



* TYPICAL APPLICATION. CONSULT LOCAL HAZARDOUS AREA (Ex) ZONING FOR PROCESS FLUID CLASSIFICATION.

CONFIDENTIAL AND PROPRIETARY INFORMATION IS CONTAINED HEREIN AND MUST BE HANDLED ACCORDINGLY.	SURFACE FINISH UNLESS OTHERWISE SPECIFIED	125	3RD ANGLE		SIZE	SCALE	REV
					C	-	AC
<p>UNLESS OTHERWISE SPECIFIED DIMENSIONS IN INCHES [mm]. REMOVE ALL BURRS AND SHARP EDGES.</p> <p style="font-size: 12px; font-weight: bold;">EMERSON</p> <p style="font-size: 14px; font-weight: bold;">ROSEMOUNT</p>							
<p style="font-size: 16px; font-weight: bold;">TITLE</p> <p style="font-size: 18px; font-weight: bold;">INSTALLATION DRAWING</p> <p style="font-size: 16px; font-weight: bold;">NEPSI HAZARDOUS (Ex) LOCATIONS</p>							
-DEC TOLERANCES-		FRACTIONS		ANGLES		DRAWING NO.	
.X ± .1 [2.5]	.XX ± .02 [0.5]	± 1/32	± 2'	N. BOND		11/21/17	
DO NOT SCALE PRINT		CAD MAINTAINED, (PRO/E)		PRODUCT CODE		DOC TYPE	
						08732-2063	
						SHEET 3 OF 5	

DRAWING NO. 08732-2063

GAS ENVIRONMENT - EPL Gb SENSOR TEMPERATURE CODE VS. PROCESS TEMPERATURE

TABLE 1 - 8705-W: WITH INTEGRAL MOUNT 8732EM TRANSMITTER
TEMPERATURE CODE VS. PROCESS TEMPERATURE
AT RATED MAXIMUM AMBIENT TEMPERATURE OF 60°C

Line Size	Maximum Process Temperature (°C)	Temperature Code	Transmitter Mounting
0.5"	60	T5	Integral
	120	T4	Integral
1"	60	T5	Integral
	120	T4	Integral
1.5"	60	T5	Integral
	105	T4	Integral
2"	60	T5	Integral
	105	T4	Integral
2.5"	60	T4	Integral
3"	60	T5	Integral
4"	60	T5	Integral
5"	60	T5	Integral
6"	60	T5	Integral
8-36"	60	T5	Integral

TABLE 2 - 8711-U WITH INTEGRAL MOUNT 8732EM TRANSMITTER
TEMPERATURE CODE VS. PROCESS TEMPERATURE
AT RATED MAXIMUM AMBIENT TEMPERATURE OF 60°C

Line Size	Maximum Process Temperature (°C)	Temperature Code	Transmitter Mounting
< 1.5"	60	T4	Integral
1.5"	60	T5	Integral
2"	60	T5	Integral
3"	60	T4	Integral
4"	60	T5	Integral
6"	60	T5	Integral
8"	60	T5	Integral

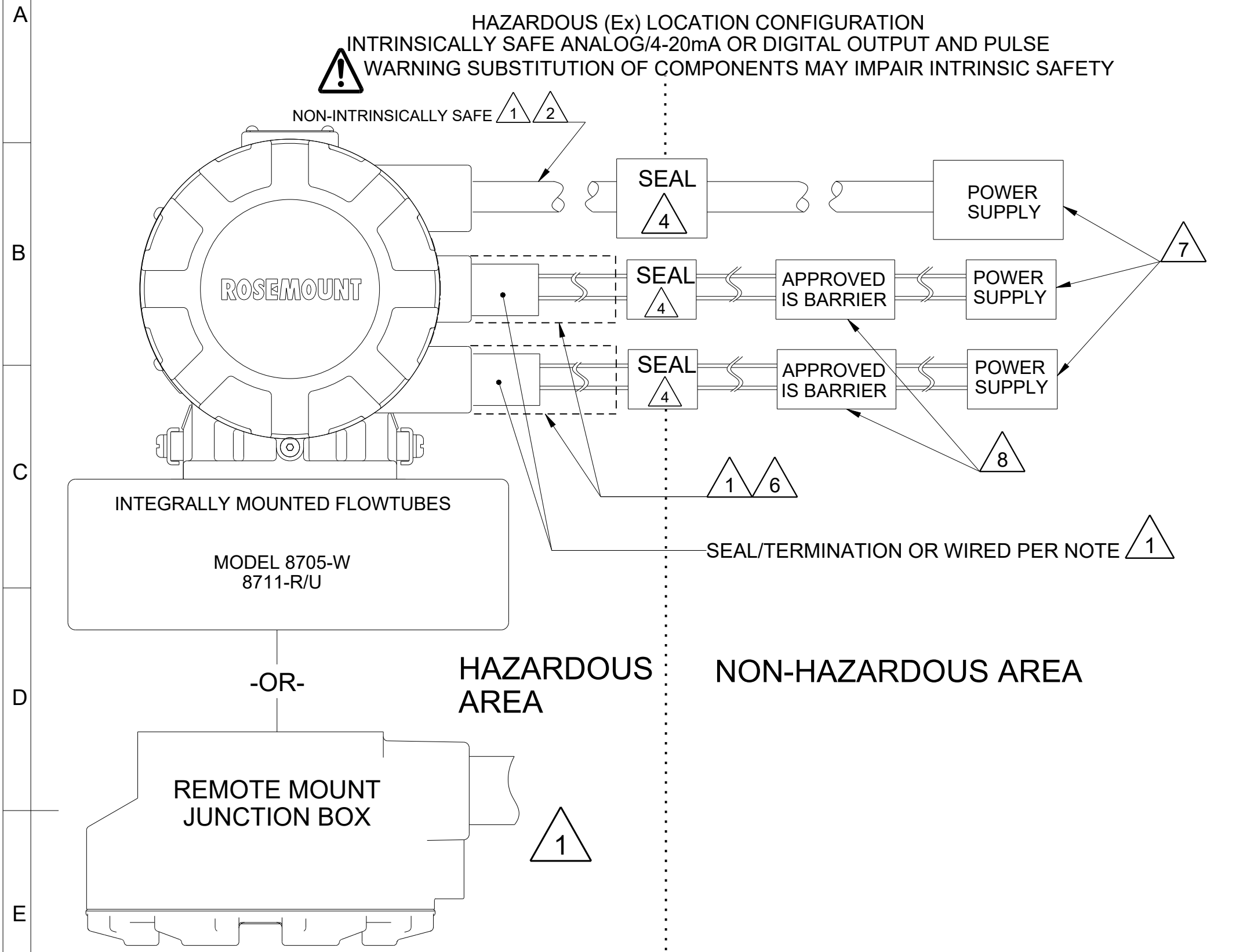
TABLE 3 - 8705W AND 8711-R REMOTE SENSORS
TEMPERATURE CODE VS. PROCESS TEMPERATURE AT STATED AMBIENT TEMPERATURE

Line Size	T3		T4		T5		T6	
	Ambient	Process	Ambient	Process	Ambient	Process	Ambient	Process
≤ 0.5"	65	115	-	-	-	-	-	-
1"	65	120	35	35	-	-	-	-
1.5"	65	125	60	60	-	-	-	-
2"	65	125	65	75	40	40	-	-
2.5"	65	130	65	90	55	55	40	40
3"	65	130	65	90	55	55	40	40
4"	65	130	65	90	55	55	40	40
5"	65	130	65	90	55	55	40	40
6"	65	135	65	110	65	75	60	60
8"-36"	65	140	65	115	65	80	65	65

DRAWING NO. 08732-2063

CONFIDENTIAL AND PROPRIETARY INFORMATION IS CONTAINED HEREIN AND MUST BE HANDLED ACCORDINGLY.	SURFACE FINISH UNLESS OTHERWISE SPECIFIED	125°	3RD ANGLE		SIZE C	SCALE -	REV AC	
UNLESS OTHERWISE SPECIFIED DIMENSIONS IN INCHES [mm]. REMOVE ALL BURRS AND SHARP EDGES.								
-DEC TOLERANCES- .X ± .1 [2.5] .XX ± .02 [0.5] .XXX ± .010 [0.25]	TITLE INSTALLATION DRAWING NEPSI HAZARDOUS (Ex) LOCATIONS							
FRACTIONS ± 1/32 ANGLES ± 2°	DR. N. BOND	11/21/17	DRAWING NO. 08732-2063					APP'D -
DO NOT SCALE PRINT	CAD MAINTAINED, (PRO/E)	PRODUCT CODE	DOC TYPE	SHEET 4 OF 5				

GAS ENVIRONMENT - 8732EM OUTPUT WIRING



WHEN CONNECTED IN ACCORDANCE WITH THIS DOCUMENT, THE ROSEMOUNT MODEL 8732EM WITH INTEGRAL MOUNT FLOWTUBE OR REMOTE-MOUNT JUNCTION BOX IS APPROVED AS:

8732EM SAFETY APPROVAL OPTIONS CODE	RATINGS
EN	Ex d eb [ia Ga] FLAMEPROOF/INCREASED SAFETY
EN	Ex d eb [ia Ga] FLAMEPROOF/INCREASED SAFETY WITH INTRINSICALLY SAFE OUTPUTS

MODEL CODE BREAKDOWN

8732EMxxxAx EN

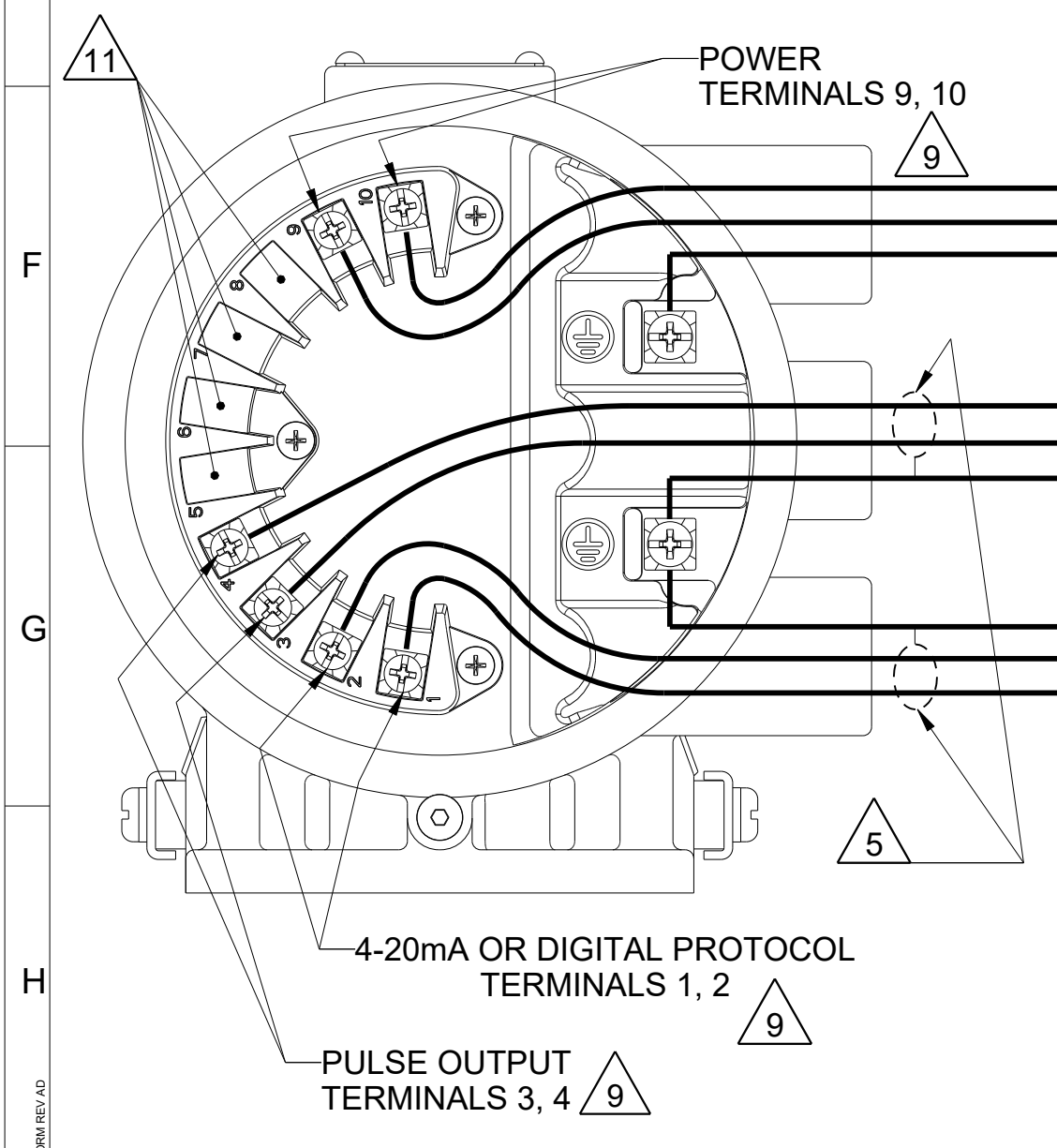
B
F
M
P

COMMUNICATION OUTPUT OPTIONS

A	NON-INTRINSICALLY SAFE 4-20 mA
B	INTRINSICALLY SAFE 4-20mA AND PULSE OUTPUT
F	INTRINSICALLY SAFE FOUNDATION FIELDBUS AND PULSE OUTPUT
M	NON-INTRINSICALLY SAFE MODBUS AND PULSE OUTPUT
P	INTRINSICALLY SAFE PROFIBUS AND PULSE OUTPUT

SAFETY APPROVALS OPTION

TRANSMITTER CLASS



ENTITY CONCEPT FOR INTRINSICALLY SAFE OUTPUTS

AC INPUT POWER 90-250 VAC RMS, 50/60Hz
DC INPUT POWER 12-42 VDC OR 12-30 VDC
DC LOW POWER 12-30VDC

$U_m = 250V$

PULSE OUTPUT	
ENTITY PARAMETERS	BARRIER PARAMETERS
$U_i=28V$	U_o MUST BE LESS THAN OR EQUAL TO 28V
$i_i=100mA$	i_o MUST BE LESS THAN OR EQUAL TO 100mA
$C_i=4.5nF$	C_o MUST BE GREATER THAN THE SUM OF C_i+C_{cable}
$L_i=0.0uH$	L_o MUST BE GREATER THAN THE SUM OF L_i+L_{cable}
$P_i=1.0W$	P_o MUST BE LESS THAN OR EQUAL TO 1.0 WATTS

4-20mA ANALOG OUTPUT	
ENTITY PARAMETERS	BARRIER PARAMETERS
$U_i=30V$	U_o MUST BE LESS THAN OR EQUAL TO 30V
$i_i=300mA$	i_o MUST BE LESS THAN OR EQUAL TO 300mA
$C_i=924pF$	C_o MUST BE GREATER THAN THE SUM OF C_i+C_{cable}
$L_i=0.0uH$	L_o MUST BE GREATER THAN THE SUM OF L_i+L_{cable}
$P_i=1.0W$	P_o MUST BE LESS THAN OR EQUAL TO 1.0 WATTS

FOUNDATION FIELDBUS AND PROFIBUS DIGITAL OUTPUT	
ENTITY PARAMETERS	BARRIER PARAMETERS
$U_i=30V$	U_o MUST BE LESS THAN OR EQUAL TO 30V
$i_i=380mA$	i_o MUST BE LESS THAN OR EQUAL TO 380mA
$C_i=924pF$	C_o MUST BE GREATER THAN THE SUM OF C_i+C_{cable}
$L_i=0.0uH$	L_o MUST BE GREATER THAN THE SUM OF L_i+L_{cable}

THE ENTITY CONCEPT ALLOWS INTERCONNECTION OF ASSOCIATED APPARATUS AND INTRINSICALLY SAFE APPARATUS WHEN THE FOLLOWING IS TRUE: $U_o \leq U_i$, $i_o \leq i_i$, $P_o \leq P_i$, $C_o \geq C_i + C_{cable}$, $L_o \geq L_i + L_{cable}$

- DEFINITIONS:
- U_i = MAXIMUM INPUT VOLTAGE
 - i_i = MAXIMUM INPUT CURRENT
 - C_i = MAXIMUM INTERNAL CAPACITANCE
 - L_i = MAXIMUM INTERNAL INDUCTANCE
 - P_i = MAXIMUM INPUT POWER
 - U_o = OPEN CIRCUIT VOLTAGE OF THE BARRIER
 - i_o = SHORT CIRCUIT CURRENT OF THE BARRIER
 - C_o = MAXIMUM ALLOWED CAPACITANCE
 - L_o = MAXIMUM ALLOWED INDUCTANCE
 - P_o = MAXIMUM OUTPUT POWER

CONFIDENTIAL AND PROPRIETARY INFORMATION IS CONTAINED HEREIN AND MUST BE HANDLED ACCORDINGLY.	SURFACE FINISH UNLESS OTHERWISE SPECIFIED 125	3RD ANGLE	SIZE C	SCALE -	REV AC
UNLESS OTHERWISE SPECIFIED DIMENSIONS IN INCHES [mm]. REMOVE ALL BURRS AND SHARP EDGES.		ROSEMOUNT			
-DEC TOLERANCES-		EMERSON			
.X ± .1 [2.5]		TITLE INSTALLATION DRAWING			
.XX ± .02 [0.5]		NEPSI HAZARDOUS (Ex) LOCATIONS			
.XXX ± .010 [0.25]		DR. N. BOND 11/21/17 DRAWING NO. 08732-2063			
FRACTIONS ± 1/32	ANGLES ± 2'	APP'D	PRODUCT CODE	DOC TYPE	SHEET 5 OF 5

DRAWING NO. 08732-2063



00825-MA00-0007, Rev. AB
September 2019

Micro Motion Inc. USA

Worldwide Headquarters
7070 Winchester Circle
Boulder, Colorado USA 80301
T +1 303-527-5200
T +1 800-522-6277
F +1 303-530-8459
www.emerson.com

Micro Motion Europe

Emerson Automation Solutions
Neonstraat 1
6718 WX Ede
The Netherlands
T +31 (0) 318 495 555
T +31 (0) 70 413 6666
F +31 (0) 318 495 556
www.emerson.com/nl-nl

Micro Motion Asia

Emerson Automation Solutions
1 Pandan Crescent
Singapore 128461
Republic of Singapore
T +65 6363-7766
F +65 6770-8003

Micro Motion United Kingdom

Emerson Automation Solutions
Emerson Process Management Limited
Horsfield Way
Bredbury Industrial Estate
Stockport SK6 2SU U.K.
T +44 0870 240 1978
F +44 0800 966 181

©2019 Rosemount, Inc. All rights reserved.

The Emerson and Rosemount logos are trademarks and service marks of Emerson Electric Co. All other marks are property of their respective owners.

ROSEMOUNT™


EMERSON®