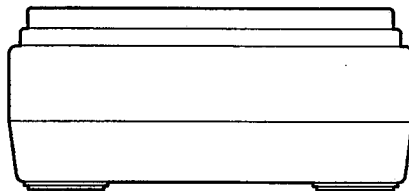
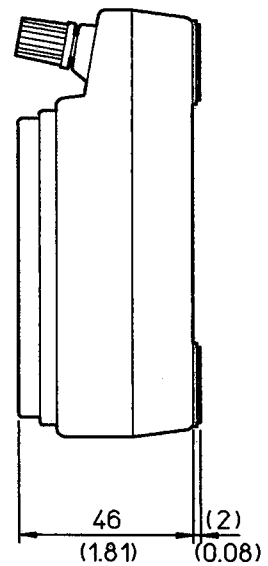
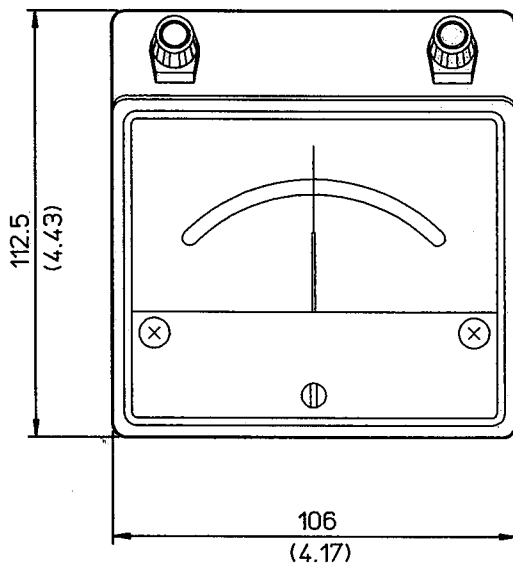


Unit : mm
(approx. inch)



Weight : Approx.0.35kg

If not specified, the tolerance is $\pm 3\%$. However, in cases of less than 10mm, the tolerance is $\pm 0.3\text{mm}$.