

General Specifications

Model PH10
Electrical to Pneumatic Converter

JUXTA

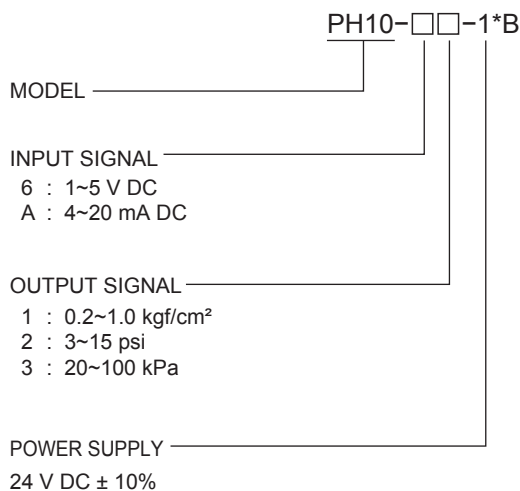
GS 77J10P10-01EN

■ GENERAL

This plug-in type Electrical to Pneumatic Converter receives 1~5 V DC or 4~20 mA DC electric signal and converts it into 20~100 kPa, 0.2~1.0 kgf/cm² or 3~15 psi pneumatic pressure signal.

- Compact type, high quality by using semiconductor pressure sensor.
- Positional error is less than $\pm 0.1\%$.
- Air Supply Unit to supply air in block is available.
- When 4~20 mA DC input, 250 Ω receiving resistor should be outer set.

■ MODEL AND SUFFIX CODES



F01.ai

■ ORDERING INFORMATION

- Model Code: (Example) PH10-61-1*B
- Custom order when use of direct connecting DCS type nest of P-Pack (Model X017 or X018). Put /Z at the end of Model Code. (Example) PH10-□□-1*B/Z

■ INPUT AND OUTPUT

Input signal: 1~5 V DC or 4~20 mA DC
(Outer set 250 Ω resistor)

Input resistance:
1 M Ω (1~5 V DC)
250 Ω (4~20 mA DC)

Output signal: 20~100 kPa, 0.2~1.0 kgf/cm² or 3~15 psi

Zero point adjust range: $\pm 5\%$ of span
Span adjust range: $\pm 5\%$ of span



■ STANDARD PERFORMANCE

Accuracy rating: $\pm 0.3\%$ of span
 $\pm 0.5\%$ of span when multi-close mounting

Max. air supply: 60 NI/min
Max. air exhaust: 60 NI/min

Insulation resistance: Over 100 M Ω (at 500 V DC)
between input~power supply and power supply~air supply block

Voltage withstand: 500 V AC/1 minute between input~power supply and power supply~air supply block

Temperature range: 0~50°C
Humidity range: 5~90% RH (no condensation)
Power voltage: 24 V DC $\pm 10\%$
Pneumatic pressure supply:
140 kPa $\pm 10\%$ (or 1.4 kgf/cm² $\pm 10\%$)

Effect of power voltage fluctuation: Less than $\pm 0.1\%$ of span for 24 V DC $\pm 10\%$ fluctuation

Effect of ambient temperature change: Less than $\pm 0.4\%$ of span for 10°C change

Effect of pneumatic pressure fluctuation: $\pm 0.1\%$ of span for fluctuation of 140 kPa $\pm 10\%$ ($\pm 0.1\%$ of span for fluctuation of 1.4 kgf/cm² $\pm 10\%$)

Effect of installation position: Less than $\pm 0.1\%$ of span for all directions

Current dissipation: 24 V DC 90 mA
Air dissipation: Less than 4 NI/min

■ MOUNTING AND DIMENSION

Materials: Case ABS plastic
Mounting method: Wall mounting
Signal Connection:
Electric Signal: Front terminal board (M4 screw) for both input signal and power supply
Pneumatic Signal: Air connection hole Rc 1/4 (PT 1/4) female screw at lower face of terminal board

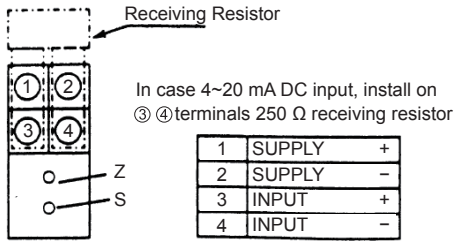
External dimension: 124 × 24 × 150 mm (H × W × D) including terminal

Weight: About 400 g

■ ACCESSORIES

Tag number label: 1

■ **TERMINAL ARRANGEMENT**



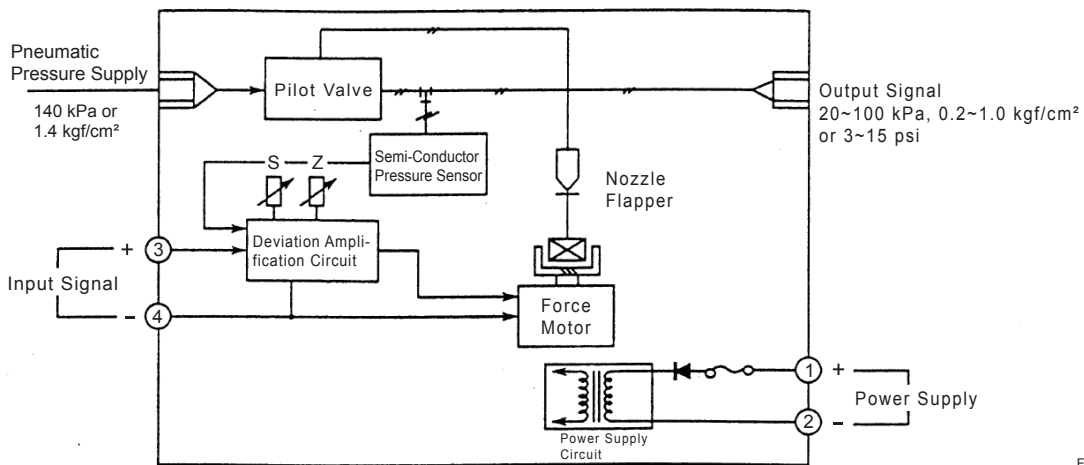
Z : Zero Adjust Trimmer
S : Span Adjust Trimmer

F02.ai

■ **RELATED EQUIPMENT**

- Air Supply Unit PPU-□□ is used for this transducer. Use PPU-01 for single unit mounting, PPU-08 for multi-mounting of less than 8 units and PPU-16 for multi-mounting of less than 16.
- In case of multi-close mounting, X019 Mounting Board is required in addition to Air Supply Unit.
- To connect the transducer to DCS, X017 P-Rack or X018 (connector connecting type nest) is required.

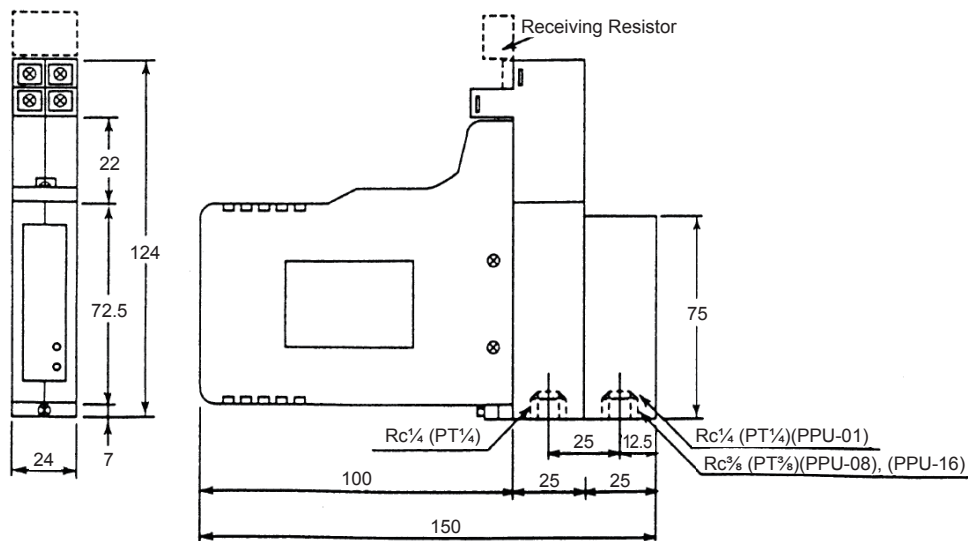
■ **BLOCK DIAGRAMS**



F03.ai

■ **EXTERNAL DIMENSIONS**

Unit: mm



F04.ai

■ MOUNTING DIMENSIONS

