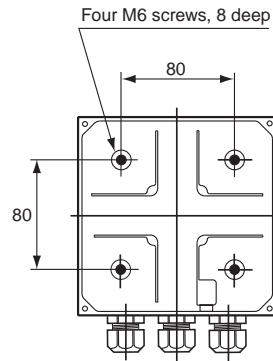
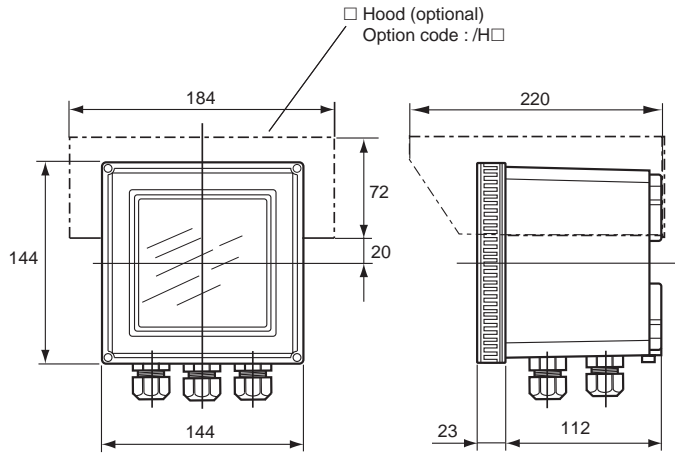


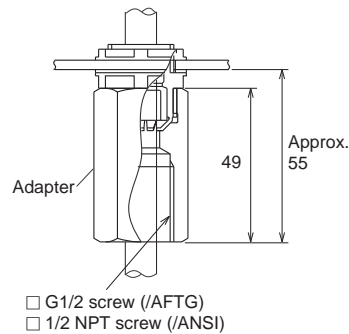
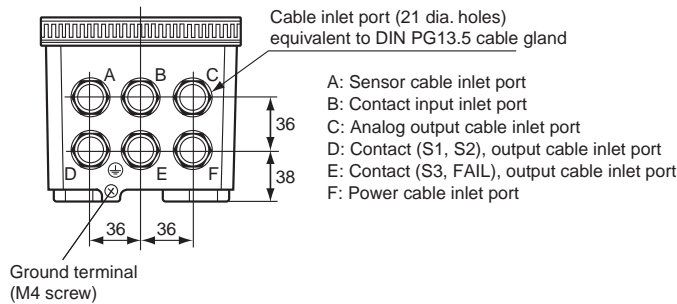
SS400G MLSS Converter [Style: S2.2]

Unit : mm

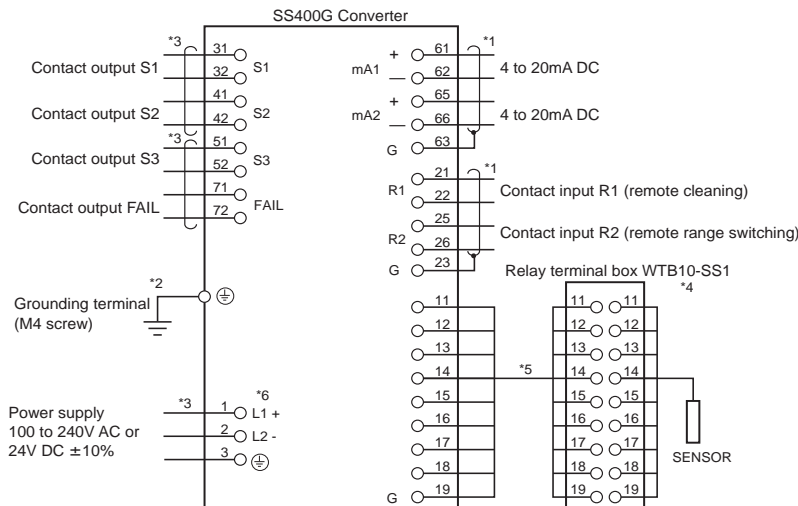


□ Adapter for Conduit Work (optional)
(option code : / AFTG, / ANSI)

Weight : Approx. 2.5 kg



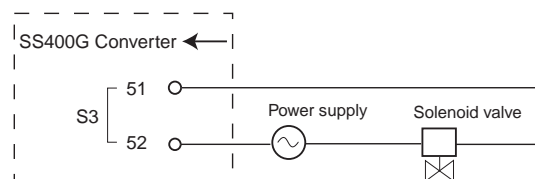
Wiring



- *1: ALWAYS use a 6 to 12 mm OD. shielded cable.
*2: ALWAYS ground (grounding resistance 100Ω or less) the grounding terminal of the casing of the MLSS detector.
(Ground the power cord instead only if the above grounding is not feasible. Do NOT use two-point grounding).
*3: ALWAYS use a 6 to 12 mm OD. cable.
*4: Use the relay terminal box only if the MLSS converter is installed separately from the MLSS detector.
(Normally, the box is unnecessary.)
*5: Specify this cable using the suffix code for a relay terminal box.
*6: For 24 VDC power supply, connect the "+" terminal to L1 and the "-" terminal to L2.

Unless otherwise specified, differences in the dimensions are specified as : General tolerance = \pm (Criteria of tolerance class IT18 in JIS B0401)/2.

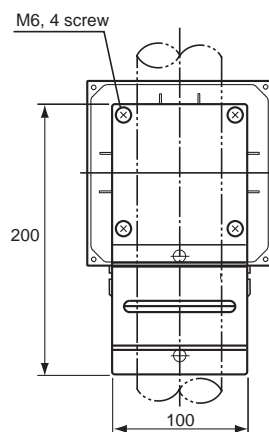
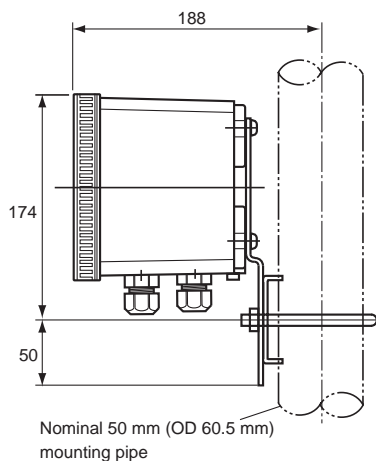
Wiring to use S3 contact output for cleaning



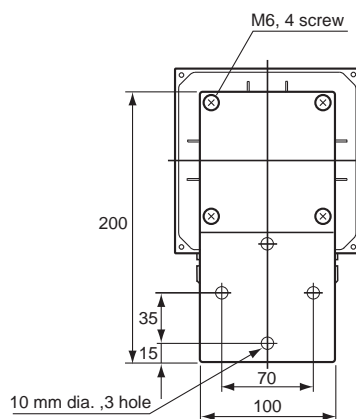
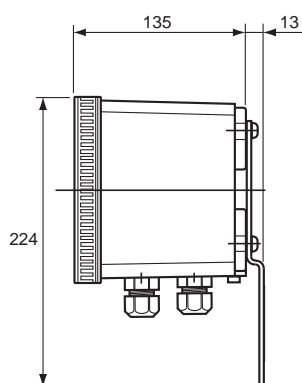
□ Pipe/Wall Mounting Brackets (Option Code: /U)

● Example of bracket used for pipe mounting

Weight : Approx. 0.7 kg

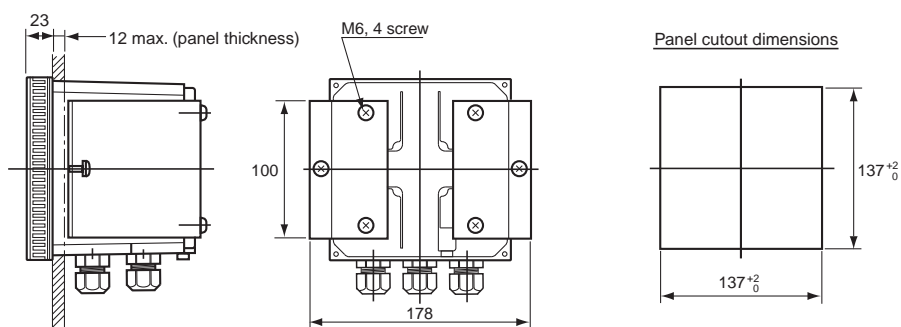


● Example of bracket used for wall mounting



□ Panel Mounting Brackets (Option Code: /PM)

Weight : Approx. 0.4 kg



Unless otherwise specified, differences in the dimensions are specified as : General tolerance=±(Criteria of tolerance class IT18 in JIS B0401)/2.