

General Specifications

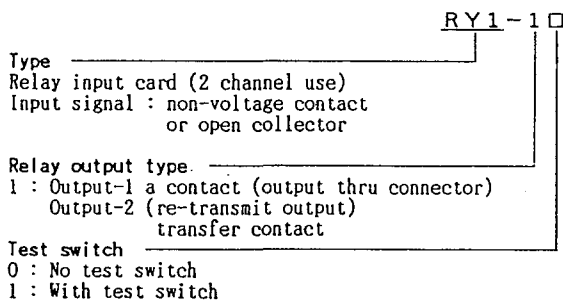
RY1 Relay Input Card

JUXTA

This unit receives contact signal from the field and outputs 2 contact signals (1 for use of DCS status card input and the other is re-transmit contact signal) isolated electrically from the field. One unit stores 2 channels.

- Output contact consists of 2 contacts ; 1 for DCS contact and the other for re-transmit contact (transfer contact) of current capacity 1A.
- Electrically isolated between field input and power supply since DC/DC converter for relay driving power supply is installed.
- Furnished with test switch convenient for debugging of DCS or checking operation and LED for status display.

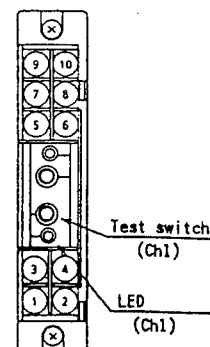
Device Specifications	
Structure	Nest storing type, connector connection structure card type, front by terminal and rear by connector. Terminal cover furnished.
Isolation	Between input~Output-1~Output-2~alarm terminal~power supply (Isolation between input~power supply thru DC/DC converter)
Power fuse	0.5A alarm fuse installed.
Alarm	Output non voltage contact from alarm terminal when fuse break or below specified output voltage of DC/DC converter.
Test switch	AUT : Output contact ON/OFF through external contact input OFF : Output contact compulsorily OFF ON : Output contact compulsorily ON
LED indication	Light on (green) when relay magnetized
I/O Specifications	
Input signal	Non voltage contact or open collector External contact specs : 24V DC, more than 30mA Relay contact, 2 points (Output-1 : DCS output Output-2 : Re-transmit signal output) Contact rating Output-1 : 30V DC 0.2A (both resistance and inductance loads) Output-2 : Resistance load : 125V AC 0.4A 30V DC 1A Inductance load : 125V AC 0.2A 30V DC 0.5A Maximum voltage used : 250V AC/125V DC Relay contact protection : When driving inductance load, erase the noise to protect contact
Standard Performance	
Insulation resistance	100MΩ(500V DC) between input~Output-1~Output-2~alarm contact output
Voltage withstand	1500V AC/1 minute between input~alarm contact output~Output-1~Output-2~power supply 500V AC/ 1 minute between input~alarm contact output
Ambient temperature & humidity	Normal operating condition : 0~50℃, 5~90% RH Operating limit : -10~60℃, 5~95%RH Storing condition : -40~70℃, 5~95%RH (no condensation)
Power supply voltage	24V DC±10% (ripple content below 10% p-p)
Current dissipation	24V DC 70mA
Mounting, Shape & Accessories	
Mounting method	Store in exclusive nest (RYH or RYV), M3 screw
Connection method	Input : M3.5 screw terminal connection Output-1 (DCS output) : Connector connection Output-2 (re-transmit output) : M3.5 screw terminal connection Alarm terminal : Connector connection Power supply : Connector connection
Material of terminal screw	Nickel plated iron (fastening torque below 8kgf.cm)
External dimension	108(H) x 21.4(W) x 129.5 (D) mm
Weight	About 150g
Accessories	Tag number label 1



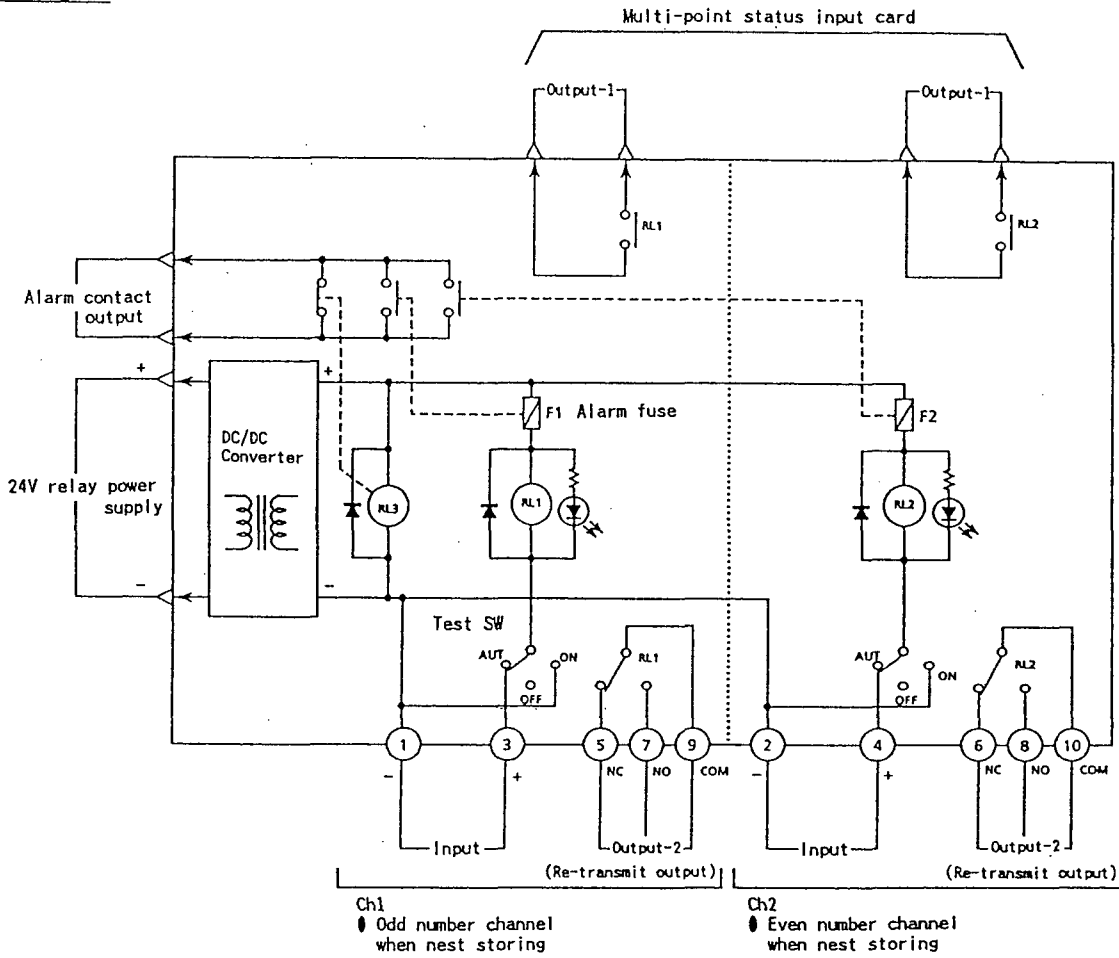
ORDERING INFORMATION
(Example) Type Code : RY1-11

Terminal Arrangement

	Terminal No.	Signal
C H 1	1	Contact input (-) (Field side)
	3	Contact input (+) (Field side)
	5	b contact output
	7	a contact output
	9	Common
C H 2	2	Contact input (-) (Field side)
	4	Contact input (+) (Field side)
	6	b contact output
	8	a contact output
	10	Common

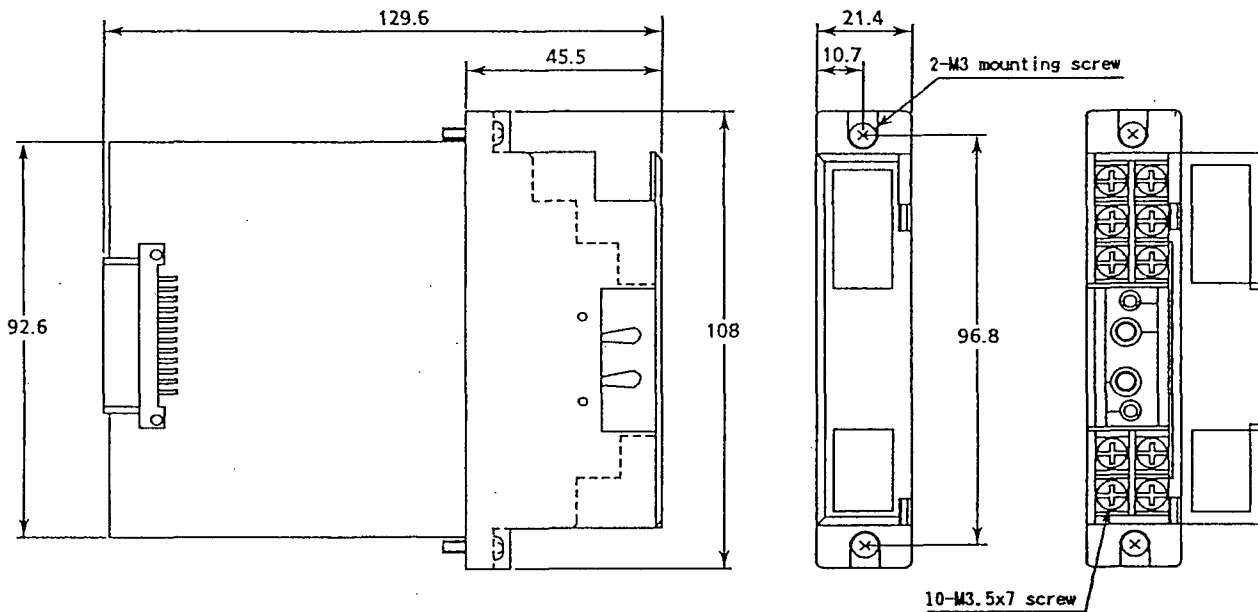


Block Diagram



External Dimension

Unit : mm



Subject to change without notice for grade up quality and performance