



## An atmospheric pressure transmitter

The PL 3700 ATM provides reliable measurement of atmospheric pressure to the cargo gauging system, thus allowing precise and reliable measurement of level in the tanks equipped with pressure sensors of the PL3700 series.

The PL3700 series is a ceramic family transmitter linearised on the whole range. The PL 3700 ATM transducer is specially designed to compensate with the atmospheric pressure, the

use of absolute pressure transmitters in tank gauging system or inert gas pressure measurement. This capacitive transducer with high stability is approved by major classification

# PL3700 ATM - Technical Specifications

## Technical Data

<b>Absolute pressure range:</b>	900 to 1100mbar
<b>Overpressure:</b>	10 bar absolute
<b>Protection class:</b>	- Transducer: IP68 - Remote electronic box: IP66
<b>Intrinsic safety:</b>	IECEX, ATEX II 1G D Ex ia IIC T6 Ga or Ex ia IIB T6 Ga Ex ia IIIC T80°C Da IP66/67
<b>Power supply:</b>	12-28 Vdc
<b>Output signal:</b>	4-20 mA, 2-wires
<b>Accuracy:</b>	±0,3% FS at 20°C
<b>Operating temperature ranges:</b>	- 25°C to + 85°
<b>Weight:</b>	800gr

## Special Features

### Mechanical parts:

- Remote Electronic box: Polyester
- Sensor housing: 316L SS
- Diaphragm: ceramic

### Ordering code: 30 969

For hazardous area installation, the transmitter must be installed with zener barrier

Recommended zener barrier : MTL7787+

## Technical Documentation

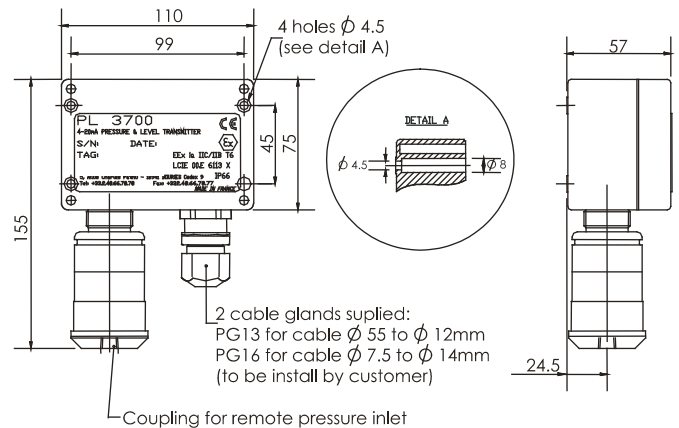
<b>Installation manual:</b>	MI5090
<b>Technical manual:</b>	NT5090
<b>Maintenance manual:</b>	MM5090

## Honeywell Marine SAS

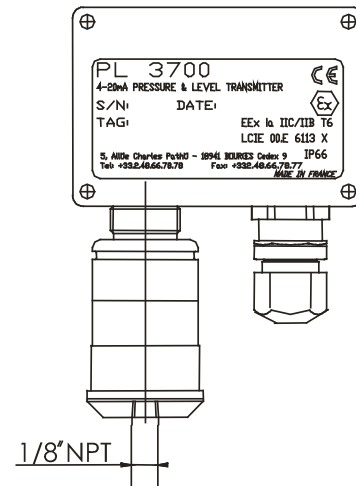
9, rue Isaac Newton  
ZA Port Sec Nord, Esprit 1  
18000 Bourges – France  
Phone : + 33 (0) 248 237 901  
Fax : + 33 (0) 248 237 903  
E-Mail: contact.marine@honeywell.com  
www.honeywellmarine.com

HM-11-23-ENG  
October 2013  
© 2013 Honeywell International Inc.

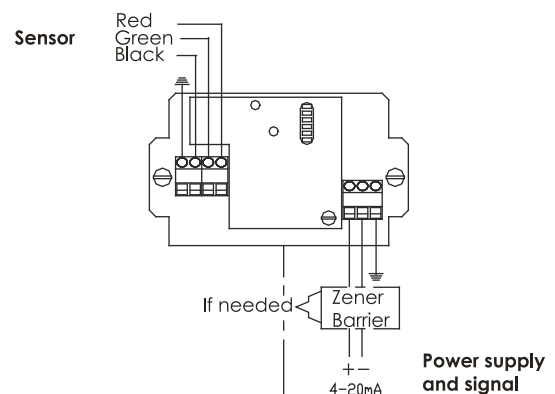
## Mechanical Fittings & Dimensions



## Mechanical Connection



## Electrical Connection



# Honeywell