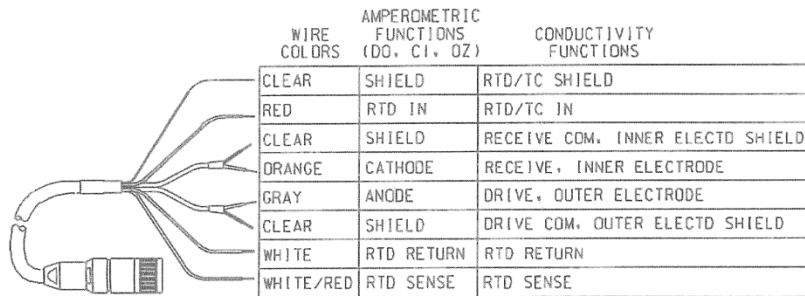


## WIRING INSTRUCTIONS, VARIOPOL CABLE

Model 400VP Series Endurance Conductivity Sensors,  
Model 499A-( )-( )-VP Series Amperometric Sensors:  
Dissolved Oxygen, Chlorine, Ozone

This instruction sheet is for wiring the Variopol cable to various Rosemount Analytical instruments for use with Model 400VP Series Conductivity sensors and Model 499AVP Series Amperometric sensors (DO, CL, OZ). Use extension cable PN 9200275 (unprepped) or PN 23747-00 (prepped both ends as shown in Figure 1) to wire from a junction box to the instrument. See Figure 1 for wire functions. Refer to the sensor and instrument instruction manuals for additional information.



VARIOPOL CONNECTOR  
PN 23747-01 USER SPECIFIED LENGTH  
PN 23747-02 10 FEET LONG  
PN 23747-03 50 FEET LONG

FIGURE 1. Wire Functions

| For Wiring To   | See Figure |
|-----------------|------------|
| Solu Comp       | 11         |
| 54eA            | 2          |
| 54C and 54eC    | 13         |
| 81C             | 5          |
| 1054BC          | 12         |
| 1054BDC         | 9          |
| 1054BLC         | 8          |
| 1054BR          | 9          |
| 1055 DO/Cl/OZ   | 3          |
| 1055 CONT COND  | 7          |
| 1055C           | 14         |
| 1181C           | 15         |
| 2081C           | 4          |
| 3081C and 4081C | 6          |

Emerson Process Management  
Rosemount Analytical Inc.  
2400 Barranca Parkway  
Irvine, CA 92606 USA  
Tel: (949) 757-8500  
Fax: (949) 474-7250  
http://www.raihome.com

## WIRING FOR AMPEROMETRIC SENSORS: DISSOLVED OXYGEN, CHLORINE, OZONE

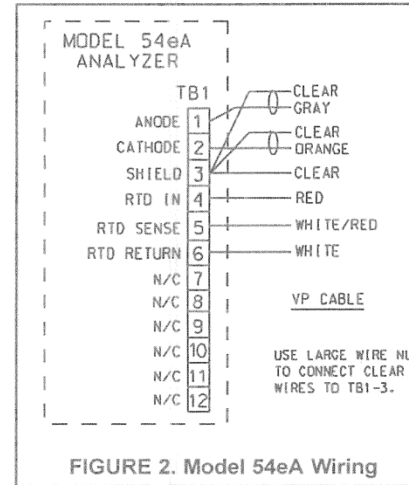


FIGURE 2. Model 54eA Wiring

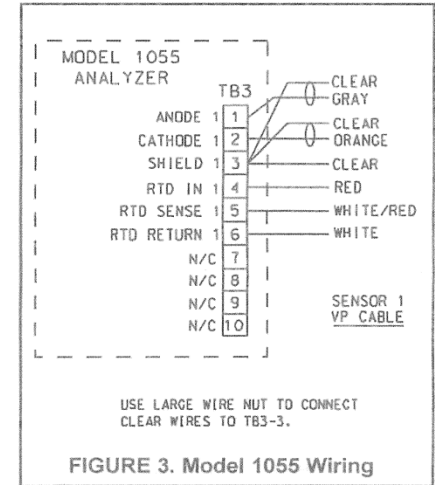


FIGURE 3. Model 1055 Wiring

IF USING A pH SENSOR, SEE ANALYZER MANUAL FOR WIRING DIAGRAM.

## WIRING FOR CONTACTING CONDUCTIVITY SENSORS

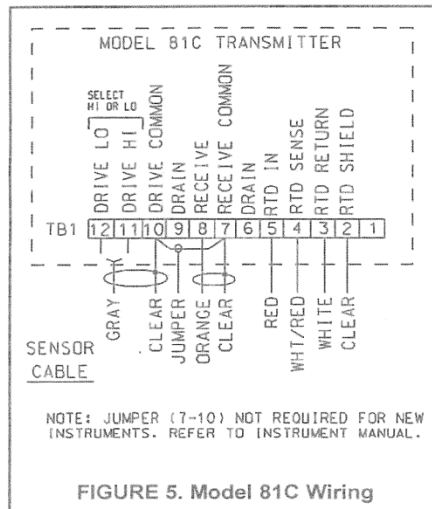


FIGURE 5. Model 81C Wiring

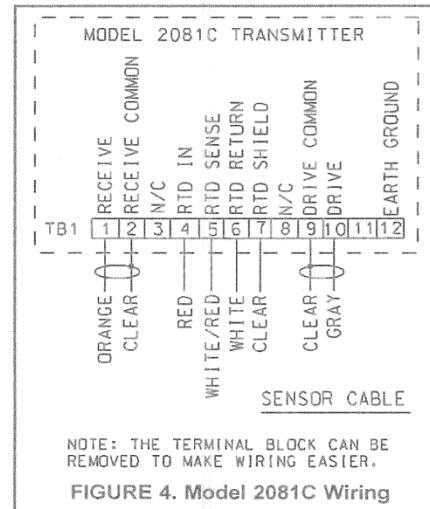


FIGURE 4. Model 2081C Wiring

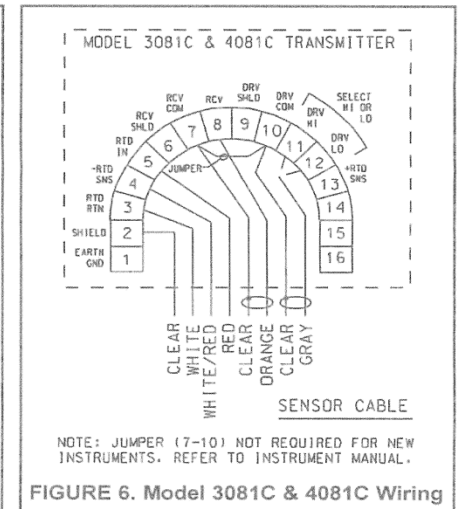


FIGURE 6. Model 3081C & 4081C Wiring

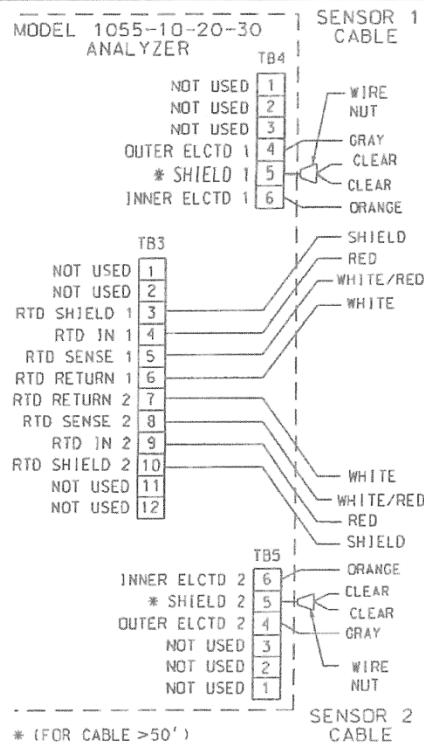


FIGURE 7. Model 1055 Wiring

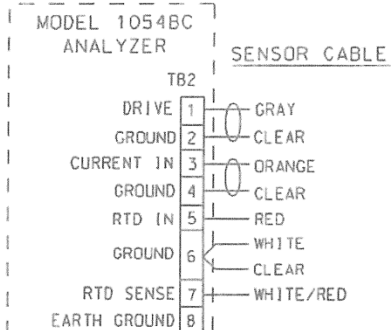


FIGURE 12. Model 1054BC Wiring

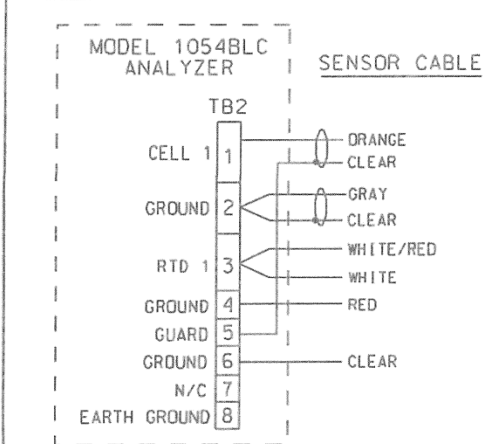


FIGURE 8. Model 1054BLC Wiring

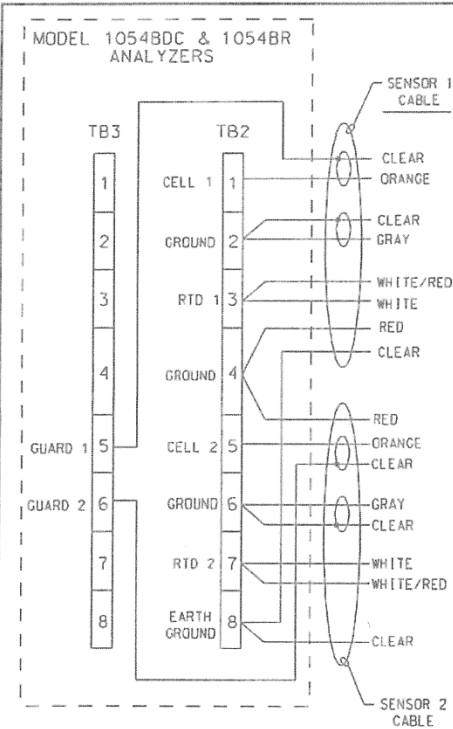


FIGURE 9. Model 1054BDC & 1054BR Wiring

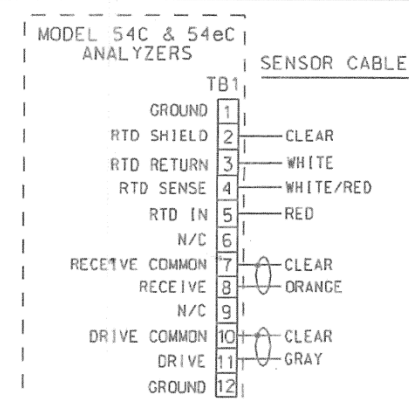


FIGURE 13. Model 54C & 54eC Wiring

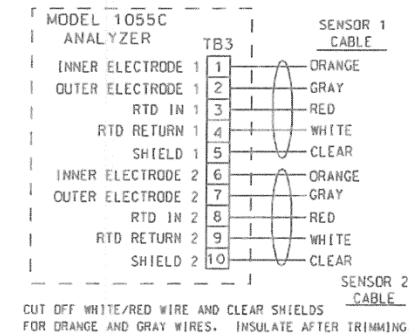


FIGURE 14. Model 1055C Wiring

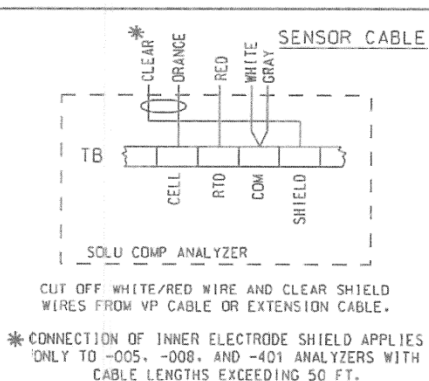
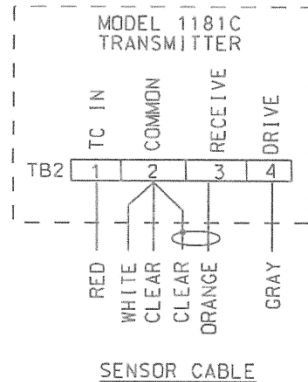


FIGURE 11. Solu Comp Wiring



NOTE: CUT OFF WHITE/RED WIRE AND SHIELD FOR GRAY WIRE.

FIGURE 15. Model 1181C Wiring

Model 400VP Series  
Wiring Diagrams

Figure 8. Wiring for 56 and 1056

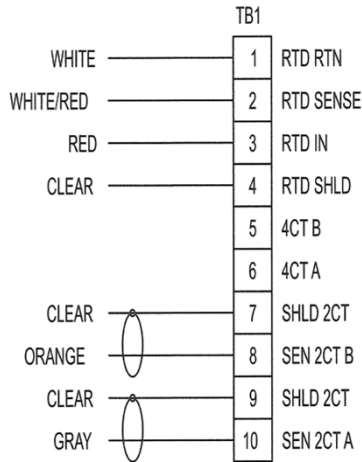


Figure 9. Wiring for 1066

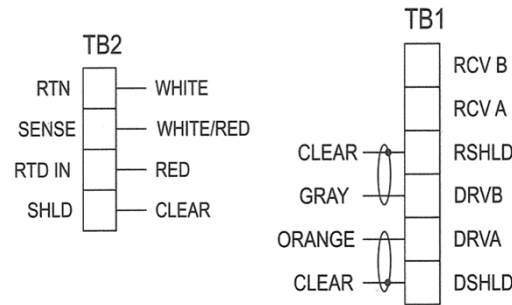


Figure 10. Wiring for XMT-C-10 (Panel)

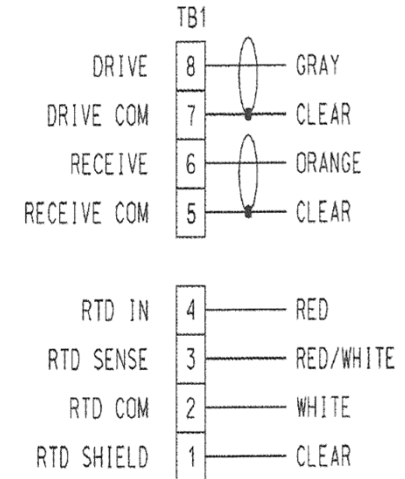


Figure 11. Wiring for XMT-C-11 (Pipe or Wall)

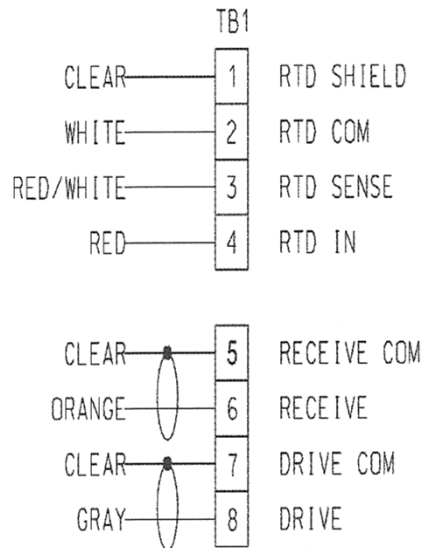


Figure 12. Wiring for 5081C

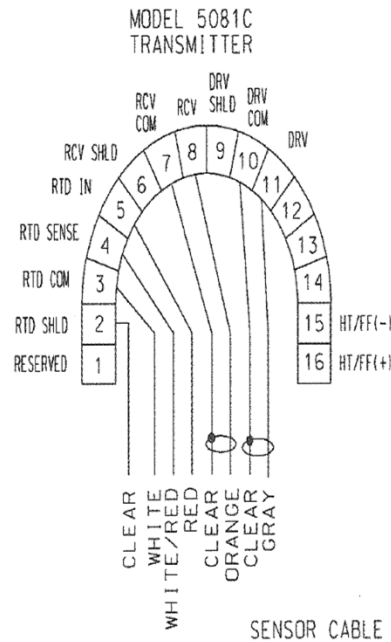
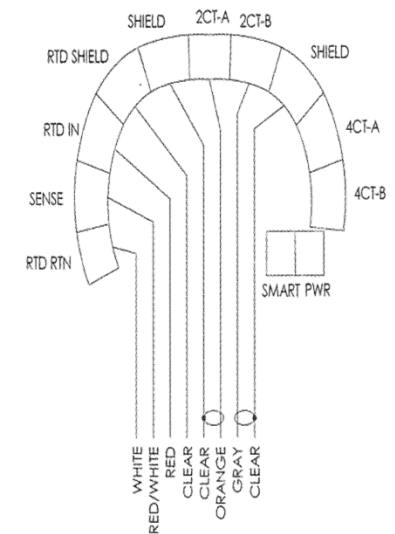


Figure 13. Wiring for 6081-C



Model 499-()-()-VP Series

Figure 1. Wiring Sensor with Standard Cable to 1056 and 56 Analyzers

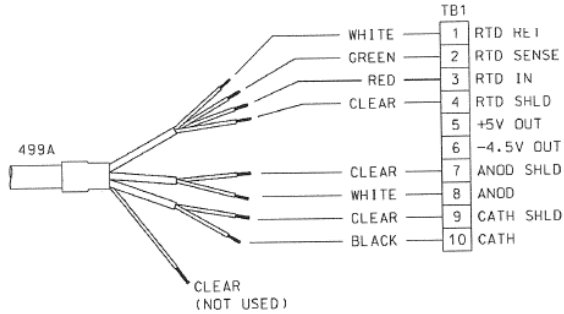


Figure 2. Wiring Sensor with Optimum EMI/RFI or Variopol Cable to 1056 and 56 Analyzers

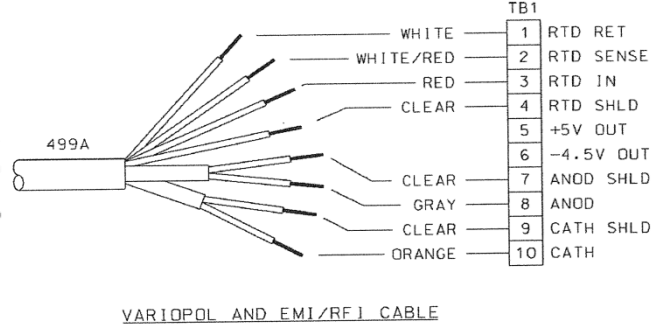


Figure 4. Wiring Sensor with Optimum EMI/RFI or Variopol Cable to 54eA Analyzer

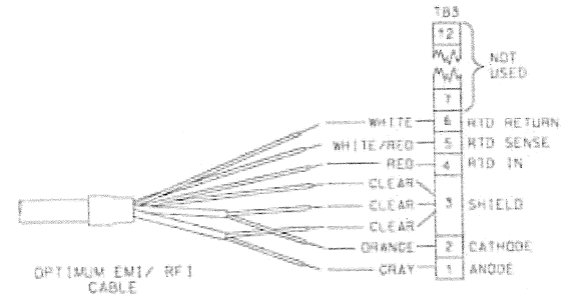


Figure 6. Wiring Sensor with Optimum EMI/RFI or Variopol Cable to 5081-A Transmitter.

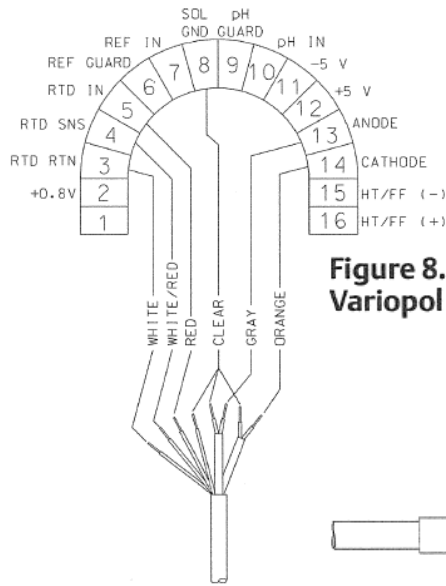


Figure 8. Wiring Sensor with Optimum EMI/RFI or Variopol Cable to Xmt-A Transmitter.

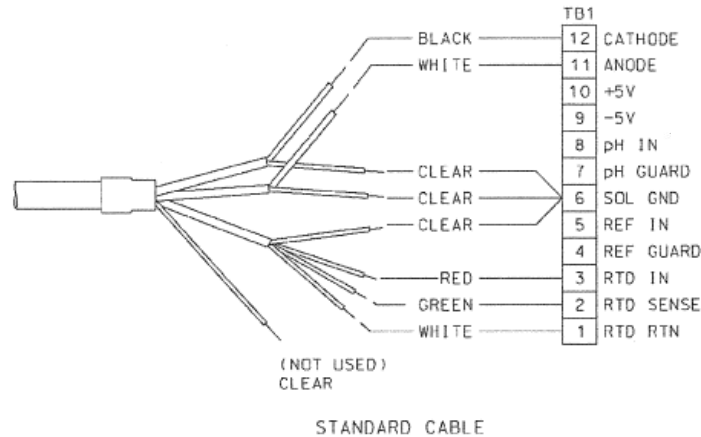
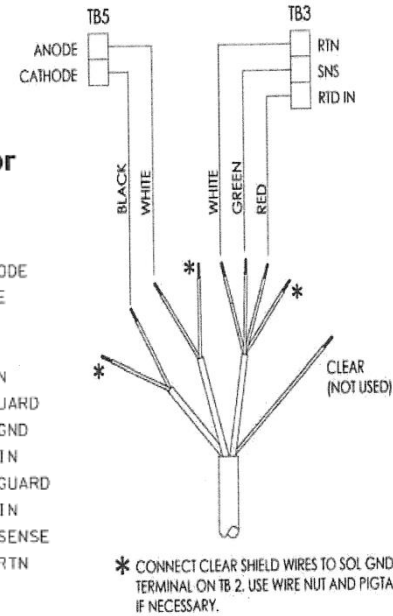
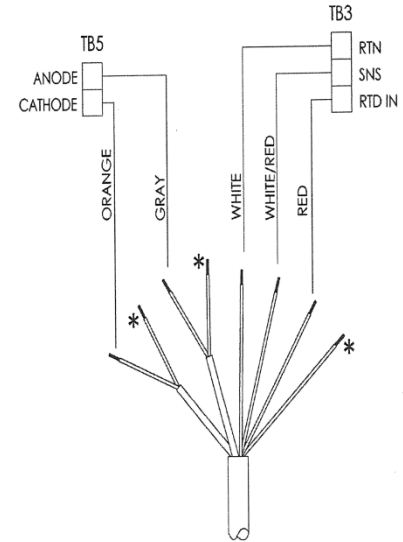


Figure 9. Wiring Sensor with Standard Cable to 1066 Transmitter



\* CONNECT CLEAR SHIELD WIRES TO SOL GND TERMINAL ON TB 2. USE WIRE NUT AND PIGTAIL IF NECESSARY.

Figure 10. Wiring Sensor with Optimum EMI/RFI or Variopol Cable to 1066 Transmitter



\* CONNECT CLEAR SHIELD WIRES TO SOL GND TERMINAL ON TB 2. USE WIRE NUT AND PIGTAIL IF NECESSARY.