

Drawings

AXF025, AXF032, AXF040, AXF050, AXF065, AXF080, AXF100, AXF125 **ADMAG AXF™**

AXF Integral Flowmeter/Remote Flowtube

AXF Standard (Wafer)

Fluorocarbon PFA/Polyurethane Rubber/Natural Soft Rubber/EPDM Rubber Lining

Integral Flowmeter

Remote Flowtube

Integral Flowmeter

Remote Flowtube

Unit : mm
(approx. inch)

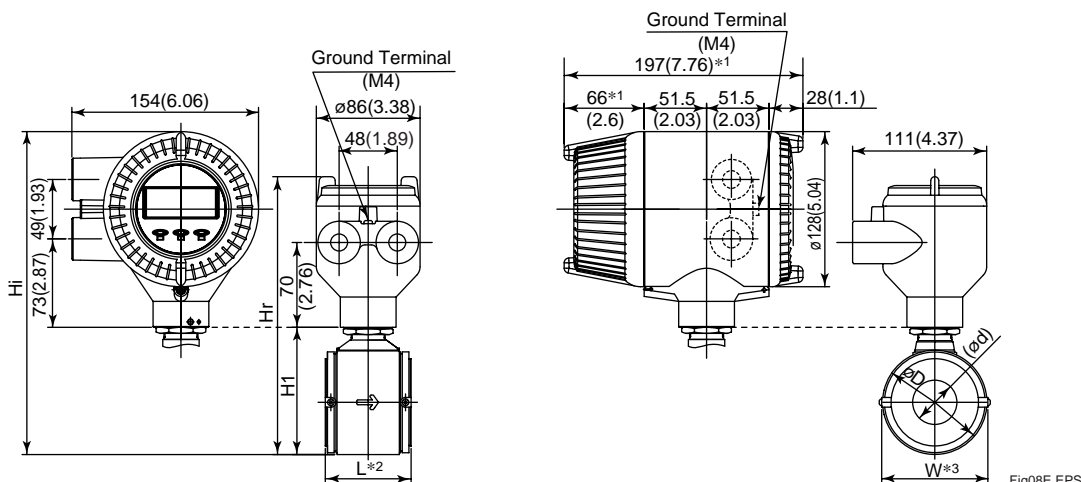


Fig08E.EPS

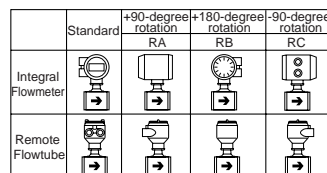
*No infra-red switches are furnished for Fieldbus communication type.

Model code:

AXF025 G D^{*6} E 1 A
 AXF032 W F 2 U □ 1 □ □ - A □ □ 1
 AXF040 C G N G
 AXF050 P
 AXF065 G D^{*6} E 1 A
 AXF080 W F 2 U □ 1 □ □ - A □ □ 1
 AXF100 C G N G
 AXF125 P

*6: D, E, F, G; Integral Flowmeter, N, P: Remote Flowtube

* When option code RA, RB, or RC is selected, the direction of electrical connection change as below.



F19-1E.EPS

*1: When indicator code N is selected, subtract 12mm(0.47inch) from the value in the figure. In case of explosion proof type with indicator, add 5 mm (0.2 inch) to it.
 *2: Depending on the selection of grounding ring code and optional code, add the following value to L(face-to-face length).

| Grounding Ring Code | | S, L, H, V | P, T | N |
|---------------------|------------------------------|------------|-----------|----------|
| Option Code | None | +0 | +26(1.02) | -2(0.08) |
| | GA, GC, GD (Special Gaskets) | +8(0.31) | +30(1.18) | - |

*3: When electrode structure 2 is selected, add the following value to W(width).

| Nominal Size | 25 | 32,40,50 | 65,80 | 100 | 125 |
|--------------|--------------|------------|------------|------------|------------|
| W | +52.5 (2.07) | +52 (2.05) | +49 (1.93) | +48 (1.89) | +47 (1.85) |

*4: When submersible type or option code DHC is selected, waterproof glands and a 30m long cable are attached. Add 9.5kg(20.9lb) to the weight in the table.

| Model | Size code | 025 | 032 | 040 | 050 | 065 | 080 | 100 | 125 |
|--------------------|-------------------------------------|------------|------------|------------|------------|------------|------------|------------|------------|
| | Size | 25(1) | 32(1.25) | 40(1.5) | 50(2) | 65(2.5) | 80(3) | 100(4) | 125(5) |
| Remote Flowtube | Lining code | A,U | A,U | A,U | A,U D,G | A,U D,G | A,U D,G | A,U D,G | A,U D,G |
| | Face-to-face length L ^{*2} | 60(2.36) | 70(2.76) | 70(2.76) | 80(3.15) | 100(3.94) | 120(4.72) | 150(5.91) | 200(7.87) |
| Integral Flowmeter | Outside dia. øD | 67.5(2.66) | 73(2.87) | 86(3.39) | 99(3.90) | 117(4.61) | 129(5.08) | 155(6.10) | 183(7.20) |
| | Inner diameter of Grounding ring ød | 28(1.10) | 34(1.34) | 41(1.61) | 53(2.09) | 66(2.60) | 77(3.03) | 102(4.02) | 128(5.04) |
| Remote Flowtube | Width W ^{*3} | 67.5(2.66) | 73(2.87) | 86(3.39) | 99(3.90) | 117(4.61) | 129(5.08) | 155(6.10) | 183(7.20) |
| | Height H1 | 92(3.62) | 98(3.86) | 111(4.37) | 129(5.08) | 147(5.79) | 157(6.18) | 183(7.20) | 212(8.35) |
| Integral Flowmeter | Max. Height Hr | 216(8.50) | 222(8.74) | 235(9.25) | 253(9.96) | 271(10.67) | 281(11.06) | 307(12.09) | 336(13.23) |
| | Weight kg (lb) ^{*4} | 1.9(4.1) | 2.0(4.5) | 2.2(4.9) | 2.7(5.8) | 3.4(7.6) | 4.1(9.1) | 5.6(12.3) | 9.3(20.4) |
| Remote Flowtube | Max. Height Hi | 254(9.98) | 260(10.24) | 273(10.73) | 291(11.44) | 309(12.17) | 319(12.54) | 345(13.56) | 374(14.70) |
| | Weight kg (lb) | 3.6(7.8) | 3.7(8.2) | 3.9(8.7) | 4.4(9.6) | 5.1(11.3) | 5.8(12.9) | 7.3(16.0) | 11.0(24.2) |

TD07E.EPS

Lining code : A; Fluorocarbon PFA, U; Polyurethane Rubber
 D; Natural Soft Rubber, G; EPDM Rubber

Unless otherwise specified, difference in the dimensions are specified as : General tolerance = ± (Criteria of tolerance class IT18 in JIS B0401) / 2

Integral Flowmeter

BRAIN/HART Communication Type

Terminal configuration

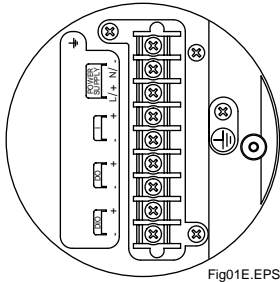


Fig01E.EPS

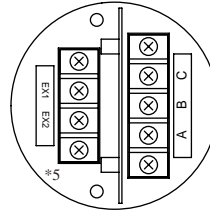
Terminal wiring

| Terminal Symbols | Description |
|------------------|---------------------------------------------------|
| | Functional grounding |
| N/- L/+ | Power supply |
| I+ I- | Current output 4 to 20mA DC |
| DO+ DO- | Pulse output/Alarm output/ Status output |
| DIO+ DIO- | Alarm output/Status output Status input |
| | Protective grounding (Outside of the terminal) |

Fig01-2E.EPS

Remote Flowtube

Terminal configuration



*5: In case of explosion proof type, (functional grounding terminal) is added.

Fig02E.EPS

Terminal wiring

| Terminal Symbols | Description |
|------------------|---------------------------------------------------|
| A B C | Flow signal output |
| EX1 EX2 | Excitation current input |
| | Protective grounding (Outside of the terminal) |

FOUNDATION Fieldbus/PROFIBUS PA Communication type

Terminal configuration

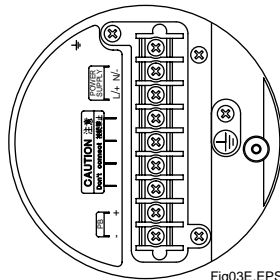


Fig03E.EPS

Terminal wiring

| Terminal Symbols | Description |
|------------------|---------------------------------------------------|
| | Functional grounding |
| N/- L/+ | Power supply |
| FB+ FB- | Fieldbus communication signal |
| | Protective grounding (Outside of the terminal) |

Fig01-3E.EPS