

## VEGAPULS WL61

4 ... 20 mA/HART - two-wire

Radars sensor for continuous level measurement of water and wastewater



### Application area

The VEGAPULS WL61 is the ideal sensor for all applications in water and sewage water applications. It is particularly suitable for use in water processing, pump stations as well as overflow basins, for flow measurement in open flumes and gauge monitoring. The VEGAPULS WL61 is an economical solution through versatile and simple mounting options. The flood-proof IP 68 housing ensures a maintenance-free permanent operation.

### Your benefit

- Maintenance-free operation thanks to non-contact measuring principle
- High plant availability, because wear and maintenance free
- Exact measuring results independent of product, process and ambient conditions

### Function

Extremely short microwave impulses are emitted by the antenna system in the direction of the measured product, reflected by the product surface and received back again by the antenna system. The time from emission to reception of the signals is proportional to the level.

### Technical data

Measuring range up to	15 m (49.21 ft)
Deviation	±2 mm
Process fitting	Thread G1½, mounting strap, compression flanges from DN 80, 3"
Process pressure	-1 ... +2 bar/-100 ... +200 kPa (-14.5 ... +29.0 psig)
Process temperature	-40 ... +80 °C (-40 ... +176 °F)
Ambient, storage and transport temperature	-40 ... +80 °C (-40 ... +176 °F)
Operating voltage	9.6 ... 36 V DC

### Materials

The wetted parts of the instrument are made of Valox PBT or PP. The process seal is made of FPM. The connection cable is PUR insulated. You will find a complete overview of the available materials and seals in the "Configurator" at [www.vega.com](http://www.vega.com) and "VEGA Tools".

### Housing versions

The housing is optimized for applications in the waste water industry and manufactured of Valox PBT. Due to the encapsulated cable gland, protection rating IP 68 (2 bar) is achieved.

### Electronics versions

The instruments are available in different electronics versions. Apart from the two-wire electronics with 4 ... 20 mA/HART, two purely digital versions with Profibus PA and Foundation Fieldbus are possible.

### Approvals

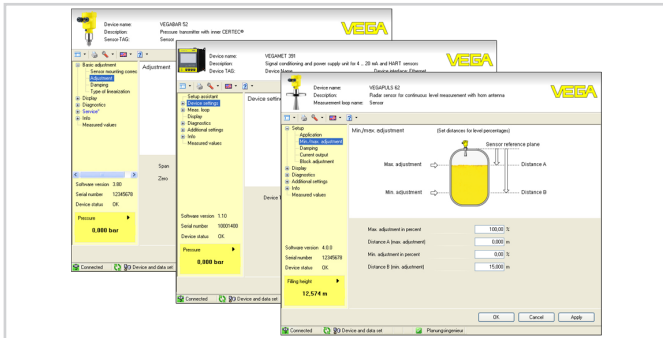
The instruments are suitable for use in hazardous areas and are approved, for example, according to ATEX and IEC. You can find detailed information at [www.vega.com/downloads](http://www.vega.com/downloads) and "Approvals".

## Operation

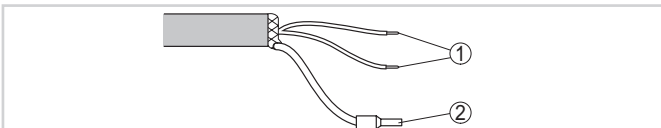
The adjustment of the instrument is carried out via the external display and adjustment unit VEGADIS 82. Either via an integrated display and adjustment module PLICSCOM or a PC with the adjustment software PACTware and the appropriate DTM.



Further adjustment options are possible via a HART Communicator as well as manufacturer-specific programs such as AMS™ or PDM.



## Electrical connection

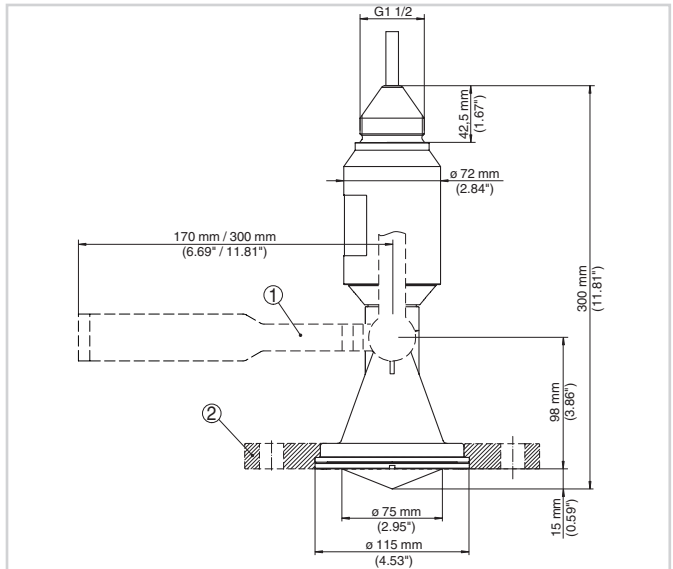


Wire assignment in permanently connected connection cable

- 1 brown (+) and blue (-) to power supply or to the processing system
- 2 Shielding

You can find details on electrical connection in the instrument operating instructions at [www.vega.com/downloads](http://www.vega.com/downloads).

## Dimensions



Dimensions VEGAPULS WL61

- 1 Mounting strap
- 2 Adapter flange

## Information

You can find further information about the VEGA product line on [www.vega.com](http://www.vega.com).

In the download section at [www.vega.com/downloads](http://www.vega.com/downloads) you'll find operating instructions, product information, brochures, approval documents, instrument drawings and much, much more.

There, you will also find GSD and EDD files for Profibus PA systems as well as DD and CFF files for Foundation Fieldbus systems.

## Instrument selection

With the "Finder" at [www.vega.com/finder](http://www.vega.com/finder) and "VEGA Tools" you can select the most suitable measuring principle for your application. You can find detailed information on the instrument versions in the "Configurator" at [www.vega.com/configurator](http://www.vega.com/configurator) and "VEGA Tools".

## Contact

You can find the VEGA agency serving your area on our homepage [www.vega.com](http://www.vega.com).