

ECLIPSE® 705

Heavy Duty Guided Wave Radar Level Transmitter

DESCRIPTION

The Eclipse 705 Transmitter is a loop-powered, 24 V DC liquid-level transmitter based on the revolutionary Guided Wave Radar (GWR) technology. Encompassing a number of significant engineering accomplishments, this leading edge level transmitter is designed to provide measurement performance well beyond that of many traditional technologies, as well as “through-air” radars.

The innovative enclosure is a first in the industry, orienting dual compartments (wiring and electronics) in the same plane, and angled to maximize ease of wiring, configuration, set-up and data display.

This single transmitter can be used with all probe types and offers enhanced reliability, for use in SIL 2 / SIL 3 loops.

FEATURES

- * “REAL LEVEL”, measurement not affected by media variables eg. dielectrics, pressure, density, pH, viscosity, ...
- * Easy bench configuration - no need for level simulation.
- * Two-wire, intrinsically safe loop powered level transmitter.
- * 20-point custom strapping table for volumetric output.
- * 360° rotatable housing can be dismantled without depressurising the vessel via “Quick connect/disconnect” probe coupling.
- * Two-line, 8-character LCD and 3-button keypad.
- * Probe designs: up to +425 °C / 431 bar (+800 °F / 6250 psi).
- * Saturated steam applications up to 155 bar @ +345 °C (2250 psi @ +650 °F).
- * Cryogenic applications down to -196 °C (-320 °F).
- * Integral or remote electronics.
- * Suited for SIL 2 / SIL 3 loops (full FMEDA report and certificate available).

APPLICATIONS

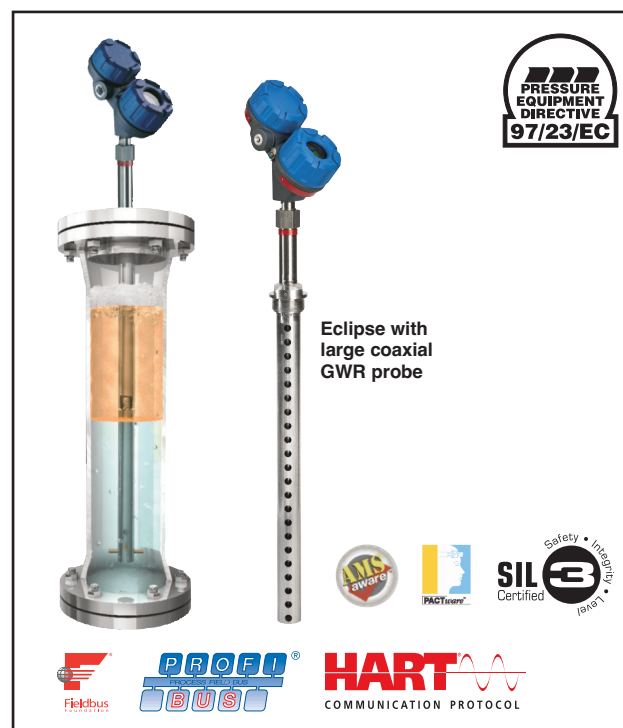
MEDIA: Liquids or slurries; hydrocarbons to water-based media (dielectric 1,4 - 100).

VESSELS: Most process or storage vessels.

CONDITIONS: All level measurement and control applications including process conditions exhibiting visible vapours, foam, surface agitation, bubbling or boiling, high fill/empty rates, low level and varying dielectric media or specific gravity.

Ask for your free copy of the Eclipse® 705 performance report by WIB/Evaluation International (SIREP)/EXERA.

Overfill safe for clean and dirty liquids



AGENCY APPROVALS

Agency	Approvals
ATEX	II 3 (1) G EEx nA [ia] IIC T6, non sparking ^① II 3 (1) G EEx nA [nL] [ia] IIC T6, FNICO – non incendive ^② II 1 G Ex ia IIC T4 Ga, intrinsically safe II 1 G Ex ia IIC T4 Ga, FISCO – intrinsically safe ^② II 1/2 G Ex d[ia] Ga] IIC T6 Gb II 1/2 D Ex t[ia] Da] IIIC T85°C Db IP66
Lloyds	Primary level safety device for steamdrums conform to - EN 12952-11 (water tube boilers) - EN 12953-9 (shell boilers)
TÜV	WHG § 63, overfill prevention
AIB	VLAREM II – 5.17.7
LRS	Lloyds Register of Shipping (marine applications)
FM/CSA ^③	
IEC ^③	Ex d[ia] Ga] IIC T6 Gb Ex t[ia] Da] IIIC T85°C Db IP66 Ex ia IIC T4 Ga, intrinsically safe Ex ia IIC T4 Ga, FISCO – intrinsically safe ^② Ex ic [ia] Ga] IIC T4 Gc
Russian Authorisation Standards ^③	
Other approvals are available, consult factory for more details	

^① Probe is intrinsically safe to ATEX II 1 G EEx ia IIC T6 and can be used in zone 0, on flammable liquids.

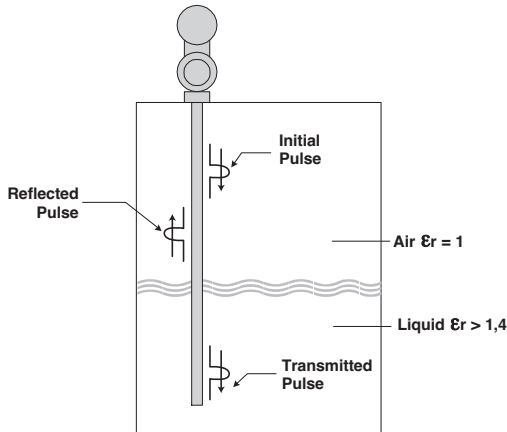
^② Foundation Fieldbus™ and Profibus PA™ units.

^③ Consult factory for proper model numbers and classifications.

TECHNOLOGY

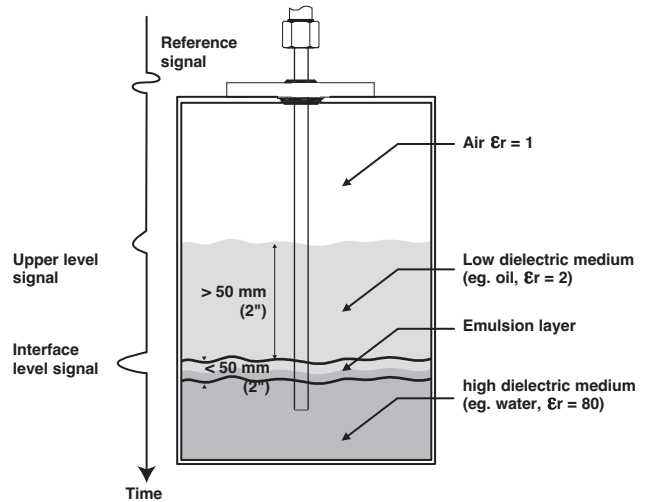
Level

Eclipse® Guided Wave Radar is based upon the technology of TDR (Time Domain Reflectometry). TDR utilises pulses of electromagnetic energy transmitted down a wave guide (probe). When a pulse reaches a liquid surface that has a higher dielectric constant than the air (ϵ_r of 1) in which it is traveling, the pulse is reflected. The travelling time of the pulse is measured via ultra high speed timing circuitry that provides an accurate measure of the liquid level. Even after the pulse is reflected from the upper surface, some of the energy continues down the GWR probe through the upper liquid. The pulse is again reflected when it reaches the higher dielectric lower liquid, as shown in the illustration.



Interface

The Eclipse® 705, is capable of measuring both an upper liquid level and an interface liquid level. It is required that the upper liquid has a dielectric constant between 1,4 and 5, and the lower liquid has a dielectric constant greater than 15. A typical application would be oil over water, with the upper layer of oil being non-conductive ($\epsilon_r \pm 2,0$), and the lower layer of water being very conductive ($\epsilon_r \pm 80$). The thickness of the upper layer must be > 50 mm (2"). The maximum upper layer is limited to the length of the 7MT GWR probe, which is available in lengths up to 6,1 m (240").



Emulsion layers

As emulsion layers can decrease the strength of the reflected signal, the Eclipse® 705 should only be utilised in those interface applications that have clean, distinct layers. The Eclipse® 705 will tend to detect the top of the emulsion layer. Contact the factory for application assistance.

PACTware™ PC SOFTWARE PROGRAM

FDT technology provides an open communication interface between field instruments of various communication protocols and the host/ DCS system. The DTM driver is typical for one type of instrument and delivers the full functionality of the device added with graphical user interface via a laptop or PC. Magnetrol transmitters use the free shareware PACTware™ software to support DTM drivers and the FDT functionality. Via PACTware™ it becomes easy to configure, monitor and diagnose a Magnetrol transmitter from distance or even to call for factory assistance over the internet via the supply of screenshots of echo curves and trending graphs. Magnetrol DTM library HART® has passed the dtmINSPECTOR, the official FDT interoperability test and certification tool. The Magnetrol DTM's are free of charge and can be downloaded from www.magnetrol.com.

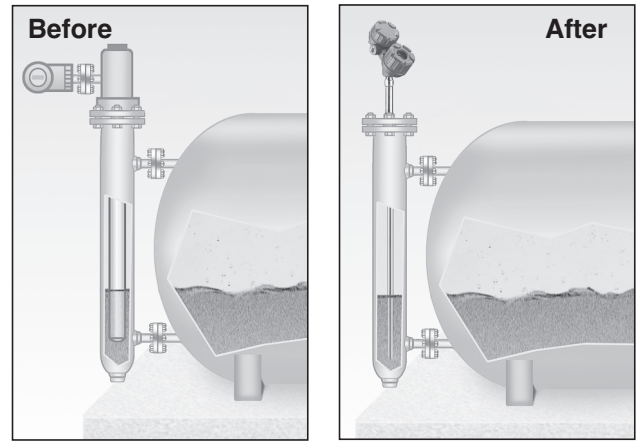


Magnetrol recommends the VIATOR® USB HART® interface from MACTek® Corporation.

REPLACEMENT OF DISPLACER TRANSMITTER

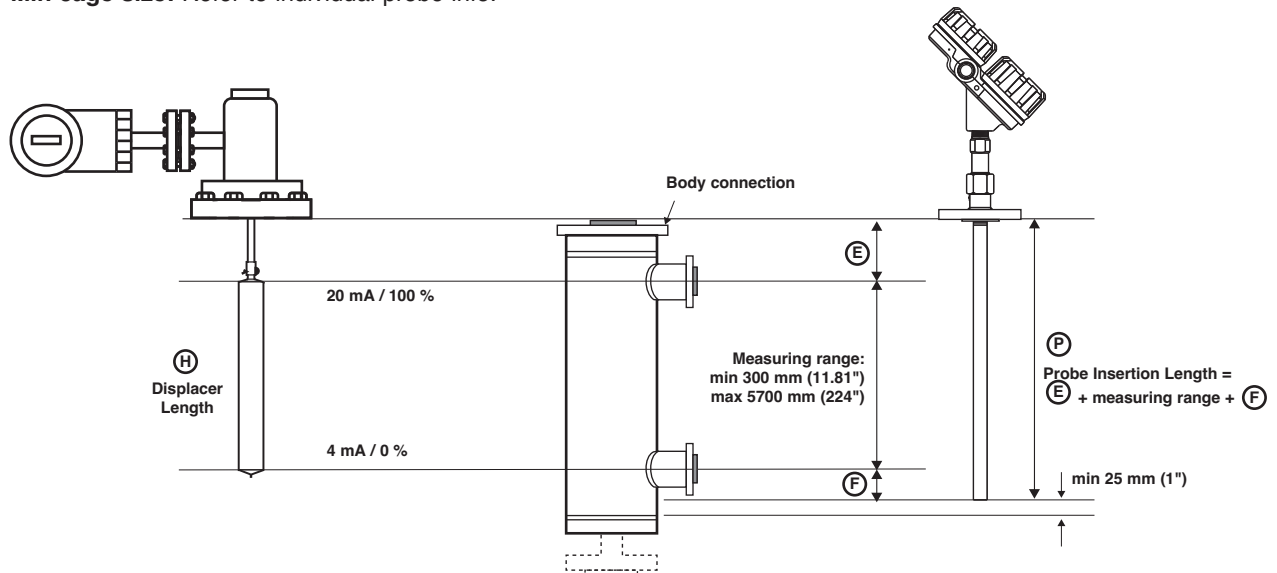
Eclipse® has proven to be the perfect replacement for existing torque tube transmitters. In hundreds of applications around the globe, customers have found Eclipse® Guided Wave Radar superior to torque tube transmitters:

- **Cost:**
A new Eclipse® costs only slightly more than rebuilding an aging torque tube.
- **Installation:**
No field calibration is necessary; it can be configured in minutes with no level movement. Pre-configuration from factory is free of charge.
- **Performance:**
Eclipse® is not affected by changes in specific gravity or dielectric.
- **Ease of replacement:**
Proprietary flanges are offered so existing chamber/ cages can be used.



In order to match the proper Eclipse transmitter with the proper external cage, consider the following:

- **Type of application** – use the applicable GWR probe, see selection guide.
- **Overfill proof:** Overfilling occurs when the level rises above the max level – radar based equipment may provide erroneous output in this zone unless an adapted design is used. GWR probes without top transition zone (e.g. 7MR, 7MD, 7MT) are always safe to use – only in cases where the application demands for a different probe type, other selections should be considered and the recommended precautions followed.
- **Min cage size:** Refer to individual probe info.



Indicative probe length for replacing displacer transmitters

Below table helps to define the GWR probe length based upon the length of the most common displacer transmitters. Consult the flange selection guide on the next page.

Manufacturer	Type	Process connection	Displacer length inches (mm)	Probe length ^① mm (inches)
Magnetrol®	EZ & PN Modulevel®	ANSI/DIN flange	≥ 14" (356)	Displacer + 178 (7)
Masoneilan®	Series 1200	Proprietary flange	≥ 14" (356)	Displacer + 203 (8)
		ANSI/DIN flange	≥ 16" (406)	Displacer + 203 (8)
Fisher® series 2300 & 2500	249B, 259B, 249C cages	Proprietary flange	≥ 14" (356)	Displacer + 254 (10)
	other cages	ANSI flange	≥ 14" (356)	consult factory
Eckhardt®	Series 134,144	ANSI/DIN flange	≥ 14" (356)	consult factory
Tokyo Keiso®	FST-3000	ANSI/DIN flange	H = 11.8" (300)	Displacer + 229 (9)
		ANSI/DIN flange	≥ H = 19.7" (500)	Displacer + 229 (9)

① Round down resulting calculation to the nearest cm.

PROPRIETARY FLANGES

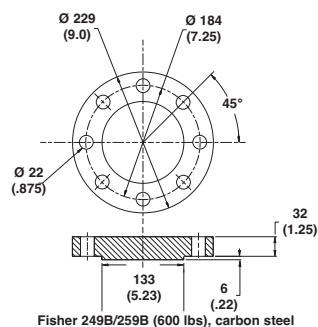


Figure 1

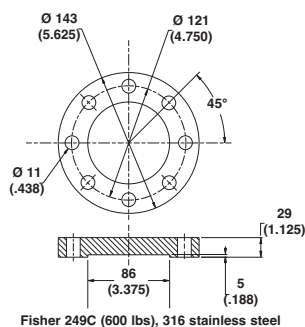


Figure 2

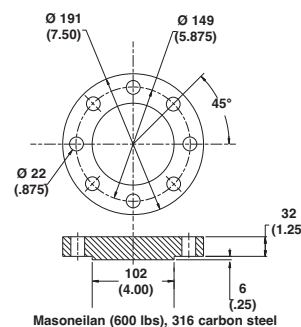


Figure 3

FLUSHING CONNECTION

The maintenance of coaxial GWR probes in applications suffering from buildup, crystallization or condensation can significantly be improved by using a flushing connection. A flushing connection is a metal extension with a vent, welded above the process connection. Via the vent it is possible to purge the inside of the coaxial GWR probe during a maintenance routine. The best approach to defeat the effects of condensation or crystallization is to install adequate insulation or heat tracing (steam or electrical). A flushing connection is no substitute for proper maintenance but will help to reduce/optimize the frequency of the maintenance routines.



CAGES

Eclipse can be built into cages as small as DN 50 / 2", depending on probe type. When a new cage is needed, it can be ordered together with the Eclipse. Magnetrol has a long tradition in offering cost effective cages. Magnetrol cages comply with PED regulations and are available with a wide variety of options.

Measuring span	30-610 cm (12-240") ①
Materials of construction	Carbon steel or 316/316L (1.4401/1.4404) stainless steel
Process connection sizes	1", 1 1/2", 2"
Process connection ratings	150#-2500# ANSI
Configurations	Side-Side and Side-Bottom
Process pressures	Up to 431 bar (6250 psi) ①
Process temperatures	Up to +425 °C (+800 °F) ①

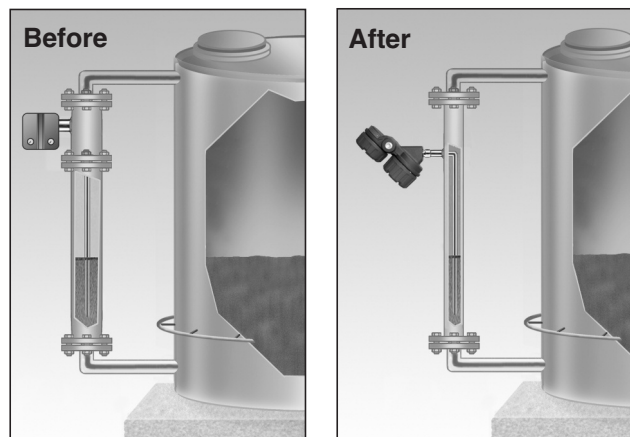
① Limitations are defined per selected GWR probe.

For more details – consult bulletin BE 57-140.



REPLACEMENT OF TOP/BOTTOM CAGES

In addition to Magnetrol's Torque Tube Cage Flange options, the Eclipse® 705 transmitter and 7EK GWR probe/cage can also be used in replacing existing Top/Bottom and Top/Side torque tube installations. After removal of the existing torque tube cage assembly (controller, displacer and cage), Eclipse Guided Wave Radar may then be installed directly in its place. Several models are available for some of the major torque tube displacer transmitter manufacturers. Because the Model 7EK probe/cage mounting dimensions and measuring ranges match the original manufacturer's specification, no re-piping is necessary.



AURORA™

Aurora® is the innovative combination of the Eclipse® Guided Wave Radar and a Magnetic Level Indicator (MLI). The MLI indicator rail offers the Eclipse a highly visible level indication that may obsolete the need for local indicators. The integration of these two independent technologies provides an excellent redundancy in one integrated design. With Aurora® it is even possible to plan maintenance ahead. Maintenance becomes needed when build up in an installation has surpassed the allowable limit. Build up on the float inside the MLI cage will force it to sink deeper in the liquid while the measurement of the Eclipse will not see any build up until its both lead elements are completely clogged. In this way, the float will indicate a lower level versus the real level measured by the Eclipse. The degree of deviation between both read outs is a worthwhile tool to determine the real need for maintenance.

For more details – consult bulletin BE 57-138.



SELECTION GUIDE

Large coaxial GWR probes for clean liquids

The large diam. GWR probes can be generally used for most applications. They can be installed directly in the tank as well as in by-pass cages, schedule pipe stillwells or bridles. Its more rugged construction allows eliminating spacers in applications where higher risk of build exists.

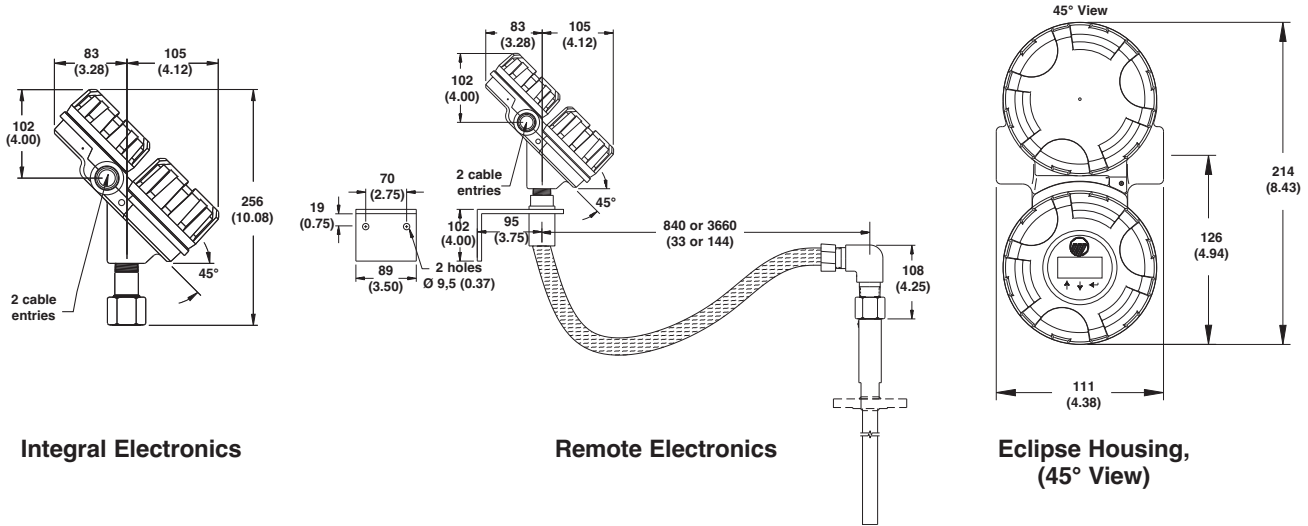
Cage GWR probe for dirty liquids

The cage GWR probe is a single rod GWR probe which uses an existing or new cage, bridle or schedule pipe stillwell to re-create the same propagation of signal of a coaxial GWR probe. Cage GWR probes are suited for 2", 3" or 4" size diam. and use an impedance matching part that aligns in the same way with the characteristic impedance of a standard coaxial style GWR probe. Cage GWR probes are overflow safe and offer the same performance of coaxial GWR probes.

Application	Dielectric limit	Temperature limits	Pressure	Applications			GWR Probe
				Vacuum ①	Overflow safe	Foam ②	
Coaxial GWR probes - max viscosity 2000 mPa.s (cP) (except 7MS: max 500 mPa.s (cP))							
Level	ϵ_r 1,4 - 100	-40 °C up to +200 °C	max 70 bar	Yes	Yes	No	7MR/7MM
High temp / High pressure Interface	ϵ_r 1,4 - 100 ^③	-196 °C up to +425 °C	max 431 bar	Full	Yes	No	7MD/7ML
Saturated steam	ϵ_r 10 - 100	up to +300 °C	max 88 bar	Yes	No ^④	No	7MS
		up to +345 °C	max 155 bar	Yes	No ^④	No	7MQ
Interface	ϵ_r 1,4 - 100	-40 °C up to +200 °C	max 70 bar	Yes	Yes	No	7MT/7MN
Cage GWR probe - max viscosity 10.000 mPa.s (cP)							
Level/Interface	ϵ_r 1,4 - 100	-40 °C up to +200 °C	max 70 bar	Yes	Yes	Yes	7MG

① Each Eclipse probe can be used for vacuum service (negative pressure) but only the Borosilicate GWR probes (7MD/7ML) are suited for full vacuum conditions (Helium leak < 10⁻⁸ cc/s @ 1 bar abs.)
 ② Eclipse is ideally suited to be used on foaming applications but in specific conditions where dense foam can enter/hydrate in the stilling well, coaxial GWR probes are not recommended.
 ③ Depending spacer. See model selection 7MD/7ML GWR probe.
 ④ Consult factory for overflow applications.

DIMENSIONS in mm (inches)



EXPEDITE SHIP PLAN (ESP)

Several models are available for quick shipment, within max. 4 weeks after factory receipt of purchase order, through the Expedite Ship Plan (ESP).

Models covered by ESP service are conveniently colour coded in the selection data charts.

To take advantage of ESP, simply match the colour coded model number codes (standard dimensions apply).

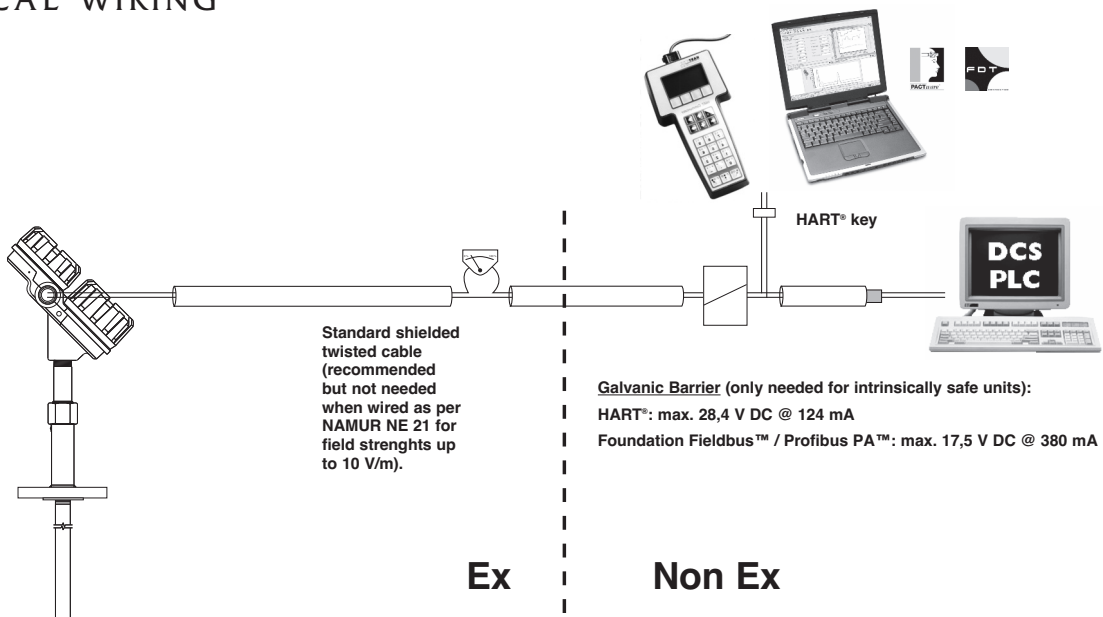
ESP service may not apply to orders of five units or more. Contact your local representative for lead times on larger volume orders, as well as other products and options.

SELECTION DATA

A complete measuring system consists of:

1. Eclipse transmitter head/electronics
2. Eclipse 705 GWR probe
3. Free of charge: Eclipse 705 DTM (PACT_{ware}[™]) can be downloaded from www.magnetrol.com.
4. Option: MACTek Viator USB HART[®] interface: order code: **070-3004-002**

ELECTRICAL WIRING



1. Order code for ECLIPSE 705 transmitter head/electronics

BASIC MODEL NUMBER

7 0 5	Eclipse 705 guided wave radar transmitter
-------	---

POWER

5	24 V DC, two wire loop powered
---	--------------------------------

OUTPUT AND ELECTRONICS

1 0	4-20 mA with HART® – standard electronics (SFF of 84.5%)
1 A	4-20 mA with HART® – SIL enhanced electronics (SFF of 91%) - certified
2 0	Foundation Fieldbus™ communication
3 0	Profibus PA™ communication

ACCESSORIES

A	Digital display and keypad
0	Blind transmitter (no display/keypad)

MOUNTING / HOUSING MATERIAL / APPROVAL^①

Integral mount electronics

Cast aluminium

1 1	Weatherproof
A 1	ATEX intrinsically safe (digit 5 = 1) / ATEX FISCO (digit 5 = 2 or 3)
C 1	ATEX flameproof enclosure
E 1	ATEX non sparking (digit 5 = 1) / ATEX FNICO (digit 5 = 2 or 3)

Cast SST^②

1 2	Weatherproof
A 2	ATEX intrinsically safe (digit 5 = 1) / ATEX FISCO (digit 5 = 2 or 3)
C 2	ATEX flameproof enclosure
E 2	ATEX non sparking (digit 5 = 1) / ATEX FNICO (digit 5 = 2 or 3)

84 cm (33") remote mount electronics

Cast aluminium

2 1	Weatherproof
B 1	ATEX intrinsically safe (digit 5 = 1) / ATEX FISCO (digit 5 = 2 or 3)
D 1	ATEX flameproof enclosure
F 1	ATEX non sparking (digit 5 = 1) / ATEX FNICO (digit 5 = 2 or 3)

Cast SST

2 2	Weatherproof
B 2	ATEX intrinsically safe (digit 5 = 1) / ATEX FISCO (digit 5 = 2 or 3)
D 2	ATEX flameproof enclosure
F 2	ATEX non sparking (digit 5 = 1) / ATEX FNICO (digit 5 = 2 or 3)

3,66 m (144") remote mount electronics (consult factory for applications with $\epsilon_r < 10$)

Cast aluminium

2 7	Weatherproof
B 7	ATEX intrinsically safe (digit 5 = 1) / ATEX FISCO (digit 5 = 2 or 3)
D 7	ATEX flameproof enclosure
F 7	ATEX non sparking (digit 5 = 1) / ATEX FNICO (digit 5 = 2 or 3)

Cast SST

2 8	Weatherproof
B 8	ATEX intrinsically safe (digit 5 = 1) / ATEX FISCO (digit 5 = 2 or 3)
D 8	ATEX flameproof enclosure
F 8	ATEX non sparking (digit 5 = 1) / ATEX FNICO (digit 5 = 2 or 3)

^① For IEC approval, use ATEX approval and clearly request IEC nameplate.

^② To reduce the possibility of probe damage due to vibration, it is recommended to use a remote mount transmitter when ordering the heavier 316 SST version.

CABLE ENTRY

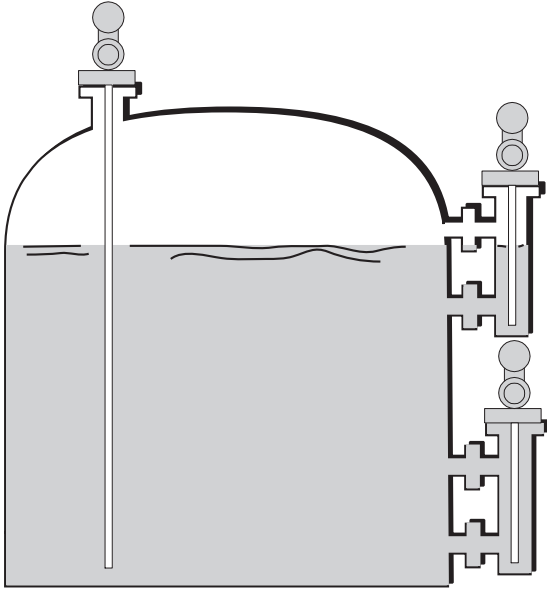
1	M20 x 1,5 (2 entries - 1 plugged)
0	3/4" NPT (2 entries - 1 plugged)



complete order code for ECLIPSE 705 transmitter head/electronics

➔ X = product with a specific customer requirement

MOUNTING – 7MR/7MM/7MT/7MN



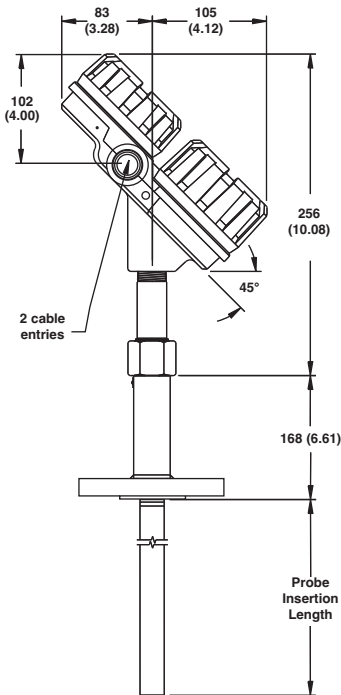
Overfill safe and Overfill proof

Eclipse 7MR, 7MM, 7MT and 7MN coaxial type GWR probes are “Overfill safe” in use and “Overfill proof” certified.

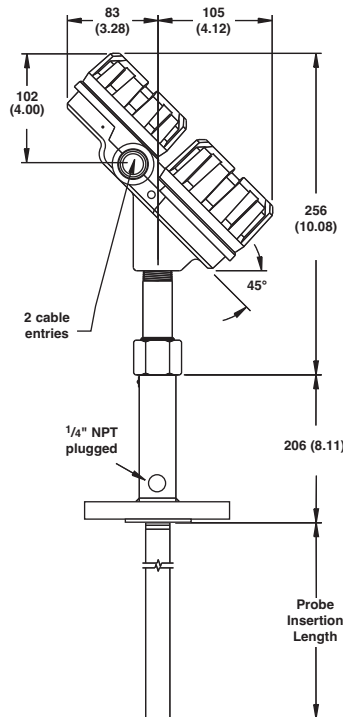
Overfill safe means that the unit is capable to measure up to the process connection. Units with “non overfill safe” probes use software to ignore level readings in the blocking distance or transitioning zone. When level rises too high in this zone, the unit may consider the end of probe reflection as the real level and may report an empty vessel instead of an overfilling vessel.

Overfill proof protection (such as WHG or VLAREM) certifies reliable operation when the transmitter is used as overfill alarm but assumes that the installation is designed in such way that the vessel/ cage cannot overflow.

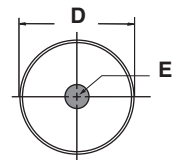
DIMENSIONS in mm (inches)



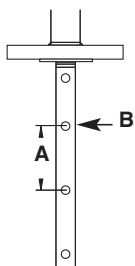
Large 7MR / 7MT with flanged connection



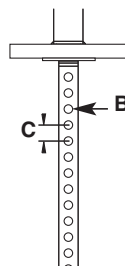
Large 7MM / 7MN with flanged connection



Coaxial GWR Probe, End View



Venting holes for 7MR/7MM



Venting holes for 7MT/7MN

Dim.	mm (inch)
A	305 (12)
B	Ø 12,7 (0.5)
C	25,4 (1)
D	45 (1.75) - SST 49 (1.93) - Hast. C and Monel
E	16 (0.63)

2. Order code for ECLIPSE 705 large coaxial GWR probe

BASIC MODEL NUMBER

GWR probe suited for external cage and/or in-tank mounting

7 M R	GWR probe for level	$\epsilon_r \geq 1,4$ - WHG approved
7 M M	GWR probe for level with flushing connection	$\epsilon_r \geq 1,4$
7 M T	GWR probe for interface	upper liq: $\epsilon_r \geq 1,4$ and ≤ 5 / lower liq: ≥ 15
7 M N	GWR probe for interface with flushing connection	upper liq: $\epsilon_r \geq 1,4$ and ≤ 5 / lower liq: ≥ 15

MATERIAL OF CONSTRUCTION

N	316/316L (1.4401/1.4404) stainless steel with Teflon® spacers
P	Hastelloy® C (2.4819) with Teflon® spacers
R	Monel® (2.4360) with Teflon® spacers

PROCESS CONNECTION - SIZE/TYPE (consult factory for other process connections)
For smaller process connections, consult bulletin BE 57-101

ANSI flanges

4 3	2"	150 lbs ANSI RF ①
4 4	2"	300 lbs ANSI RF ①
4 5	2"	600 lbs ANSI RF ①
5 3	3"	150 lbs ANSI RF
5 4	3"	300 lbs ANSI RF
5 5	3"	600 lbs ANSI RF
6 3	4"	150 lbs ANSI RF
6 4	4"	300 lbs ANSI RF
6 5	4"	600 lbs ANSI RF

EN (DIN) flanges ②

D A	DN 50	PN 16	EN 1092-1 Type A ①
D B	DN 50	PN 25/40	EN 1092-1 Type A ①
D D	DN 50	PN 63	EN 1092-1 Type B2 ①
D E	DN 50	PN 100	EN 1092-1 Type B2 ①
E A	DN 80	PN 16	EN 1092-1 Type A
E B	DN 80	PN 25/40	EN 1092-1 Type A
E D	DN 80	PN 63	EN 1092-1 Type B2
E E	DN 80	PN 100	EN 1092-1 Type B2
F A	DN 100	PN 16	EN 1092-1 Type A
F B	DN 100	PN 25/40	EN 1092-1 Type A
F D	DN 100	PN 63	EN 1092-1 Type B2
F E	DN 100	PN 100	EN 1092-1 Type B2

- ① Only for use with 316/316L (1.4401/1.4404) GWR probe. I.D. nozzle/cage must be ≥ 48 mm (1.89")
- ② Use pressure matching ANSI flange if combined with Magnetrol flanged external cage (bulletin BE 57-140).

Torque tube mating flanges ①

T T	300/600 lbs Fisher (249B/259B) in carbon steel - as per dimensions of Figure 1 on page 4
T U	300/600 lbs Fisher (249C) in stainless steel - as per dimensions of Figure 2 on page 4
U T	300/600 lbs Masoneilan flange in carbon steel - as per dimensions of Figure 3 on page 4
U U	300/600 lbs Masoneilan flange in stainless steel - as per dimensions of Figure 3 on page 4

- ① Always check dimensions if no ANSI/EN flanges are used.

PROCESS SEAL - MATERIAL ①

0	Viton® GFLT seal - for universal use	-40 °C (-40 °F) / +200 °C (+400 °F)
2	Kalrez® 4079 seal - for aggressive media	-40 °C (-40 °F) / +200 °C (+400 °F)
8	Aegis PF 128 seal – for steam② and NACE applications	-20 °C (-4 °F) / +200 °C (+400 °F)

- ① Consult factory for alternative seal materials. For Hydro Fluoric use, select X7MR or X7MT, "X = for HF use". For ammonia/chlorine applications use the 7MD GWR probe.
- ② Max +150 °C (+300 °F) for use on steam.

INSERTION LENGTH – specify per cm (0.39") increment

0 6 0	min 60 cm (24") with single bottom spacer
2 5 0	from 60 cm (24") up to 250 cm (98") with single bottom spacer
6 1 0	from 251 cm (99") up to 610 cm (240") with spacers every 250 cm (98")

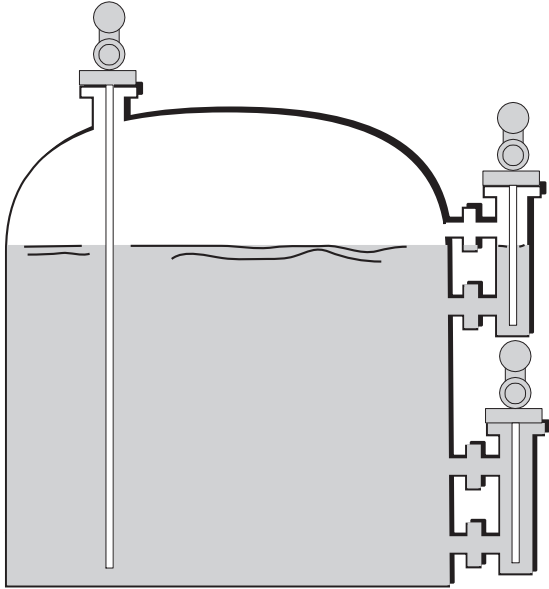
Consult factory for shorter or longer insertion lengths



complete order code for ECLIPSE 705 large coaxial GWR probe

➔ X = product with a specific customer requirement

MOUNTING – 7MD/7ML



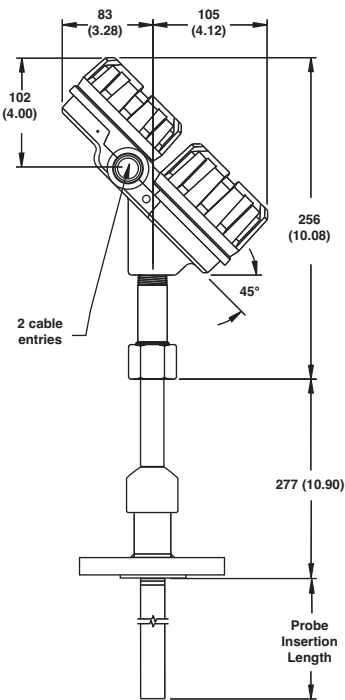
Overfill safe and Overfill protection

Eclipse 7MD and 7ML coaxial type GWR probes are “**Overfill safe**” in use and “**Overfill proof**” certified.

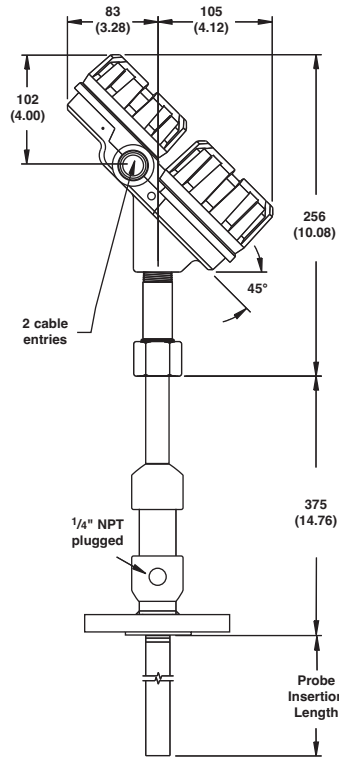
Overfill safe means that the unit is capable to measure up to the process connection. Units with “non overfill safe” probes use software to ignore level readings in the blocking distance or transitioning zone. When level rises too high in this zone, the unit may consider the end of probe reflection as the real level and may report an empty vessel instead of an overflowing vessel.

Overfill proof protection (such as WHG or VLAREM) certifies reliable operation when the transmitter is used as overfill alarm but assumes that the installation is designed in such way that the vessel/ cage cannot overflow.

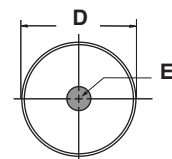
DIMENSIONS in mm (inches)



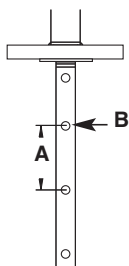
**Large 7MD
with flanged connection**



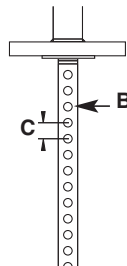
**Large 7ML
with flanged connection**



**Coaxial GWR Probe,
End View**



**Venting holes
for 7MD/7ML - level**



**Venting holes
for 7MD/7ML - interface
(order per "X" description)**

Dim.	mm (inch)
A	305 (12)
B	Ø 12,7 (0.5)
C	25,4 (1)
D	45 (1.75) - SST 49 (1.93) - Hast. C and Monel
E	16 (0.63)

2. Order code for ECLIPSE 705 large High Temperature / High Pressure coaxial GWR probe

7 M D	Large HTHP GWR probe for level/interface - max +345 °C	$\epsilon_r \geq 1,7$ ^①
7 M L	Large HTHP GWR probe for level/interface with flushing connection - max +345 °C	$\epsilon_r \geq 1,7$ ^①

- ① Consult bulletin BE 57-101 for lower ϵ_r and higher temp. up to +430 °C.
 $\epsilon_r \geq 1,4$ for GWR probes with single bottom spacer.
For interface measurement: order per "X" description; upper liquid: $\epsilon_r \geq 1,4$ or 1,7 and ≤ 5 / lower liquid: $\epsilon_r \geq 15$

MATERIAL OF CONSTRUCTION

N	316/316L (1.4401/1.4404) stainless steel with PEEK spacers
P	Hastelloy® C (2.4819) with PEEK spacers
R	Monel® (2.4360) with PEEK spacers

PROCESS CONNECTION - SIZE/TYPE (consult factory for other process connections)
 For smaller process connections, consult bulletin BE 57-101

ANSI flanges

4 3	2"	150 lbs	ANSI RF	①
4 4	2"	300 lbs	ANSI RF	①
4 5	2"	600 lbs	ANSI RF	①
4 K	2"	600 lbs	ANSI RJ	①
5 3	3"	150 lbs	ANSI RF	
5 4	3"	300 lbs	ANSI RF	
5 5	3"	600 lbs	ANSI RF	
5 K	3"	600 lbs	ANSI RJ	
5 L	3"	900 lbs	ANSI RJ	
5 M	3"	1500 lbs	ANSI RJ	
5 N	3"	2500 lbs	ANSI RJ	
6 3	4"	150 lbs	ANSI RF	
6 4	4"	300 lbs	ANSI RF	
6 5	4"	600 lbs	ANSI RF	
6 K	4"	600 lbs	ANSI RJ	
6 L	4"	900 lbs	ANSI RJ	
6 M	4"	1500 lbs	ANSI RJ	
6 N	4"	2500 lbs	ANSI RJ	

EN (DIN) flanges ②

D A	DN 50	PN 16	EN 1092-1 Type A	①
D B	DN 50	PN 25/40	EN 1092-1 Type A	①
D D	DN 50	PN 63	EN 1092-1 Type B2	①
D E	DN 50	PN 100	EN 1092-1 Type B2	①
E A	DN 80	PN 16	EN 1092-1 Type A	
E B	DN 80	PN 25/40	EN 1092-1 Type A	
E D	DN 80	PN 63	EN 1092-1 Type B2	
E E	DN 80	PN 100	EN 1092-1 Type B2	
E F	DN 80	PN 160	EN 1092-1 Type B2	
E G	DN 80	PN 250	EN 1092-1 Type B2	
E H	DN 80	PN 320	EN 1092-1 Type B2	
E J	DN 80	PN 400	EN 1092-1 Type B2	
F A	DN 100	PN 16	EN 1092-1 Type A	
F B	DN 100	PN 25/40	EN 1092-1 Type A	
F D	DN 100	PN 63	EN 1092-1 Type B2	
F E	DN 100	PN 100	EN 1092-1 Type B2	
F F	DN 100	PN 160	EN 1092-1 Type B2	
F G	DN 100	PN 250	EN 1092-1 Type B2	
F H	DN 100	PN 320	EN 1092-1 Type B2	
F J	DN 100	PN 400	EN 1092-1 Type B2	

- ① Only for use with 316/316L (1.4401/1.4404) GWR probe.
 I.D. nozzle/cage must be ≥ 48 mm (1.89")
 ② Use pressure matching ANSI flange if combined with Magnetrol flanged external cage (bulletin BE 57-140).

Torque tube mating flanges ①

T T	300/600 lbs Fisher (249B/259B) in carbon steel - as per dimensions of Figure 1 on page 4
T U	300/600 lbs Fisher (249C) in stainless steel - as per dimensions of Figure 2 on page 4
U T	300/600 lbs Masoneilan flange in carbon steel - as per dimensions of Figure 3 on page 4
U U	300/600 lbs Masoneilan flange in stainless steel - as per dimensions of Figure 3 on page 4

- ① Always check dimensions if no ANSI/EN flanges are used.

PROCESS SEAL MATERIAL

N	Borosilicate / Inconel® X-750 seal – for non steam applications	-196 °C (-320 °F) / +345 °C (+650 °F)
---	---	---------------------------------------

INSERTION LENGTH – specify per cm (0.39") increment

0 6 0	min 60 cm (24") with single bottom spacer
2 5 0	from 60 cm (24") up to 250 cm (98") with single bottom spacer
6 1 0	from 251 cm (99") up to 610 cm (240") with spacers every 250 cm (98")

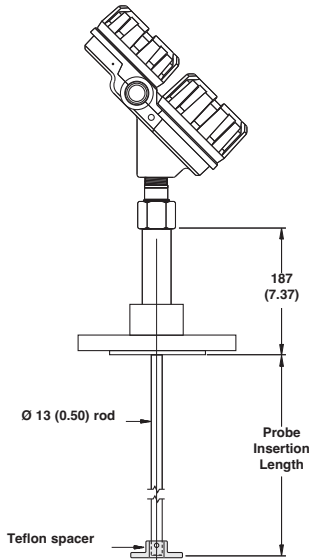
Consult factory for shorter or longer insertion lengths



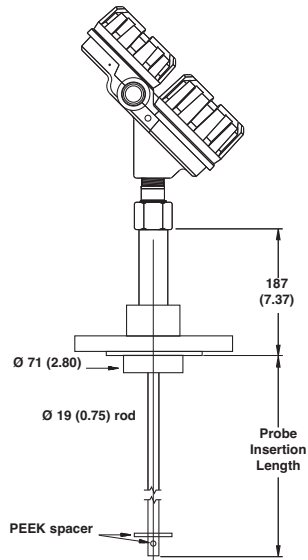
complete order code for ECLIPSE 705 large High Temperature / High Pressure coaxial GWR probe

X = product with a specific customer requirement

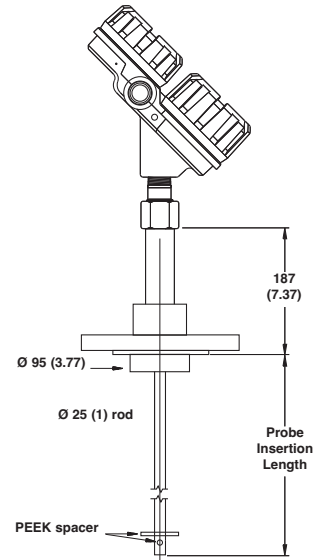
DIMENSIONS in mm (inches)



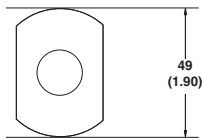
**7MG - 2" cage
max 6,1 m (240")**



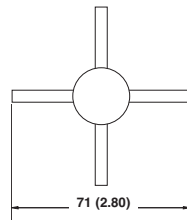
**7MG - 3" cage
max 6,1 m (240")**



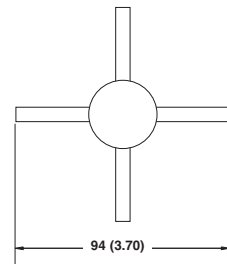
**7MG - 4" cage
max 6,1 m (240")**



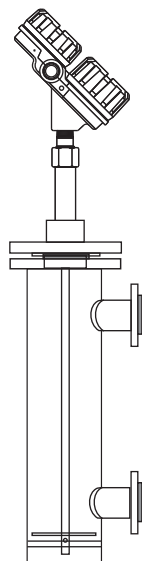
Spacer (end view)



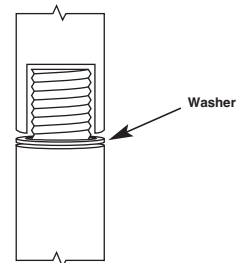
Spacer (end view)



Spacer (end view)



Sectionized



**For ordering of a new cage,
consult bulletin BE 57-140**

2. Order code for ECLIPSE 705 Cage GWR probe

BASIC MODEL NUMBER

7 M G	Cage GWR probe for level and interface - dirty liquids (max. 10.000 mPa.s (cP))	$\epsilon_r \geq 1,4$ ^①
-------	---	------------------------------------

^① For interface measurement; upper liquid: $\epsilon_r \geq 1,4$ and ≤ 5 / lower liquid: $\epsilon_r \geq 15$

MATERIAL OF CONSTRUCTION

A	316/316L (1.4401/1.4404) stainless steel with Teflon® bottom spacer ^①
B	Hastelloy® C (2.4819) with Teflon® bottom spacer ^①
C	Monel® (2.4360) with Teflon® bottom spacer ^①

^① PEEK spacers for the probes suited for 3" and 4" cages.

PROCESS CONNECTION - SIZE/TYPE (consult factory for other process connections)

ANSI flanges

Probes for 2" cages

4 3	2"	150 lbs ANSI RF
4 4	2"	300 lbs ANSI RF
4 5	2"	600 lbs ANSI RF

Probes for 3" cages

5 3	3"	150 lbs ANSI RF
5 4	3"	300 lbs ANSI RF
5 5	3"	600 lbs ANSI RF

Probes for 4" cages

6 3	4"	150 lbs ANSI RF
6 4	4"	300 lbs ANSI RF
6 5	4"	600 lbs ANSI RF

EN (DIN) flanges ^①

Probes for 2" cages

D A	DN 50	PN 16	EN 1092-1	Type A
D B	DN 50	PN 25/40	EN 1092-1	Type A
D D	DN 50	PN 63	EN 1092-1	Type B2
D E	DN 50	PN 100	EN 1092-1	Type B2

Probes for 3" cages

E A	DN 80	PN 16	EN 1092-1	Type A
E B	DN 80	PN 25/40	EN 1092-1	Type A
E D	DN 80	PN 63	EN 1092-1	Type B2
E E	DN 80	PN 100	EN 1092-1	Type B2

Probes for 4" cages

F A	DN 100	PN 16	EN 1092-1	Type A
F B	DN 100	PN 25/40	EN 1092-1	Type A
F D	DN 100	PN 63	EN 1092-1	Type B2
F E	DN 100	PN 100	EN 1092-1	Type B2

^① Use pressure matching ANSI flange if combined with Magnetrol flanged external cage (bulletin BE 57-140).

PROCESS SEAL - MATERIAL ^①

0	Viton® GFLT seal - for universal use	-40 °C (-40 °F) / +200 °C (+400 °F)
2	Kalrez® 4079 seal - for aggressive media	-40 °C (-40 °F) / +200 °C (+400 °F)
8	Aegis PF 128 seal – for NACE applications	-20 °C (-4 °F) / +200 °C (+400 °F)

^① Consult factory for alternative seal materials. For ammonia/chlorine applications use the 7MD GWR probe.

INSERTION LENGTH – specify per cm (0.39") increment

0 6 0	min 60 cm (24")
6 1 0	max 610 cm (240")

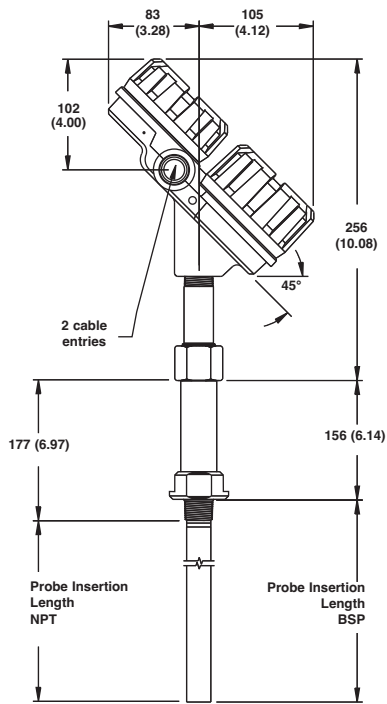
Note: for sectionized probes, specify "X7MG"; X = the length of the segmented parts.
The specified length as per partn^o represents the total length.



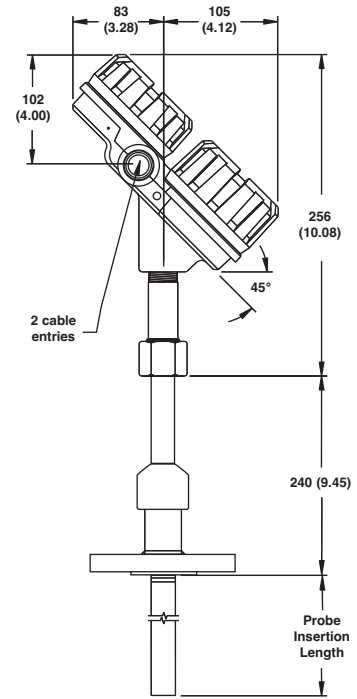
complete order code for ECLIPSE 705 Cage GWR probe

→ X = product with a specific customer requirement

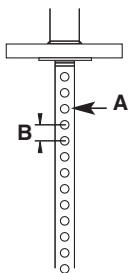
DIMENSIONS in mm (inches)



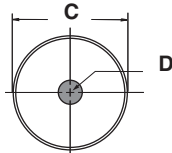
**7MS/7MQ
with threaded connection**



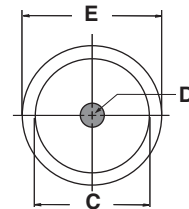
**7MS/7MQ
with flanged connection**



**Venting holes
for 7MS/7MQ**



7MS End View



7MQ End View

Dim.	mm (inch)
A	Ø 6,4 (0.25)
B	19 (0.75)
C	22,5 (0.88)
D	8 (0.315)
E	32 (1.25)

2. Order code for ECLIPSE 705 Coaxial GWR probe for saturated steam

7 M S	Coaxial GWR probe for saturated steam applications, incl. steam compensation / reference target; 300 °C (575 °F) max.
7 M Q	Coaxial GWR probe for saturated steam applications, incl. steam compensation / reference target; 345 °C (650 °F) max.

MATERIAL OF CONSTRUCTION

A	316/316L (1.4401/1.4404) stainless steel
---	--

PROCESS CONNECTION - SIZE/TYPE (consult factory for other process connections)

Threaded^①

1 1	3/4" NPT
-----	----------

2 2	1" BSP (G 1")
-----	---------------

ANSI flanges

2 3	1"	150 lbs	ANSI RF ^①
2 4	1"	300 lbs	ANSI RF ^①
2 5	1"	600 lbs	ANSI RF ^①
2 K	1"	600 lbs	ANSI RJ ^①
2 L	1"	900 lbs	ANSI RJ ^①
3 3	1 1/2"	150 lbs	ANSI RF
3 4	1 1/2"	300 lbs	ANSI RF
3 5	1 1/2"	600 lbs	ANSI RF
3 K	1 1/2"	600 lbs	ANSI RJ
3 M	1 1/2"	900/1500 lbs	ANSI RJ
3 N	1 1/2"	2500 lbs	ANSI RJ
4 3	2"	150 lbs	ANSI RF
4 4	2"	300 lbs	ANSI RF
4 5	2"	600 lbs	ANSI RF
4 K	2"	600 lbs	ANSI RJ
4 M	2"	900/1500 lbs	ANSI RJ

4 N	2"	2500 lbs	ANSI RJ
5 3	3"	150 lbs	ANSI RF
5 4	3"	300 lbs	ANSI RF
5 5	3"	600 lbs	ANSI RF
5 K	3"	600 lbs	ANSI RJ
5 L	3"	900 lbs	ANSI RJ
5 M	3"	1500 lbs	ANSI RJ
5 N	3"	2500 lbs	ANSI RJ
6 3	4"	150 lbs	ANSI RF
6 4	4"	300 lbs	ANSI RF
6 5	4"	600 lbs	ANSI RF
6 K	4"	600 lbs	ANSI RJ
6 L	4"	900 lbs	ANSI RJ
6 M	4"	1500 lbs	ANSI RJ
6 N	4"	2500 lbs	ANSI RJ

EN (DIN) flanges^②

B B	DN 25	PN 16/25/40	EN 1092-1 Type A ^①
B C	DN 25	PN 63/100	EN 1092-1 Type B2 ^①
B F	DN 25	PN 160	EN 1092-1 Type B2 ^①
C B	DN 40	PN 16/25/40	EN 1092-1 Type A
C C	DN 40	PN 63/100	EN 1092-1 Type B2
C F	DN 40	PN 160	EN 1092-1 Type B2
C G	DN 40	PN 250	EN 1092-1 Type B2
C H	DN 40	PN 320	EN 1092-1 Type B2
C J	DN 40	PN 400	EN 1092-1 Type B2
D A	DN 50	PN 16	EN 1092-1 Type A
D B	DN 50	PN 25/40	EN 1092-1 Type A
D D	DN 50	PN 63	EN 1092-1 Type B2
D E	DN 50	PN 100	EN 1092-1 Type B2
D F	DN 50	PN 160	EN 1092-1 Type B2
D G	DN 50	PN 250	EN 1092-1 Type B2
D H	DN 50	PN 320	EN 1092-1 Type B2

D J	DN 50	PN 400	EN 1092-1 Type B2
E A	DN 80	PN 16	EN 1092-1 Type A
E B	DN 80	PN 25/40	EN 1092-1 Type A
E D	DN 80	PN 63	EN 1092-1 Type B2
E E	DN 80	PN 100	EN 1092-1 Type B2
E F	DN 80	PN 160	EN 1092-1 Type B2
E G	DN 80	PN 250	EN 1092-1 Type B2
E H	DN 80	PN 320	EN 1092-1 Type B2
E J	DN 80	PN 400	EN 1092-1 Type B2
F A	DN 100	PN 16	EN 1092-1 Type A
F B	DN 100	PN 25/40	EN 1092-1 Type A
F D	DN 100	PN 63	EN 1092-1 Type B2
F E	DN 100	PN 100	EN 1092-1 Type B2
F F	DN 100	PN 160	EN 1092-1 Type B2
F G	DN 100	PN 250	EN 1092-1 Type B2
F H	DN 100	PN 320	EN 1092-1 Type B2
F J	DN 100	PN 400	EN 1092-1 Type B2

Torque tube mating flanges^③

T T	300/600 lbs Fisher (249B/259B) in carbon steel - as per dimensions of Figure 1 on page 4
T U	300/600 lbs Fisher (249C) in stainless steel - as per dimensions of Figure 2 on page 4
U T	300/600 lbs Masoneilan flange in carbon steel - as per dimensions of Figure 3 on page 4
U U	300/600 lbs Masoneilan flange in stainless steel - as per dimensions of Figure 3 on page 4

- ① Not available with 7MQ probe.
- ② Use pressure matching ANSI flange if combined with Magnetrol flanged external cage (bulletin BE 57-140).
- ③ Always check dimensions if no ANSI/EN flanges are used.

PROCESS SEAL MATERIAL

8	Steam seal
---	------------

INSERTION LENGTH – specify per cm (0.39") increment

0 6 0	min 60 cm (24") with single bottom spacer
4 5 0	max 450 cm (177") with spacers every 60 cm (24")



complete order code for ECLIPSE 705 Coaxial GWR probe for saturated steam

➔ X = product with a specific customer requirement

2. Order code for Eclipse® 705 Top/Bottom GWR probe and cage

In order to re-assure that no incorrect dimensions are provided, please specify with your order the following dimensions (see drawings at bottom of page):

- dimension A: top of process connection up to 20 mA range
- dimension B: bottom of process connection up to 4 mA range
- level range, if different from 356 mm (14").

BASIC MODEL NUMBER

GWR probe suited for in-line external cage mounting

7 E K	Top/Bottom GWR probe and cage - Overfill safe
-------	---

MATERIAL OF CONSTRUCTION - wetted parts (including process connection flange when applicable)

	Cage and Flanges	GWR probe
K	316/316L (1.4401/1.4404) stainless steel	316/316L (1.4401/1.4404) stainless steel
M	Carbon steel	

PROCESS CONNECTION - SIZE/TYPE

Threaded

3	1	1 1/2" NPT
4	1	2" NPT

Welded

3	9	1 1/2" socket weld
4	9	2" socket weld

ANSI flanges

3	3	1 1/2"	150 lbs ANSI RF
3	4	1 1/2"	300 lbs ANSI RF
3	5	1 1/2"	600 lbs ANSI RF
4	3	2"	150 lbs ANSI RF
4	4	2"	300 lbs ANSI RF
4	5	2"	600 lbs ANSI RF

LEVEL RANGE

A	356 mm (14")
---	--------------

OPTIONS

0	None
2	Sight glass connections (sight glass not included)

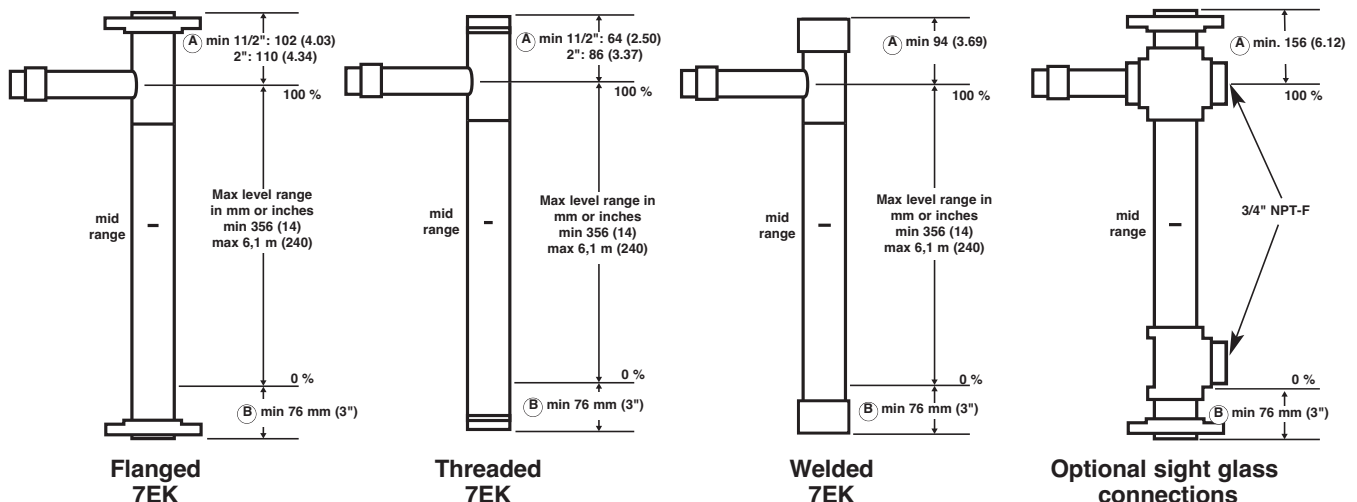
LIQUID TYPE / OPERATING TEMPERATURE

1	0	Conductive liquids ($\epsilon_r \geq 10$)	max +315 °C (+600 °F)
2	0	All liquids ($\epsilon_r \geq 1,4$)	max +260 °C (+500 °F)

7 E K A 0 complete order code for ECLIPSE 705 Top/Bottom GWR probe and cage

X = product with a specific customer requirement

DIMENSIONS in mm (inches)



TRANSMITTER SPECIFICATIONS

FUNCTIONAL/PHYSICAL

Description		Specification
Power (at terminals)		HART®: - Weatherproof / ATEX flameproof enclosure / ATEX non sparking: 11 to 36 V DC - ATEX Intrinsically Safe: 11 to 28,4 V DC Foundation Fieldbus™ / Profibus PA™: - Weatherproof / ATEX flameproof enclosure / ATEX FNICO: 9 to 32 V DC - ATEX FISCO: 9 to 17,5 V DC
Output		4-20 mA with HART®, 3,8 mA to 20,5 mA useable (meets NAMUR NE 43) – HART 6, Foundation Fieldbus™ H1 or Profibus PA™ H1
Span		15 cm to 22 m (6" to 72.18") depending on selected probe
Resolution		Analog: 0,01 mA Display: 0,1 (cm or inch)
Loop Resistance		630 Ω @ 20,5 mA - 24 V DC
Damping		Adjustable 0-10 s
Diagnostic Alarm		Adjustable 3,6 mA, 22 mA, HOLD last output
User Interface		HART® communicator, AMS® or PACTware™, Foundation Fieldbus™, Profibus PA™ and/or 3-button keypad
Display		2-line x 8-character LCD
Menu Language		English/Spanish/French/German (Foundation Fieldbus™, Profibus PA™: English)
Housing Material		IP 66/Aluminium A356T6 (< 0.20 % copper) or stainless steel
Approvals		ATEX II 3 (1) G EEx nA [ia] IIC T6, non sparking (probe can be used in flammable liquids) ATEX II 3 (1) G EEx nA [nL][ia] IIC T6, FNICO – non incendive ^① (probe can be used in flammable liquids) ATEX II 1 G Ex ia IIC T4 Ga, intrinsically safe ATEX II 1 G Ex ia IIC T4 Ga, FISCO – intrinsically safe ^① ATEX II 1/2 G Ex d[ia Ga] IIC T6 Gb ^② ATEX II 1/2 D Ex t[ia Da] IIIC T85°C Db IP66 ^② IEC Ex d[ia Ga] IIC T6 Gb IEC Ex t[ia Da] IIIC T85°C Db IP66 IEC Ex ia IIC T4 Ga, intrinsically safe IEC Ex ia IIC T4 Ga, FISCO – intrinsically safe ^① IEC Ex ic[ia Ga] IIC T4 Gc EN 12952-11 and EN 12953-9 CE approved for steam drums as primary level safety device TÜV – WHG § 63, VLAREM II 5.17-7 LRS – Lloyds Register of Shipping (marine applications) Other approvals are available, consult factory for more details
SIL ^③ (Safety Integrity Level)	Standard electronics	Functional safety to SIL 1 as 1oo1 / SIL 2 as 1oo2 in accordance to IEC 61508 – SFF of 84,5 %
	Enhanced electronics	Functional safety to SIL 2 as 1oo1 in accordance to IEC 61508 – SFF of 91 % Certified for use in SIL 3 loops.
Electrical Data		Ui = 28,4 V, li = 124 mA, Pi = 0,84 W (HART®) Ui = 17,5 V, li = 380 mA, Pi = 5,32 W (Foundation Fieldbus™ / Profibus PA™)
Equivalent Data		Ci = 2,2 nF, Li = 3 μH (HART®) Ci = 3 nF, Li = 3 μH (Foundation Fieldbus™ / Profibus PA™)
Shock/Vibration Class		ANSI/ISA-S71.03 Class SA1 (Shock), ANSI/ISA-S71.03 Class VC2 (Vibration)
Surge protection		Meets CE EN 61326 (1000V)
Net weight	Cast aluminium	2,7 kg (6.0 lbs) – transmitter head / electronics only
	Stainless steel	5,7 kg (12.6 lbs) – transmitter head / electronics only
Overall Dimensions		H 214 mm (8.43") x W 111 mm (4.38") x D 188 mm (7.40")
Foundation Fieldbus™ specifications	ITK Version	5.0
	H1 Device Class	Link Master (LAS) – selectable ON/OFF
	Function Blocks	1 x RB, 4 x AI, 1 x TB and 1 x PID
	Execution time	AI = 15 ms, PID = 40 ms
	Quiescent current draw	15 mA
	DD/CFF files	Available at www.fieldbus.org
Profibus PA specifications	Device revision	0x01
	Digital communication protocols	Version 3.0 MBP (31.25 kbits/sec)
	Function Blocks	1 x PB, 4 x AI blocks, 1 x TB
	Execution time	15 ms
	Quiescent current draw	15 mA
	GSD files	Available at www.profibus.com

^① Foundation Fieldbus™ and Profibus PA™ units.

^② For ATEX flameproof enclosure units use Ex d bushing material STYCAST 2057 FR.

^③ Not applicable for Foundation Fieldbus™ and Profibus PA™ units.

PERFORMANCE

Description		Specification
Reference Conditions with a 1,8 m (72") coaxial type GWR probe		Reflection from liquid, with dielectric in center of selected range, at +20 °C (70 °F) with CFD threshold ^①
Linearity		< 0,1 % of probe length or 2,5 mm (0.1"), whichever is greater
Accuracy ^②	Level measurement	< 0,1 % of probe length or 2,5 mm (0.1"), whichever is greater
	Interface measurement	± 25 mm (1")
Resolution		± 2,5 mm (0.1")
Repeatability		< 2,5 mm (0.1")
Hysteresis		< 2,5 mm (0.1")
Response Time		< 1 second
Warm-up Time		< 5 seconds
Ambient Temp.		-40 °C to +80 °C (-40 °F to +175 °F) – blind transmitter -20 °C to +70 °C (-5 °F to +160 °F) – with digital display -40 °C to +70 °C (-40 °F to +160 °F) – for Ex ia and Ex d[ia] with blind transmitter -20 °C to +70 °C (-5 °F to +160 °F) – for Ex ia and Ex d[ia] with digital display
Process Dielectric Effect		< 7,5 mm (0.3") within selected range
Operating Temp. Effect		Approx. +0,02 % of probe length/°C for probes ≥ 2,5 m (8') ^③
Humidity		0-99 %, non-condensing
Electromagnetic Compatibility		Meets CE requirements (EN 61326: 1997 + A1 + A2) and NAMUR NE 21

PROBE SPECIFICATIONS

Description		7MR/7MM: overfill protection coaxial probe
Materials	Probe	316/316L (1.4401/1.4404), Hastelloy® C (2.4819) or Monel® (2.4360)
	Process seal	Teflon® with Viton® GFLT, Aegis PF 128 or Kalrez® 4079 (consult factory for alternatives)
	Spacers	Teflon®
Probe diameter	Stainless steel	Inside rod 16 mm (0.63") – outer tube 45 mm (1.75")
	Hast. C / Monel®	Inside rod 16 mm (0.63") – outer tube 49 mm (1.93")
Mounting		External cage and/or in-tank mounting
Process Connection		Flanged: various ANSI, EN (DIN) or torque tube mating flanges
Probe length		From 60 cm to 610 cm (24" to 240")
Transition Zone ^④	Top	0 mm (0")
	Bottom	εr: 1,4 = 150 mm (6") / εr: 80 = 25 mm (1")
Process Temp. ^⑤	Max	+200 °C @ 18,6 bar (+400 °F @ 270 psi)
	Min	-40 °C @ 51,7 bar (-40 °F @ 750 psi)
Max. Process Pressure ^⑤		70 bar @ +20 °C (1000 psi @ +70 °F)
Max. Viscosity		2000 mPa.s (cP)
Dielectric Range		1,4 to 100
Vacuum Service		Negative pressure but not hermetic seal
Media coating		In case of media coating, select 7MM probe

Description		7MD/7ML: high pressure / high temperature GWR probe
Materials	Probe	316/316L (1.4401/1.4404), Hastelloy® C (2.4819) or Monel® (2.4360)
	Process seal	Borosilicate / Inconel® X-750
	Spacers	PEEK
Probe diameter	Stainless steel	Inside rod 16 mm (0.63") – outer tube 45 mm (1.75")
	Hast. C / Monel®	Inside rod 16 mm (0.63") – outer tube 49 mm (1.93")
Mounting		External cage and/or in-tank mounting
Process Connection		Flanged: various ANSI, EN (DIN) or torque tube mating flanges
Probe length		From 60 cm to 610 cm (24" to 240")
Transition Zone ^④	Top	0 mm (0")
	Bottom	εr: 1,4 = 150 mm (6") / εr: 80 = 25 mm (1")
Process Temp. ^⑤	Max	+345 °C @ 324 bar (+650 °F @ 4700 psi)
	Min	-196 °C @ 138 bar (-320 °F @ 2000 psi)
Max. Process Pressure ^⑤		431 bar @ +20 °C (6250 psi @ +70 °F)
Max. Viscosity		2000 mPa.s (cP)
Dielectric Range	Level	Probes ≤ 2,5 m: εr ≥ 1,4 with single bottom spacer Probes > 2,5 m: εr ≥ 1,7
	Interface	Upper liquid: εr ≥ 1,4 or 1,7 (see above) and ≤ 5 Lower liquid: εr ≥ 15
Vacuum service		Full vacuum (Helium leak < 10 ⁻⁸ cc/s @ 1 atmosphere vacuum)
Media coating		In case of media coating, select 7ML probe

① May degrade for 7MD/7ML probe or with fixed threshold.

② Accuracy may degrade when using compensation.

③ Accuracy may degrade slightly < 2,5 m (8')

④ Transition Zone (zone with reduced accuracy) is dielectric dependent; εr = dielectric permittivity. It is recommended to set 4-20 mA signal outside transition zones.

⑤ See graphs at page 21 and 22.

Description		7MS: saturated steam GWR probe	7MQ: saturated steam GWR probe
Materials	Probe	316/316L (1.4401/1.4404)	
	Process seal	High Temp PEEK with Aegis PF 128	High Temp PEEK with Aegis PF 128 Alumina
	Spacers	High Temp PEEK	Silicon nitride
Probe diameter		Inside rod 8 mm (0.315) – outer tube 22,5 mm (0,88")	Inside rod 8 mm (0.315) – outer tube 32 mm (1,25")
Mounting		External cage and/or in-tank mounting	
Process Connection		Threaded: 3/4" NPT or 1" BSP (G 1") Flanged: various ANSI, EN (DIN) or torque tube mating flanges	Threaded: not available Flanged: various ANSI, EN (DIN) or torque tube mating flanges
Probe length		From 60 cm to 450 cm (24" to 177")	
Transition Zone ^①	Top	200 mm (8"); consult factory for overflow applications	
	Bottom	$\epsilon_r \geq 10 = 25 \text{ mm (1")}$	
Process Temp. ^②	Max	+300 °C @ 88 bar (+575 °F @ 1275 psi)	+345 °C @ 155 bar (+650 °F @ 2250 psi)
	Min	-15 °C @ 207 bar (0 °F @ 3000 psi)	
Max. Process Pressure ^②		88 bar @ +300 °C (1275 psi @ +575 °F)	155 bar @ +345 °C (2250 psi @ +650 °F)
Max. Viscosity		500 mPa.s (cP)	
Dielectric Range		10 to 100	
Vacuum service		Negative pressure but not hermetic seal	
Media coating		Not applicable	

Description		7MT/7MN: interface GWR probe	
Materials	Probe	316/316L (1.4401/1.4404), Hastelloy® C (2.4819) or Monel® (2.4360)	
	Process seal	Teflon® with Viton® GFLT, Aegis PF 128 or Kalrez® 4079 (consult factory for alternatives)	
	Spacers	Teflon®	
Probe diameter	Stainless steel	Inside rod 16 mm (0.63") – outer tube 45 mm (1.75")	
	Hast. C / Monel®	Inside rod 16 mm (0.63") – outer tube 49 mm (1.93")	
Mounting		External cage and/or in-tank mounting	
Process Connection		Flanged: various ANSI, EN (DIN) or torque tube mating flanges	
Probe length		From 60 cm to 610 cm (24" to 240")	
Transition Zone ^①	Top	0 mm (0")	
	Bottom	$\epsilon_r: 1,4 = 150 \text{ mm (6")}/\epsilon_r: 80 = 50 \text{ mm (2")}$	
Process Temp. ^②	Max	+200 °C @ 18,6 bar (+400 °F @ 270 psi)	
	Min	-40 °C @ 51,7 bar (-40 °F @ 750 psi)	
Max. Process Pressure ^②		70 bar @ +20 °C (1000 psi @ +70 °F)	
Max. Viscosity		2000 mPa.s (cP)	
Dielectric Range		Upper liquid: $\epsilon_r \geq 1,4$ and ≤ 5 Lower liquid: $\epsilon_r \geq 15$	
Vacuum service		Negative pressure but not hermetic seal	
Media coating		In case of media coating, select 7MN probe	

^① Transition Zone (zone with reduced accuracy) is dielectric dependent;

ϵ_r = dielectric permittivity. It is recommended to set 4-20 mA signal outside transition zones.

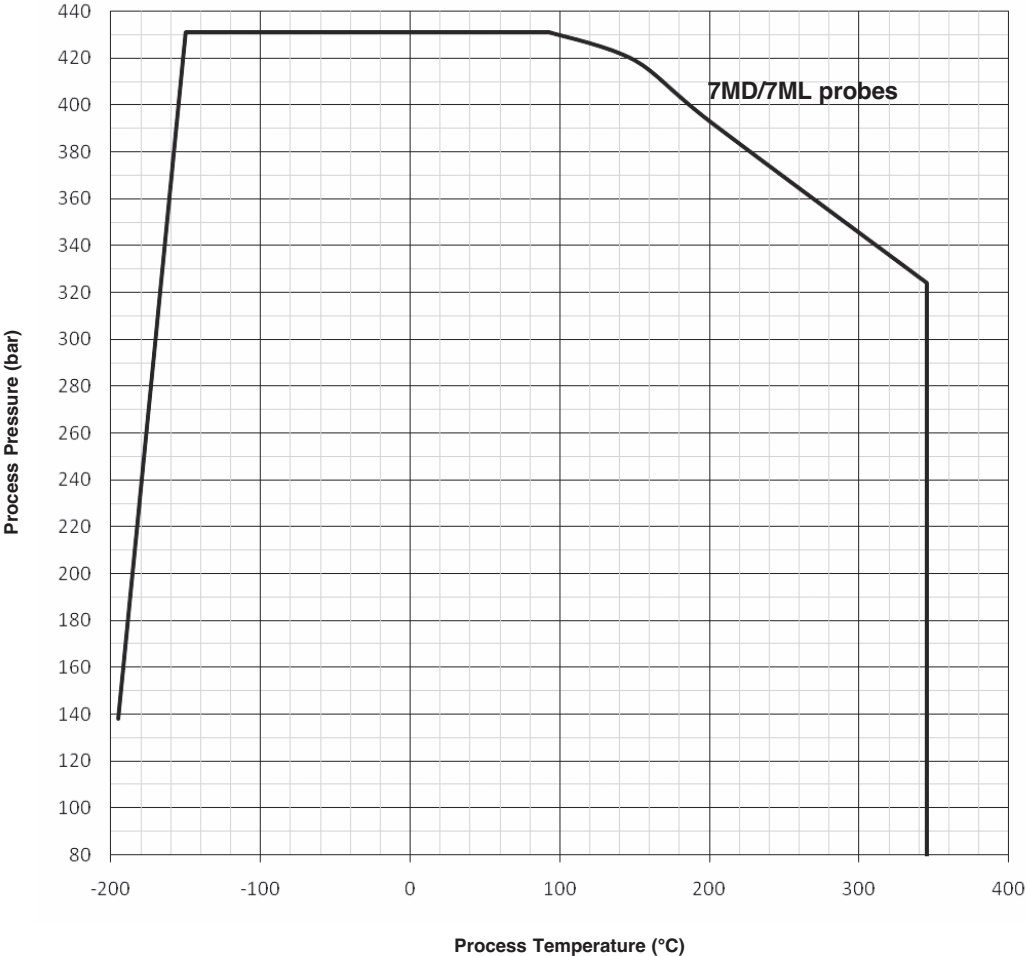
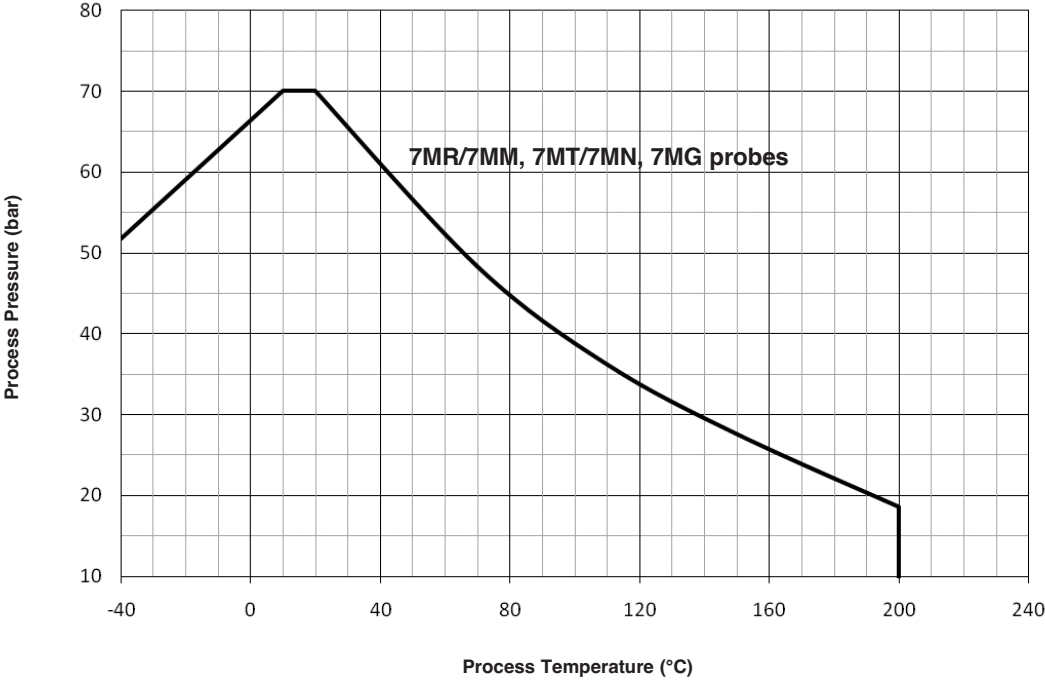
^② See graphs at page 21 and 22.

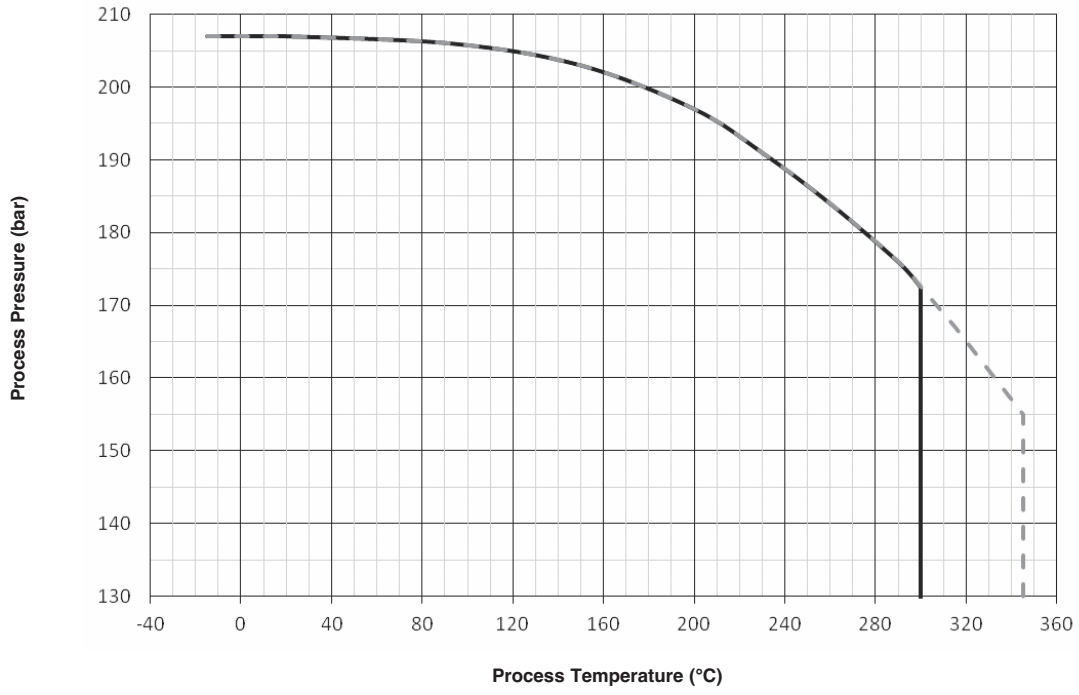
Description		7MG: cage GWR probe
Materials	Probe	316/316L (1.4401/1.4404), Hastelloy® C (2.4819) or Monel® (2.4360)
	Process seal	Teflon® with Viton® GFLT, Aegis PF 128 or Kalrez® 4079 (consult factory for alternatives)
	Bottom spacer	2" cage: Teflon®; 3" and 4" cage: PEEK
Probe diameter	2" cage	13 mm (0.50")
	3" cage	19 mm (0.75")
	4" cage	25 mm (1")
Mounting	In a 2", 3" or 4" cage / schedule pipe stillwell or bridle	
Process Connection	Flanged: various ANSI or EN (DIN) flanges	
Probe length	From 60 cm to 610 cm (24" to 240")	
Transition Zone ^①	Top	0 mm (0")
	Bottom	Er: 1,4 = 150 mm (6")/Er: 80 = 50 mm (2")
Process Temp. ^②	Max	+200 °C @ 18,6 bar (+400 °F @ 270 psi)
	Min	-40 °C @ 51,7 bar (-40 °F @ 750 psi)
Max. Process Pressure ^②	70 bar @ +20 °C (1000 psi @ +70 °F)	
Max. Viscosity	10.000 mPa.s (cP)	
Dielectric Range	Level	Er ≥ 1,4
	Interface	Upper liquid: Er ≥ 1,4 and ≤ 5 Lower liquid: Er ≥ 15
Vacuum Service	Negative pressure but not hermetic seal	
Media coating	Max error of 10 % of coated length. % Error is related to dielectric of medium, thickness of coating and coated probe length above level.	

Description		7EK: Top/Bottom GWR probe Er ≥ 1,4 - max +260 °C	7EK: Top/Bottom GWR probe Er ≥ 10 - max +315 °C
Materials	Probe	316/316L (1.4401/1.4404)	
	Process seal	PEEK and TFE with Aegis PF 128	PEEK and Alumina with Aegis PF 128
	Bottom spacer	TFE	PEEK
Probe diameter	Inside tube: max 22,5 mm (0.88")		
Cage	2" - Sch 80 Top/Bottom cage		
Process Connection	Threaded: 1 1/2" NPT or 2" NPT Welded: 1 1/2" or 2" socket weld Flanged: Various ANSI, EN (DIN) or torque tube mating flanges		
Measuring range	min 356 mm (14") Std. – max 6,1 m (240")		
Process Temp. ^②	Max	+260 °C @ 115 bar (+500 °F @ 1670 psi)	+315 °C @ 109 bar (+600 °F @ 1585 psi)
	Min	-15 °C @ 117 bar (0 °F @ 1700 psi)	
Max. Process Pressure ^②	117 bar @ -15 °C (1700 psi @ +0 °F)		
Max. Viscosity	10.000 mPa.s (cP)		
Dielectric Range (level only)	1,4 to 100 - Non conductive and conductive media	10 to 100 - Conductive media	
Vacuum service	Negative pressure but not hermetic seal		

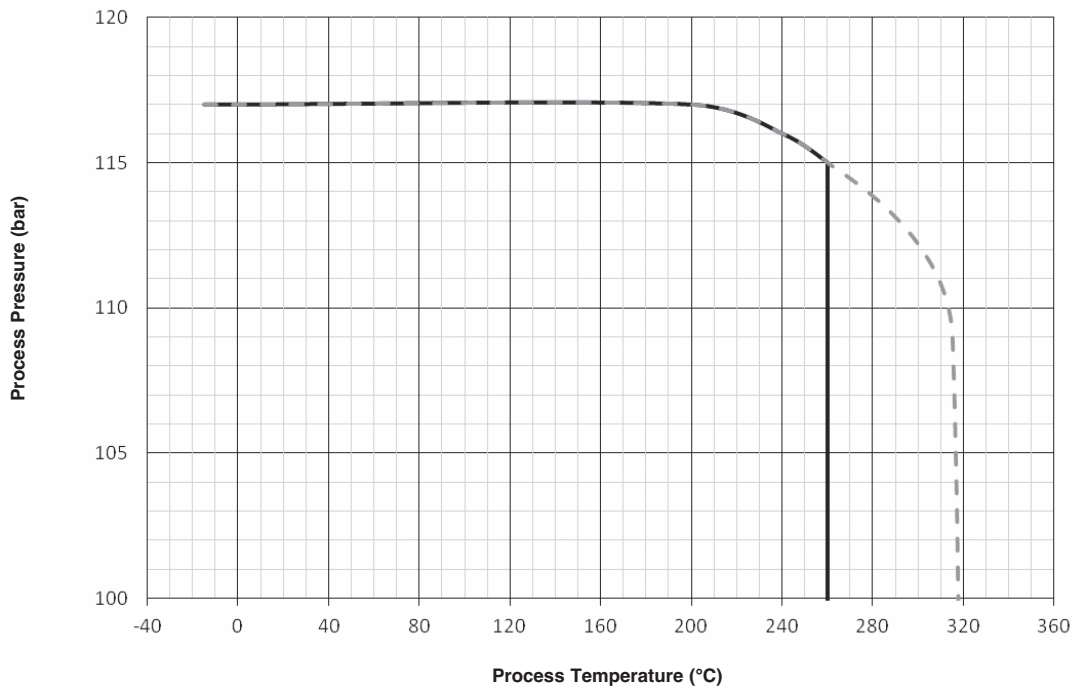
- ① Transition Zone (zone with reduced accuracy) is dielectric dependent;
Er = dielectric permittivity. It is recommended to set 4-20 mA signal outside transition zones.
- ② See graphs at page 21 and 22.

TEMPERATURE-PRESSURE RATING FOR ECLIPSE PROBE SEALS





— 7MS probes
 - - - 7MQ probes



— 7EK probes for max +260 °C
 - - - 7EK probes for max +315 °C and conductive liquids only



QUALITY ASSURANCE - ISO 9001:2008

THE QUALITY ASSURANCE SYSTEM IN PLACE AT MAGNETROL GUARANTEES THE HIGHEST LEVEL OF QUALITY DURING THE DESIGN, THE CONSTRUCTION AND THE SERVICE OF CONTROLS. OUR QUALITY ASSURANCE SYSTEM IS APPROVED AND CERTIFIED TO **ISO 9001:2008** AND OUR TOTAL COMPANY IS COMMITTED TO PROVIDING FULL CUSTOMER SATISFACTION BOTH IN QUALITY PRODUCTS AND QUALITY SERVICE.

PRODUCT WARRANTY

ALL MAGNETROL ELECTRONIC AND ULTRASONIC LEVEL CONTROLS ARE WARRANTED FREE OF DEFECTS IN MATERIALS AND WORKMANSHIP FOR ONE FULL YEAR FROM THE DATE OF ORIGINAL FACTORY SHIPMENT. IF RETURNED WITHIN THE WARRANTY PERIOD; AND, UPON FACTORY INSPECTION OF THE CONTROL, THE CAUSE OF THE CLAIM IS DETERMINED TO BE COVERED UNDER THE WARRANTY; THEN, MAGNETROL INTERNATIONAL WILL REPAIR OR REPLACE THE CONTROL AT NO COST TO THE PURCHASER (OR OWNER) OTHER THAN TRANSPORTATION. MAGNETROL SHALL NOT BE LIABLE FOR MISAPPLICATION, LABOR CLAIMS, DIRECT OR CONSEQUENTIAL DAMAGE OR EXPENSE ARISING FROM THE INSTALLATION OR USE OF THE EQUIPMENT. THERE ARE NO OTHER WARRANTIES EXPRESSED OR IMPLIED, EXCEPT, SPECIAL WRITTEN WARRANTIES COVERING SOME MAGNETROL PRODUCTS.



BULLETIN N°: BE 57-102.4
EFFECTIVE: SEPTEMBER 2015
SUPERSEDES: June 2013

UNDER RESERVE OF MODIFICATIONS

BENELUX FRANCE	Heikensstraat 6, 9240 Zele, België -Belgique Tel. +32 (0)52.45.11.11 • Fax. +32 (0)52.45.09.93 • E-Mail: info@magnetrol.be
DEUTSCHLAND	Alte Ziegelei 2-4, D-51491 Overath Tel. +49 (0)2204 / 9536-0 • Fax. +49 (0)2204 / 9536-53 • E-Mail: vertrieb@magnetrol.de
INDIA	B-506, Sagar Tech Plaza, Saki Naka Junction, Andheri (E), Mumbai - 400072 Tel. +91 22 2850 7903 • Fax. +91 22 2850 7904 • E-Mail: info@magnetrolindia.com
ITALIA	Via Arese 12, I-20159 Milano Tel. +39 02 607.22.98 • Fax. +39 02 668.66.52 • E-Mail: mit.gen@magnetrol.it
RUSSIA	198095 Saint-Petersburg, Marshala Govorova street, house 35A, office 427 Tel. +7 812 320 70 87 • E-Mail: info@magnetrol.ru
U.A.E.	DAFZA Office 5EA 722 • PO Box 293671 • Dubai Tel. +971-4-6091735 • Fax +971-4-6091736 • E-Mail: info@magnetrol.ae
UNITED KINGDOM	Unit 1 Regent Business Centre, Jubilee Road Burgess Hill West Sussex RH 15 9TL Tel. +44 (0)1444 871313 • Fax +44 (0)1444 871317 • E-Mail: sales@magnetrol.co.uk

www.magnetrol.com

OUR NEAREST REPRESENTATIVE