

General Specifications

Model DME
Nest for Control I/O cards



GS 77J05Y53-01E

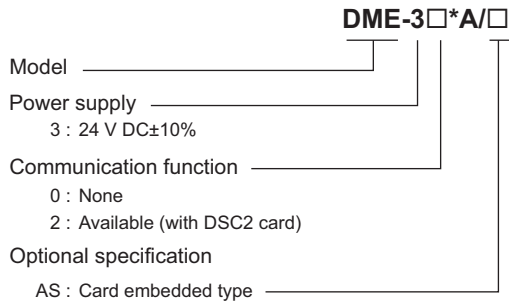
General

The DME is a connector-connection type 16-unit mounting nest. It is available for connection with DCS I/O modules for the CENTUM series of Yokogawa Electric Corporation.

This nest includes the connector for portable manipulator (Yokogawa SPBD) by each loop as standard, for emergency backup of a control unit or each converter.

- Ranges and parameters can be set using DSC2 or the JHT200, Yokogawa handy terminal. (The availability depends on the model of signal conditioners.)

Model and Suffix Codes



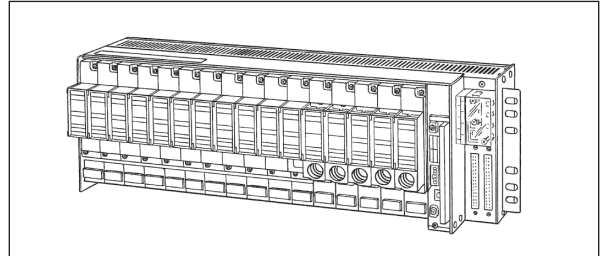
Ordering Information

Specify the following when ordering.

- Model and suffix codes: e.g. DME-32*A

Standard Performance

Insulation resistance: 100 MΩ or more at 500 V DC between all of the following: input, output, power supply, ground, and CN1-CN2.



Withstand voltage: 1500 V AC/min. between input and (output, power supply, ground and CN1-CN2).

500 V AC/min. between all of the following: output, power supply, ground, and CN1-CN2.

Operating temperature range: 0 to 50°C

Operating humidity range: 5 to 90% RH (no condensation)

Mounting and Dimensions

Connection cable: KS1 (Yokogawa-originated cable) (CN1, CN2)

I/O signal connection: M4 screw terminals

Power supply and ground connection: M4 screws terminals

I/O cable shield connection: M3 screw terminal

Mounting method: Rack or Wall mounting (horizontal mounting)

Nest mounting screw: M5 screws x 4

Color: Black

Weight: Approx. 3.8 kg

Standard Accessories

Plate: Installed on the empty slot when shipping

Mounting bracket: 1 pair

Tag number label: 16

DCS Connection Modules and Signal Conditioners

Modules connectable with CN1/CN2			Signal conditioners mountable for each slot	
			Slot	Models
Analog I/O	Input: 8 points	AAB841/M4A00 (*1) AAB842/M4A00 (*1) AMC80 (*2) MAC2 (*3)	odd-number	DA1, DA2, DA5, DH1, DH2, DH5, DM1, DT5, DR5, DRU, DS1, DP3, DF1, DB1, DG1, DD1, DSK (Note1), DX1, DA7 (Note3)
	Output: 8 points		even-number	DC0, DSK (Note1), DX1 (Note2), DC7 (Note3)
Pulse train input Analog output	Input: 8 points	AAP849 (*1) PAC2 (*3)	odd-number	DP1, DSK (Note1), DX1 (Note2)
	Output: 8 points		even-number	DC0, DSK (Note1), DX1 (Note2)

*1: FIO module of CENTUM VP/CS3000, *2: RIO module of CENTUM CS3000/CS1000, *3: I/O card of CENTUM XL/μXL/V

Note1: DSK is not connectable to DCS. DSK mounted to the slot cannot send or receive signals through CN1/CN2.

Note2: DX1-21N*A and DX1-31N*A (when 250Ω is selected) cannot be mounted to this nest.

Note3: Only the AAB842/M4A00 module can be connected to this nest.

■ Assignment of Input/Output Terminals

I/O screw terminal: M4 x 0.7, I/O signal piping: Rc1/4 female screw

Signal Conditioners		Field side I/O terminal			Front terminal of the signal conditioner				
		A	B	C	1	2	3	4	AIR
DM1		+	Not Connected	-	Not Connected	Not Connected	+	-	
DT5					Not Connected	Not Connected	+	-	
DR5					Not Connected	Not Connected	+	-	
DRU					Not Connected	Not Connected	+	-	
DS1					Not Connected	Not Connected	+	-	
DP1 DP3	2-wire type (Voltage contact)	+	Not Connected	-	Not Connected	Not Connected	Not Connected		
	Internal power supply 2-wire type	Signal	Power supply	Not Connected			For Output 2		
	Internal power supply 3-wire type	+	Power supply	-			Not Connected		
DH1, DH2, DH5		+	Not Connected	-	Not Connected	Not Connected	+	-	
DA1, DA2, DA5		Available for the combination with BARD 			Not Connected	Not Connected	For Output 2		
DA7 (Note.2)							Not Connected		
DX1		+	Not Connected	-	Not Connected	Not Connected	Not Connected		
DG1		Not Connected	Not Connected	Not Connected			+	-	
DB1		Not Connected	Not Connected	Not Connected			+	-	
DD1		Not Connected	Not Connected	Not Connected			+	-	
DF1		Not Connected	Not Connected	Not Connected	For Output 2		Not Connected		
DSK		+	Not Connected	-	NO/NC	COM	NO/NC	COM	
Signal Conditioners		Field side I/O terminal			Front terminal of the signal conditioner				
		A	B	C	1	2	3	4	AIR
DC0		+	Not Connected	-	Not Connected				
DX1 (Note.1)		+	Not Connected	-	Not Connected				

Note.1: 250Ω type cannot be used as the output card (even-numbered slot.)
 Note.2: The portable manipulator (SPBD) cannot be used.

System side connecting cable

Connector No.	Signal	Cable model
CN1	Connector 1 for MAC2/PAC	KS1
CN2	Connector 2 for MAC2/PAC	KS1

CN1/CN2

40	39
38	37
36	35
34	33
32	31
30	29
28	27
26	25
24	23
22	21
20	19
18	17
16	15
14	13
12	11
10	09
08	07
06	05
04	03
02	01

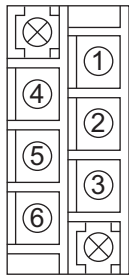
CN1/CN2 connector pin assignment

CN1/CN2 Pin No.	Slot No.	CN1/CN2 Pin No.	Slot No.
40		20	
39		19	4
38	1 +	18	+
37	1 -	17	6
36		16	+
35	3 +	15	8
34		14	+
33	5 +	13	10
32		12	+
31	7 +	11	12
30		10	+
29	9 +	09	14
28		08	+
27	11 +	07	16
26		06	+
25	13 +	05	+
24		04	+
23	15 +	03	+
22		02	+
21	2 +	01	+

Odd numbered slots: input cards
 Even numbered slots: output cards

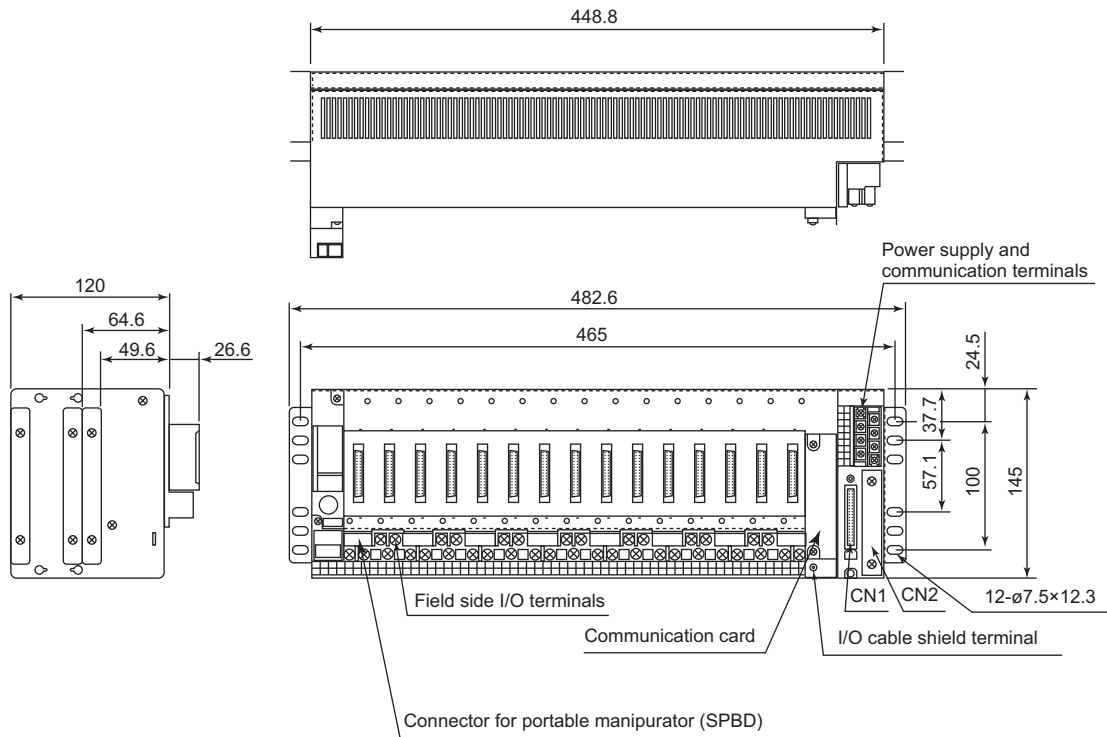
■ Assignment of Power Supply and Communication Terminals

Terminal number	DME-30*A		DME-32*A	
	1	+	24 V DC	+
2	-	-		
3	GND	GND		
4			A(-)	RS-485
5			B(+)	
6			SG	



■ External Dimensions

Unit: mm



Note A mounting method is limited to horizontal installation in 19 inch rack of the EIA/JIS-standard.