

Quick installation and start-up guide

FDNA-01 DeviceNet adapter module

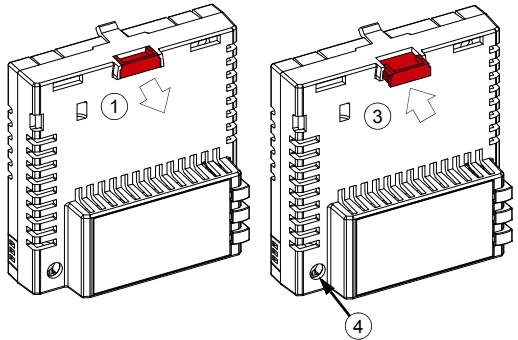
Safety instructions



WARNING! Obey the safety instructions. If you ignore them, injury or death, or damage to the equipment can occur. See the user's manual.

Mechanical installation

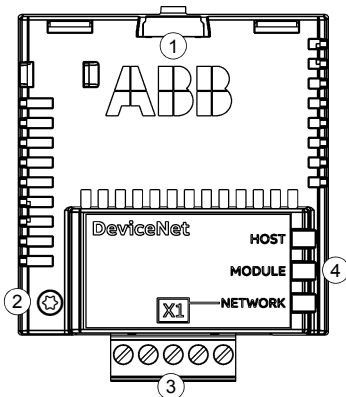
1. Pull out the lock.
2. Install the module carefully to an option module slot of the drive. See the drive hardware manual.
3. Push in the lock.
4. Tighten the screw to torque 0.8 N·m using a Torx TX10 screwdriver.



WARNING! Do not use excessive force, or leave the screw too loose. Over-tightening can damage the screw or module. A loose screw decreases the EMC performance, and can even cause an operation failure.

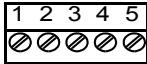
Electrical installation

Layout of the module



No.	Description
1	Lock
2	Mounting and grounding screw
3	Bus connector [X1]
4	Diagnostic LEDs

Pin allocation for [X1]

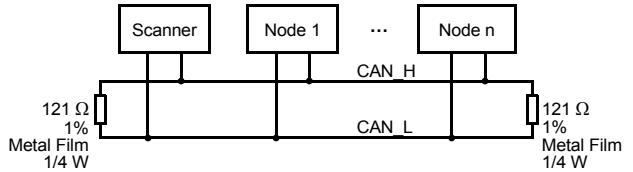


Pin	Description	
1	V-	Network power supply ground (0V DC)
2	CAN_L	CAN_L bus line
3	SHLD	Network cable shield
4	CAN_H	CAN_H bus line
5	V+	Network power supply source (24V DC)

Bus termination

The module does not provide bus termination. The DeviceNet network should be terminated at both ends of the trunk cable with a 121 ohm, 1/4 W, 1% metal film resistor.

Connect the resistor between the two signal wires (CAN_H, CAN_L) on the DeviceNet cable, as shown in this figure.



Start-up

When the module is connected to the drive, the drive control program sets the applicable parameters. See the appropriate drive manual.

Basic parameter settings

Index	Name	Value
20.01	Ext1 commands	Fieldbus A
22.11	Speed ref1 source	FBA A ref 1
28.11	Frequency ref1 source	FBA A ref 1
50.01	FBA A enable	Enable (or select the option slot in which the module is installed). This activates the communication module. The HOST LED becomes green.
50.02	FBA A comm loss func	Fault
51.02	MAC ID	Set the MAC ID number for the drive.

To take the settings into use, validate and refresh the parameters with parameter *51.27 FBA par refresh*.

Further information

See the latest version of *FDNA-01 DeviceNet adapter module user's manual* (3AFE68573360 [English]) in ABB library (www.abb.com/drives/documents).

For more information on fieldbus options and protocols provided by ABB Drives, see the fieldbus communications web page (new.abb.com/drives/connectivity/fieldbus-connectivity).



[FDNA-01 manual](#)



[Fieldbus communications web page](#)



3AXD50000158515A

3AXD50000158515 Rev A (EN) 2017-11-23