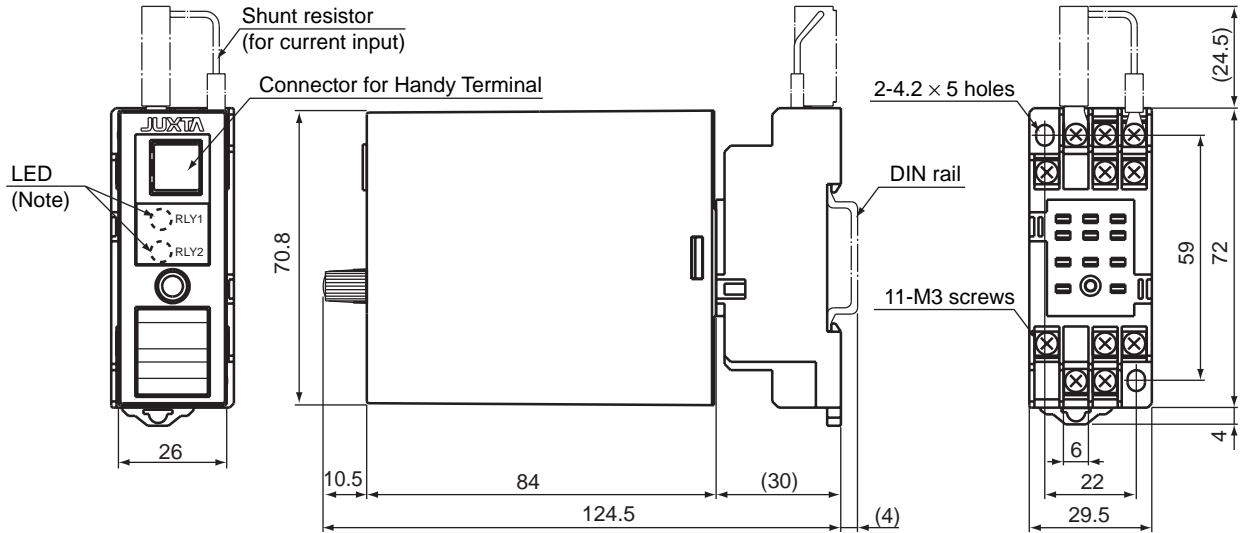


SD 77J01X07-01E

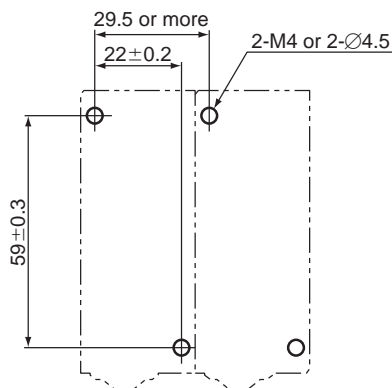
Unit: mm

External Dimensions

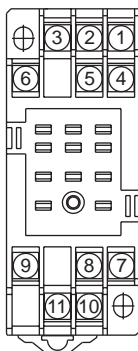


Note : Only when output-2 is contact output.

Mounting Dimensions



Terminal Arrangement



Terminal No.	Signal	Output-2 analog output	Output-2 communication output	Output-2 contact output
1	Input		(+)	
2	Output-2	(+)	B (+)	RLY1
3	Input		(-)	
4		Not connected		
5	Output-2	(-)	A (-)	COM
6	Output-2	Not connected	COM	RLY2
7	Output-1		(+)	
8	GND		GND	
9	Output-1		(-)	
10	Power supply		(L+)	
11	Power supply		(N-)	

Note : With the one-output type, terminals for Output-2 are not connected.