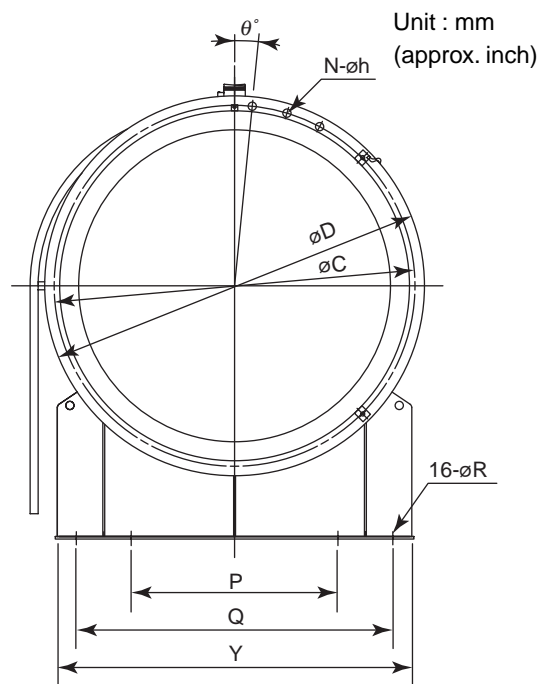
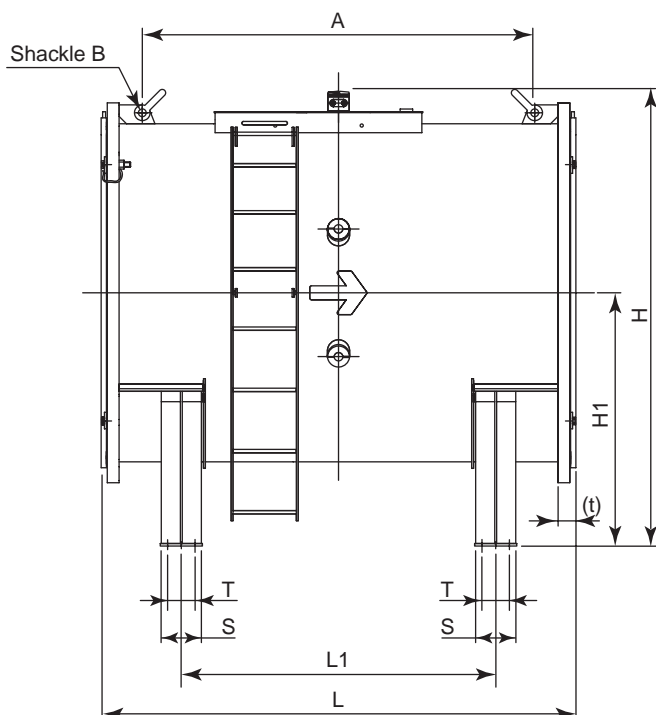


AXF15L AXF Remote Flowtube AXF Standard (JIS Flange) Polyurethane Rubber Lining



Unit : mm
(approx. inch)

F01_AXF15LE.EPS

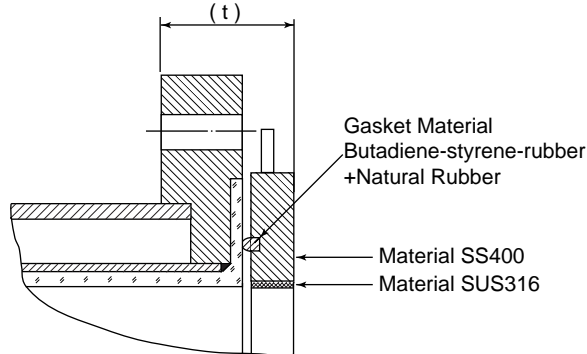
Model Code

AXF15L ^GW — N N U L 1 S — C G 1 1

Model	Process Connection	CG1(JIS F12)		
	Size code	15L		
	Size	1500 (60)		
	Lining code	U		
Remote Flowtube	Face-to-face length	L	2250 ⁰ ₁₀ (88.58)	
	Shackle	Interval	A	1860 (73.23)
		Size	B	SB30
	Support	Width	S	200 (7.87)
		Length	Y	1700 (66.93)
		Interval	L1	1490 (58.66)
	Mounting Bolt	Interval	P	980 ^{±2} (38.58)
			Q	1500 ^{±3} (59.06)
		Hole dia.	T	130 ^{±1} (5.12)
			øR	19 (0.75)
	Outside dia.	øD	1800 (70.87)	
	Thickness	t*1	85 (3.35)	
	Pitch circle dia.	øC	1710 (67.32)	
	Bolt hole interval	θ°	5.6	
	Hole dia.	øh	39 (1.54)	
Number of holes	N	32 (1.26)		
Height	H1	1200 ⁺¹⁶ (47.24)		
Max. Height	H	2155 (84.84)		
Weight kg (lb)*2		3150 (6944.6)		

Lining code: U; Polyurethane Rubber T01.EPS

Flange Detail



F01-1.EPS

- *1: The value before the gasket is tightened.
- *2: When submersible type or option code DHC is selected, waterproof glands and a 30m long cable are attached. Add 9.5kg(20.9lb) to the weight in the table.

Remote Flowtube Terminal configuration

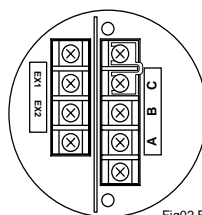


Fig02.EPS

Terminal wiring

Terminal Symbols	Description
A B C	Flow signal output
EX1 EX2	Excitation current input
⊕	Protective grounding (Outside of the terminal)

Fig02-2.EPS

Unless otherwise specified, difference in the dimensions are specified as : General tolerance = ± (Criteria of tolerance class IT18 in JIS B0401) / 2