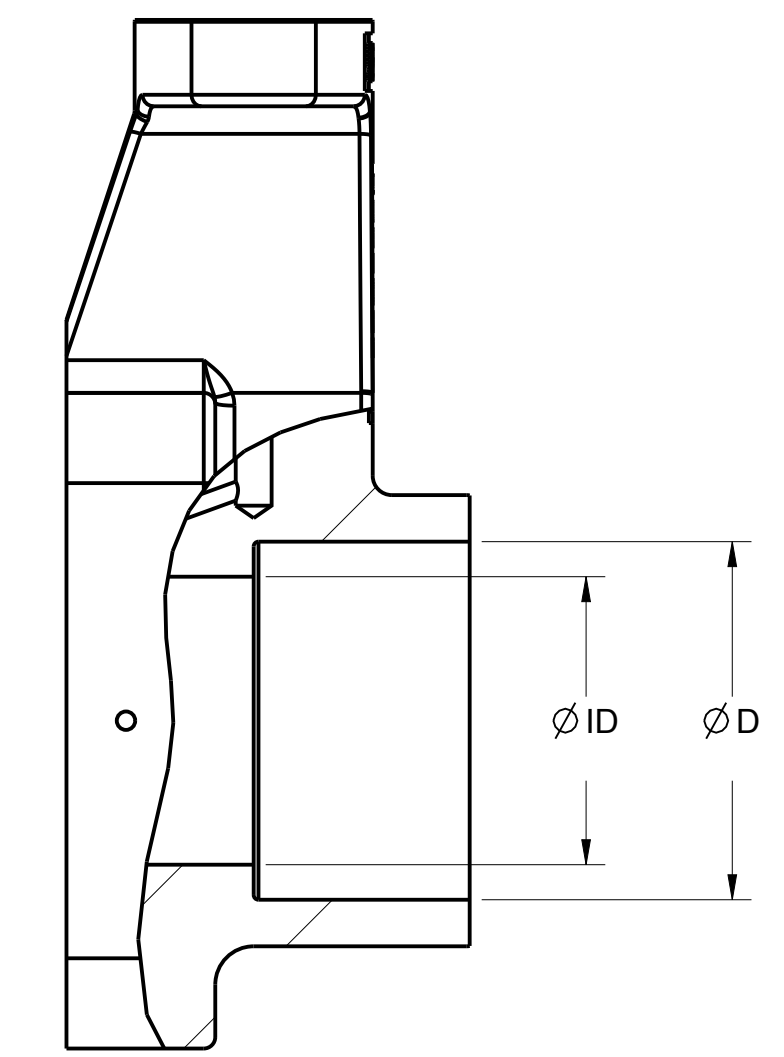
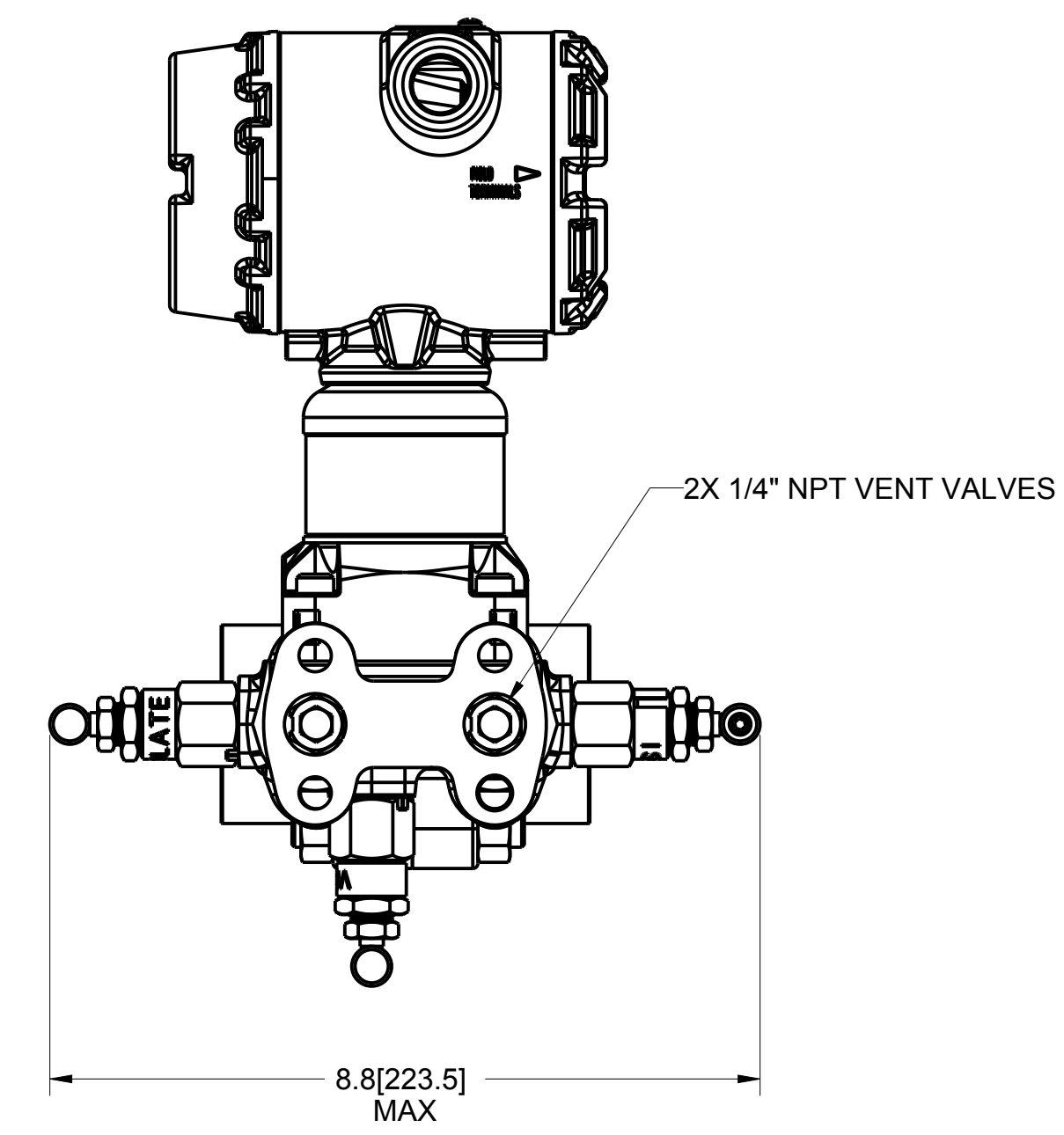
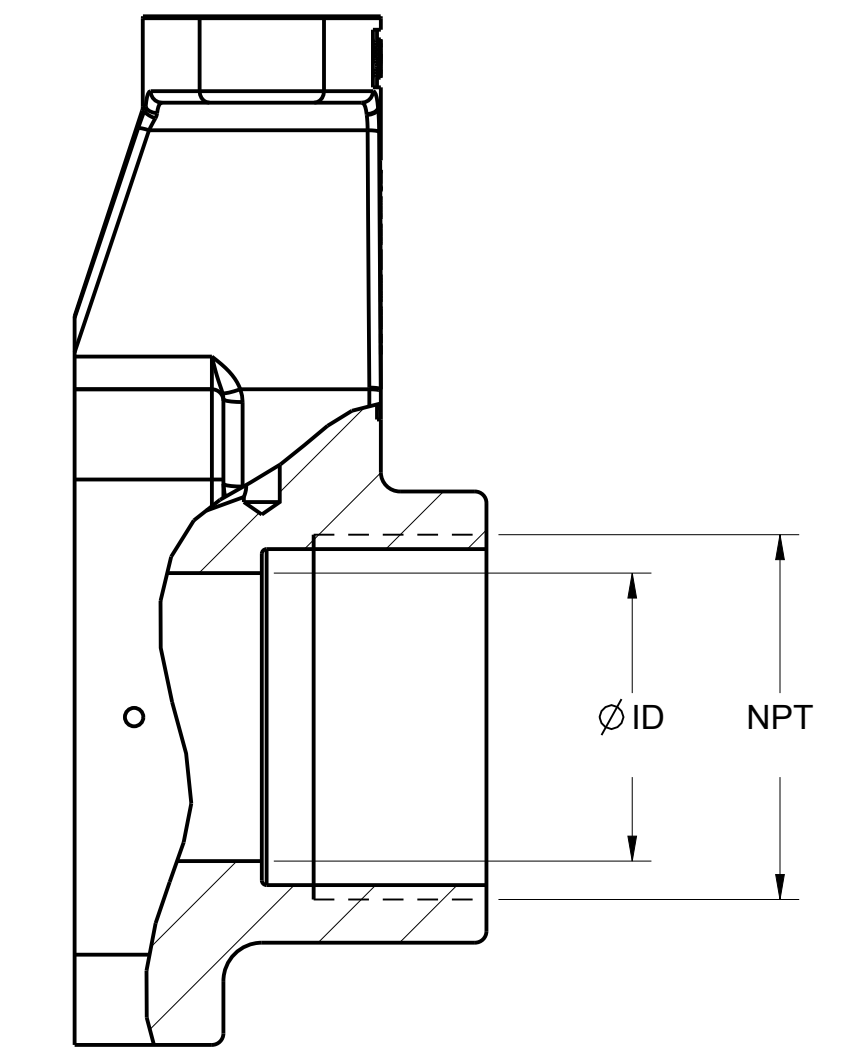


REVISION TABLE			
REVISION	ECO NO.	APP'D	DATE
AB	DSI1053953	3/30/17	03/31/17
DESCRIPTION			
ADD NOTE 10 AND CLARIFICATION ON SHEET 10.			

DIMENSIONS	LINE SIZE		
	1/2" [12.7]	1" [25.4]	1-1/2" [38.1]
A	3.4 [86.0]	3.8 [97.0]	4.5 [114.0]
B	4.7 [119.4]	5.2 [132.1]	5.9 [149.9]
C	3.0 [76]	3.3 [84]	3.7 [94]
∅ D	.805 [20.5]	1.280 [32.5]	1.865 [47.4]
∅ ID	.622 [15.8]	1.049 [26.6]	1.500 [38.1]
NPT	1/2" - 14	1" - 11.5	1-1/2" - 11.5
WIDTH	2.793 [70.9]	3.061 [77.8]	3.415 [86.7]



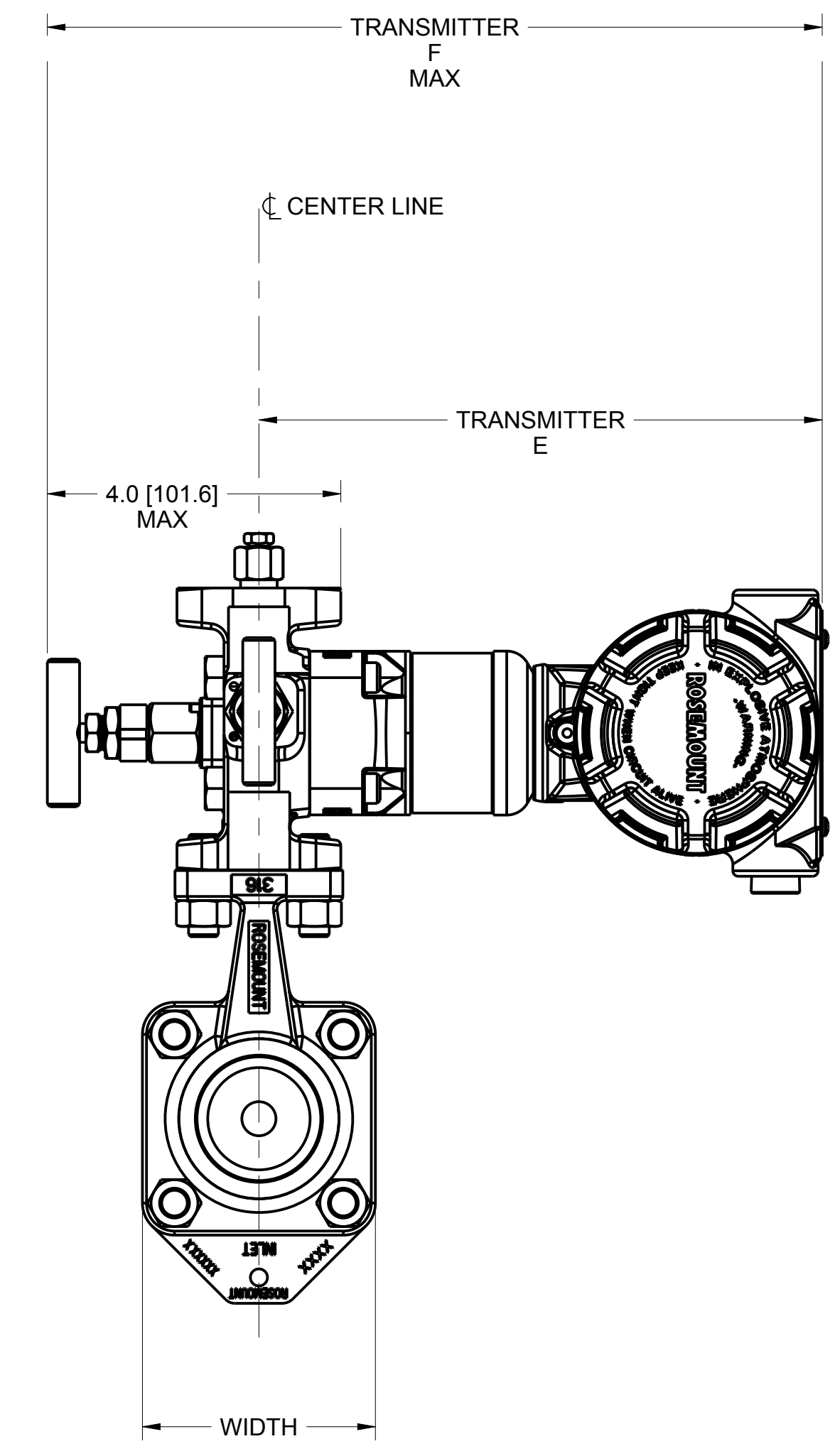
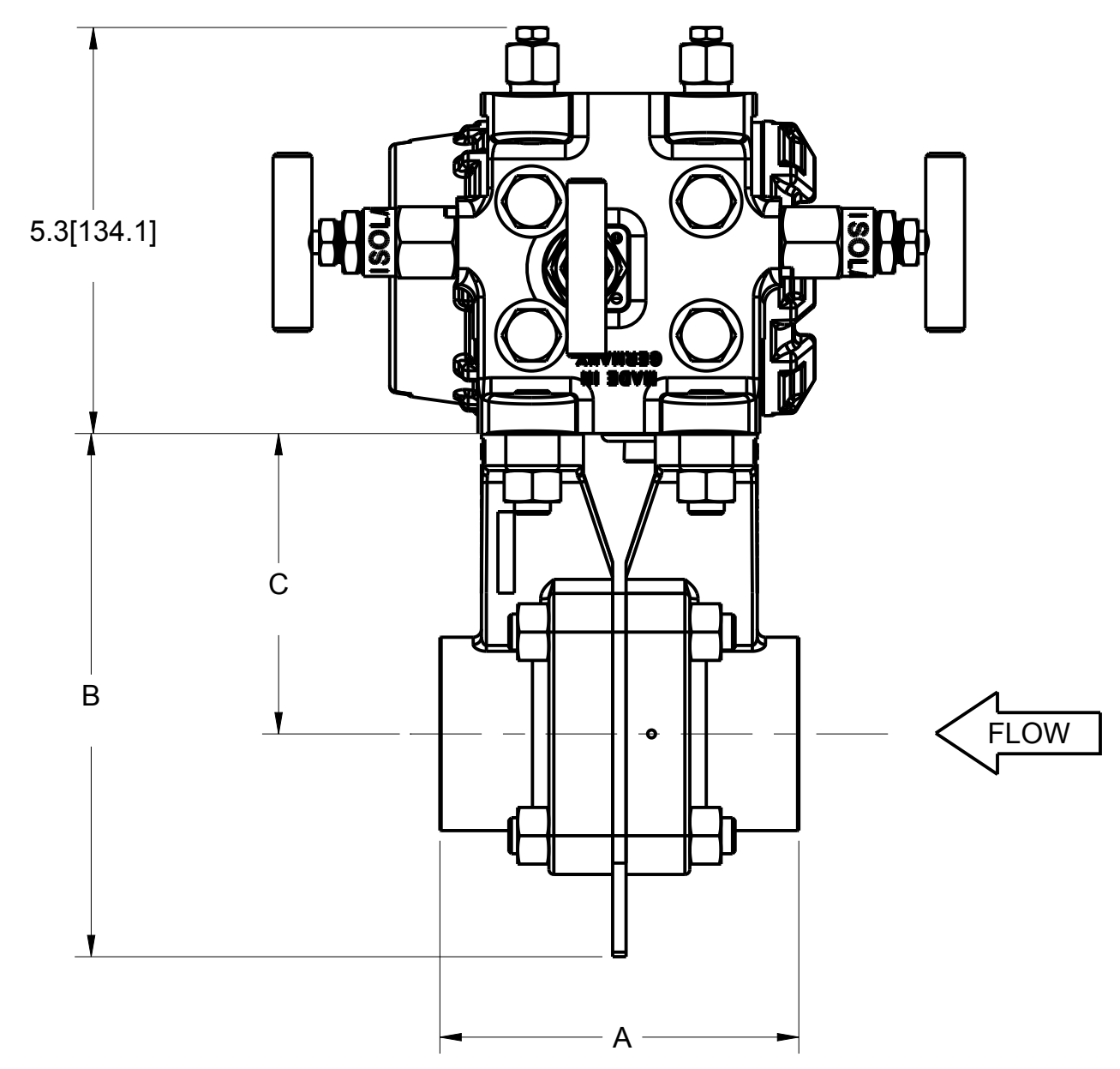
SOCKET WELD BODY
OPTION CODE S1



NPT FEMALE BODY
OPTION CODE T1

FLOWMETER	TRANSMITTER E	TRANSMITTER F
2051CFP	7.00 [177.8]	10.22 [259.6]
3051CFP	7.07 [179.6]	10.29 [261.4]
3051SFP	8.51 [216.2]	11.73 [297.9]

SOCKET WELD OR THREADED BODY TYPE
(3051SFP FLOWMETER SHOWN THROUGHOUT /
3051CFP, 2051CFP AVAILABLE)

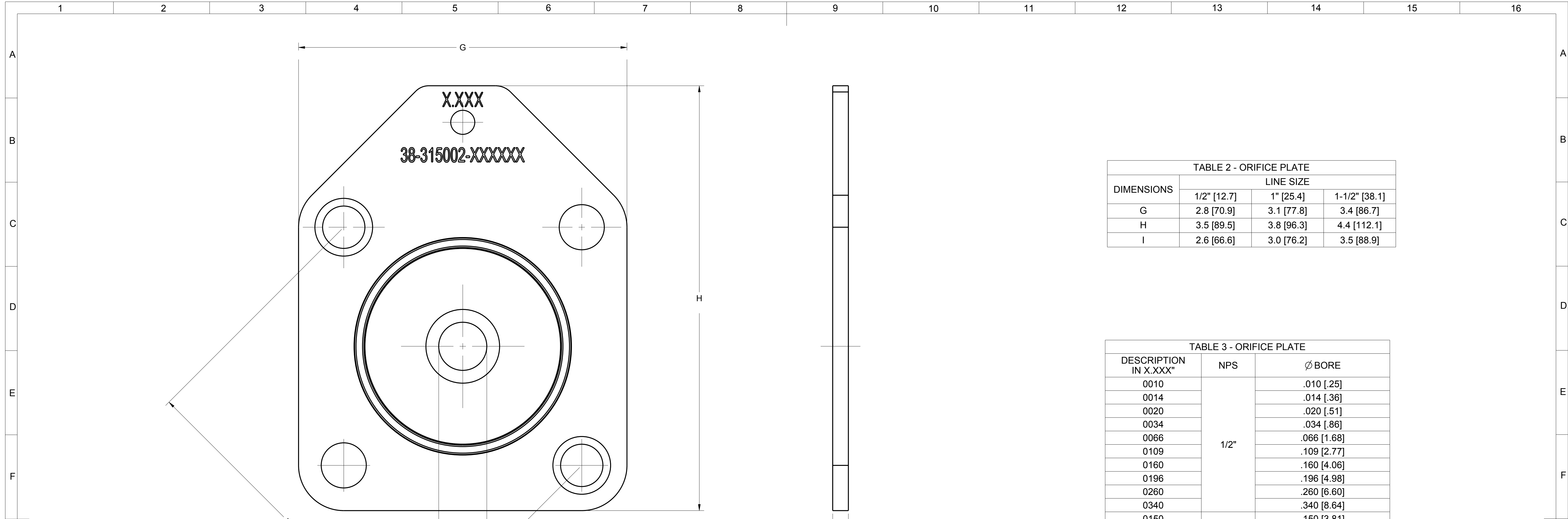


©2015 ROSEMOUNT INC.
ROSEMOUNT INC. CERTIFIES
THIS DRAWING IS IN
ACCORDANCE WITH
ROSEMOUNT ENGINEERING
SPECIFICATIONS.
UNIT NOTES IN INCHES (mm).
REFERENCE ROSEMOUNT
PRODUCT SPECIFICATIONS.
CLICK HERE

3RD ANGLE SIZE D SCALE NTS

EMERSON
ROSEMOUNT 1195 4-BOLT MODEL
TYPE I DRAWING

DR. M.ZHENG | 04/06/16 | DRAWING NO. 01195-1004
APPD C.HAN | 04/06/16
CAD MAINTAINED, (PROE) SHEET 1 OF 11



X.XXX
38-315002-XXXXXX

ORIFICE PLATE
DETAIL

TABLE 2 - ORIFICE PLATE			
DIMENSIONS	LINE SIZE		
	1/2" [12.7]	1" [25.4]	1-1/2" [38.1]
G	2.8 [70.9]	3.1 [77.8]	3.4 [86.7]
H	3.5 [89.5]	3.8 [96.3]	4.4 [112.1]
I	2.6 [66.6]	3.0 [76.2]	3.5 [88.9]

TABLE 3 - ORIFICE PLATE			
DESCRIPTION IN X.XXX"	NPS	Ø BORE	
0010	1/2"	.010 [.25]	
0014		.014 [.36]	
0020		.020 [.51]	
0034		.034 [.86]	
0066		.066 [1.68]	
0109		.109 [2.77]	
0160		.160 [4.06]	
0196		.196 [4.98]	
0260	1"	.260 [6.60]	
0340		.340 [8.64]	
0150		1-1/2"	.150 [3.81]
0250			.250 [6.35]
0345			.345 [8.76]
0500			.500 [12.70]
0630	.630 [16.00]		
0800	.800 [20.32]		
0295	.295 [7.49]		
0376	.376 [9.55]		
0512	.512 [13.00]		
0748	.748 [19.00]		
1022	1.022 [25.96]		
1184	1.184 [30.07]		

NOTES:

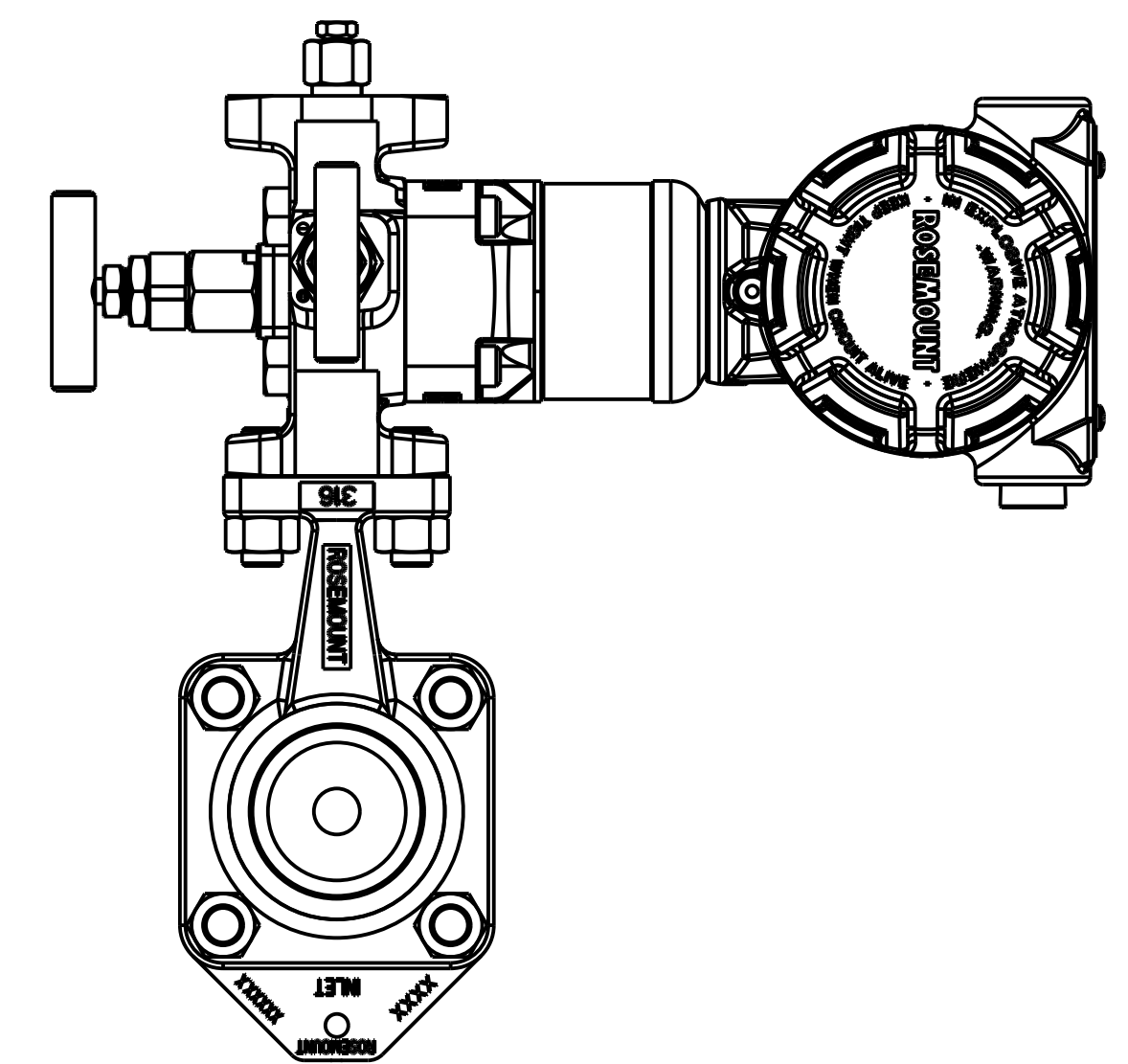
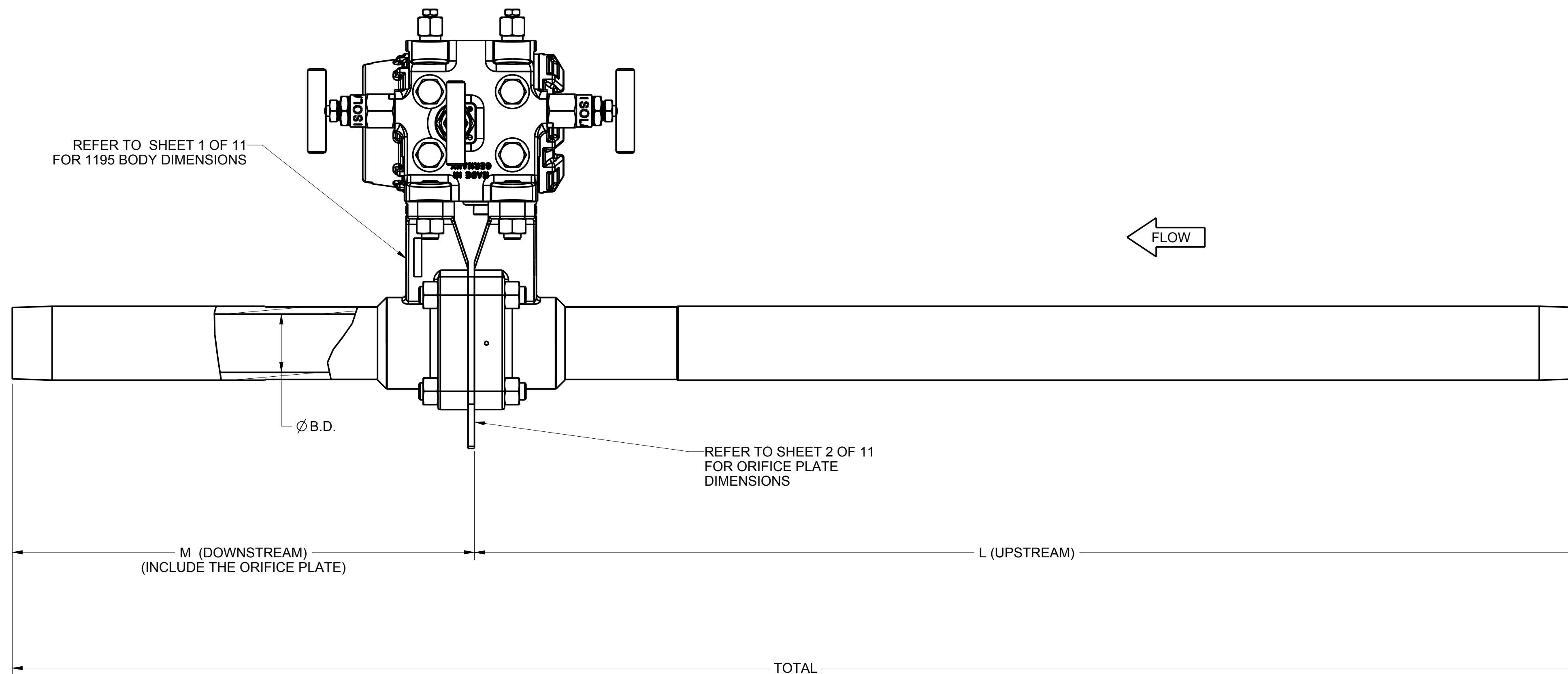
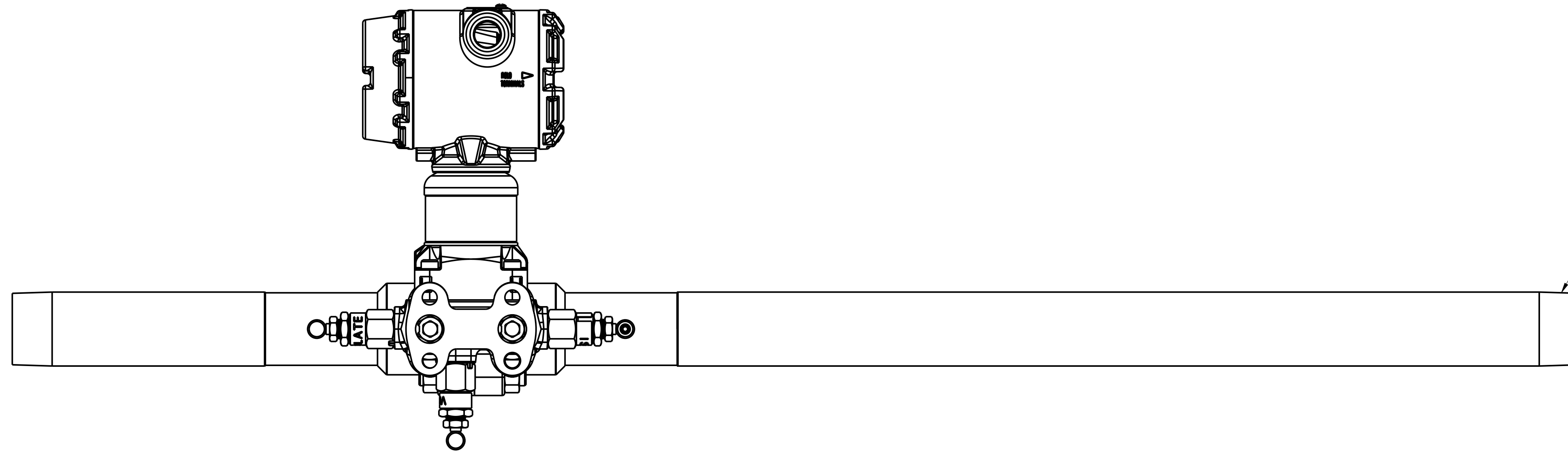
- ROSEMOUNT CERTIFIES THIS DRAWING IS IN ACCORDANCE WITH ROSEMOUNT ENGINEERING SPECIFICATIONS AND ACCURATELY REPRESENTS THE EQUIPMENT FURNISHED.
- SENSOR ORIENTATION SHOWN FOR DETAIL ONLY. FOR ACTUAL RECOMMENDED LOCATION & ORIENTATION REFER TO INSTALLATION INSTRUCTION MANUAL 00809-0100-4686.
- FOR MODEL SELECTIONS, REFER TO ROSEMOUNT PRODUCT DATA SHEET 00813-0100-4686.
- UNIT MAXIMUM TEMPERATURE IS 450° F (232° C) FOR DIRECT MOUNT ELECTRONICS, 554° F (290° C) FOR REMOTE MOUNT ELECTRONICS.
- MATERIAL FOR UNITS IS 316/316L STAINLESS STEEL, ALLOY C-276, OR ALLOY 400.
- ORIFICE TYPE IS SQUARE EDGE FOR ORIFICE BORE SIZE Ø .066 & LARGER. FOR ORIFICE Ø .010 TO Ø .034 (1/2" LINE SIZE ONLY) ORIFICE TYPE IS QUADRANT EDGE.
- UNITS CAN BE ORDERED TO MEET CL 900# ANSI / DIN PN160 RATING.
- 45° IS AN ACCEPTABLE ALTERNATIVE TO 37.5° FOR CODE MEETING ASME 31.1.

9. 1/2" NPT FLANGE ADAPTERS CAN BE ROTATED TO GIVE CONNECTION CENTERS OF 2.00 INCH (51mm), 2.13 INCH (54mm) OR 2.25 INCH (57mm).

10. WHEN 3051SFP, 3051CFP, OR 2051CFP ARE ORDERED WITH B31.1, B31.3, B31.8 (J2, J3, J4) OR C-276 MANIFOLD (D4, D6), A FLANGE BY FLANGE MANIFOLD IS PROVIDED. SEE SHEET 10 FOR DIMENSIONS.

©2015 ROSEMOUNT INC. ROSEMOUNT INC. CERTIFIES THIS DRAWING IS IN ACCORDANCE WITH ROSEMOUNT ENGINEERING SPECIFICATIONS. UNIT NOTES IN INCHES (mm). REFERENCE ROSEMOUNT PRODUCT SPECIFICATIONS. CLICK HERE	3RD ANGLE	SIZE D	SCALE NTS
	TITLE ROSEMOUNT TOP ASSEMBLY, 1195 4-BOLT TYPE I DRAWING		
	DR. M.ZHENG 04/06/16 DRAWING NO. 01195-1004 APPD C.HAN 04/06/16 CAD MAINTAINED, (PROE)	SHEET 2 OF 11	

TABLE 4 - NPT PIPE ENDS			
DIMENSIONS	LINE SIZE		
	1/2" [12.7]	1" [25.4]	1-1/2" [38.1]
Ø B.D.	.664 [16.9]	1.097 [27.9]	1.567 [39.8]
L	12.54 [318.4]	20.24 [514.0]	28.44 [722.4]
M	5.74 [145.7]	8.75 [222.2]	11.91 [302.6]
TOTAL ± .13 [±3.3]	18.27 [464.1]	28.98 [736.1]	40.35 [1024.9]



THREADED PIPE ENDS

©2015 ROSEMOUNT INC. ROSEMOUNT INC. CERTIFIES THIS DRAWING IS IN ACCORDANCE WITH ROSEMOUNT ENGINEERING SPECIFICATIONS. UNIT NOTES IN INCHES (mm). REFERENCE ROSEMOUNT PRODUCT SPECIFICATIONS. CLICK HERE

EMERSON

TITLE ROSEMOUNT TOP ASSEMBLY, 1195 4-BOLT TYPE I DRAWING

DR. M.ZHENG | 04/06/16 | DRAWING NO. 01195-1004

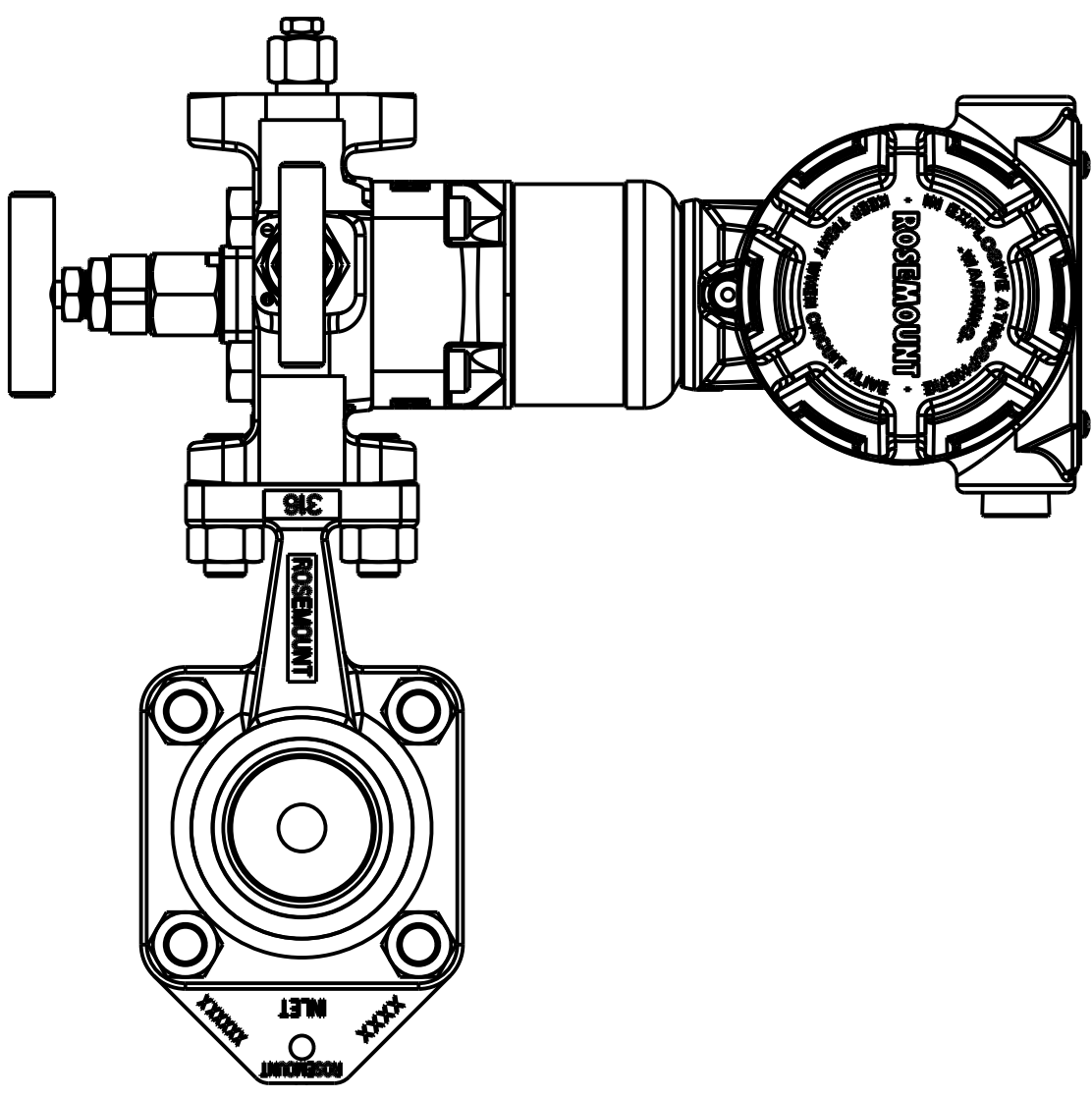
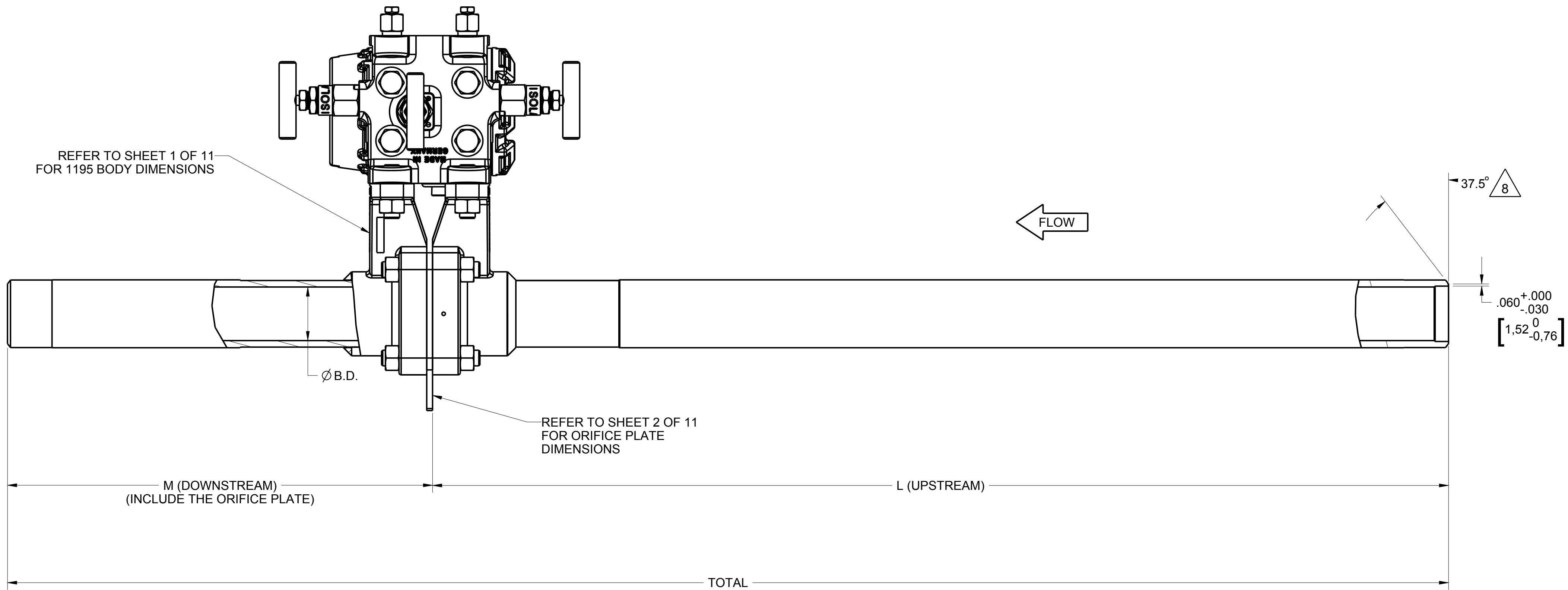
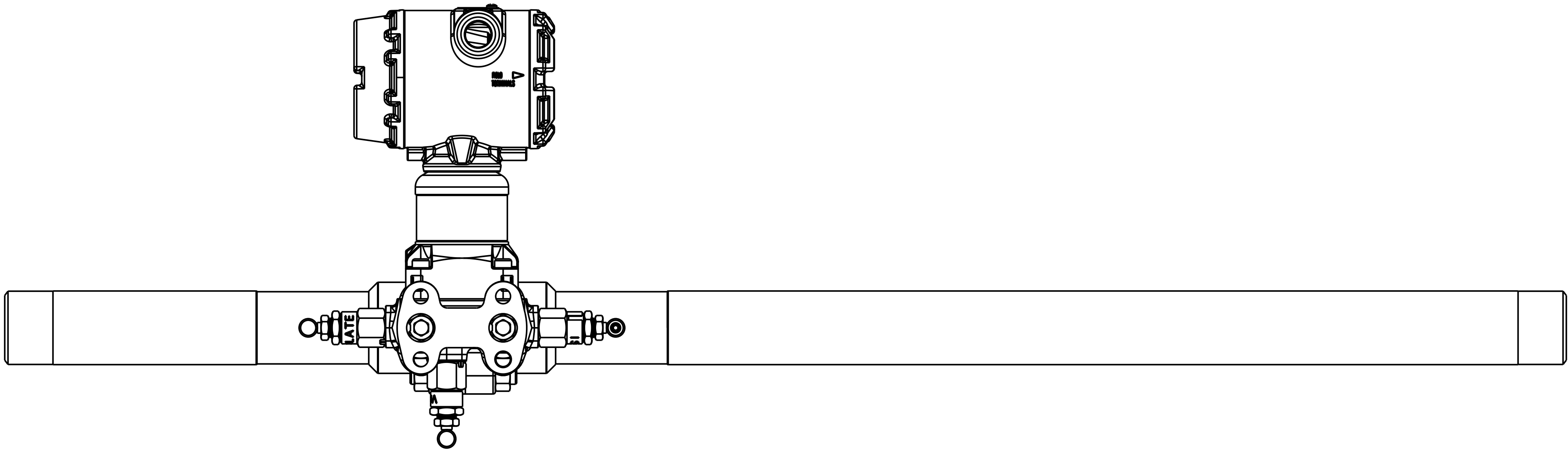
APPD C.HAN | 04/06/16

CAD MAINTAINED, (PROE) SHEET 3 OF 11

3RD ANGLE

SIZE D SCALE NTS

TABLE 5 - BEVELED PIPE ENDS			
DIMENSIONS	LINE SIZE		
	1/2" [12.7]	1" [25.4]	1-1/2" [38.1]
Ø B.D.	.664 [16.9]	1.097 [27.9]	1.567 [39.8]
L	12.54 [318.4]	20.24 [514.0]	28.44 [722.4]
M	5.74 [145.7]	8.75 [222.2]	11.91 [302.6]
TOTAL ± .13 [±3.3]	18.27 [464.1]	28.98 [736.1]	40.35 [1024.9]



BEVELED PIPE ENDS

©2015 ROSEMOUNT INC. ROSEMOUNT INC. CERTIFIES THIS DRAWING IS IN ACCORDANCE WITH ROSEMOUNT ENGINEERING SPECIFICATIONS. UNIT NOTES IN INCHES (mm). REFERENCE ROSEMOUNT PRODUCT SPECIFICATIONS. CLICK HERE

3RD ANGLE

EMERSON

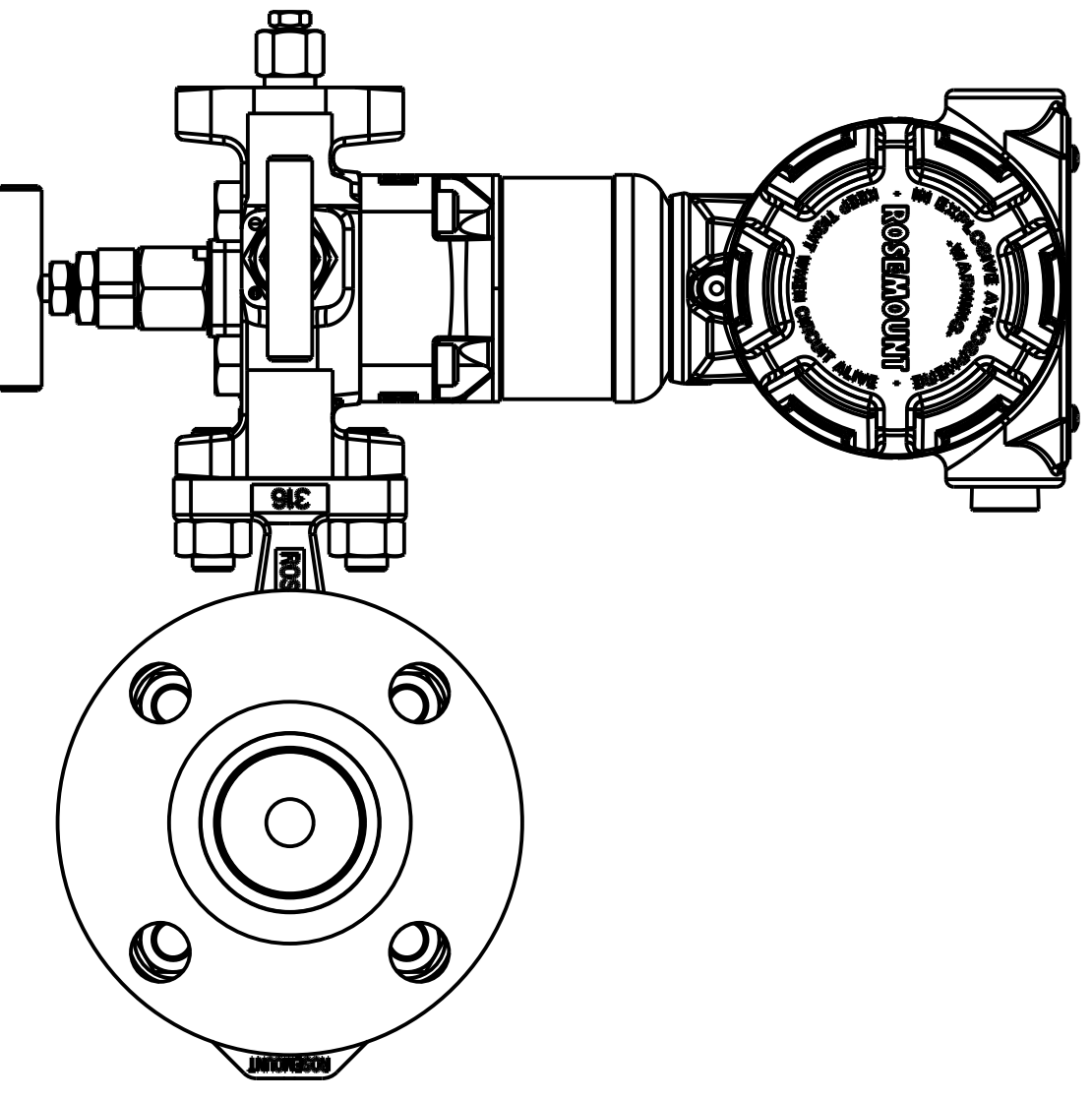
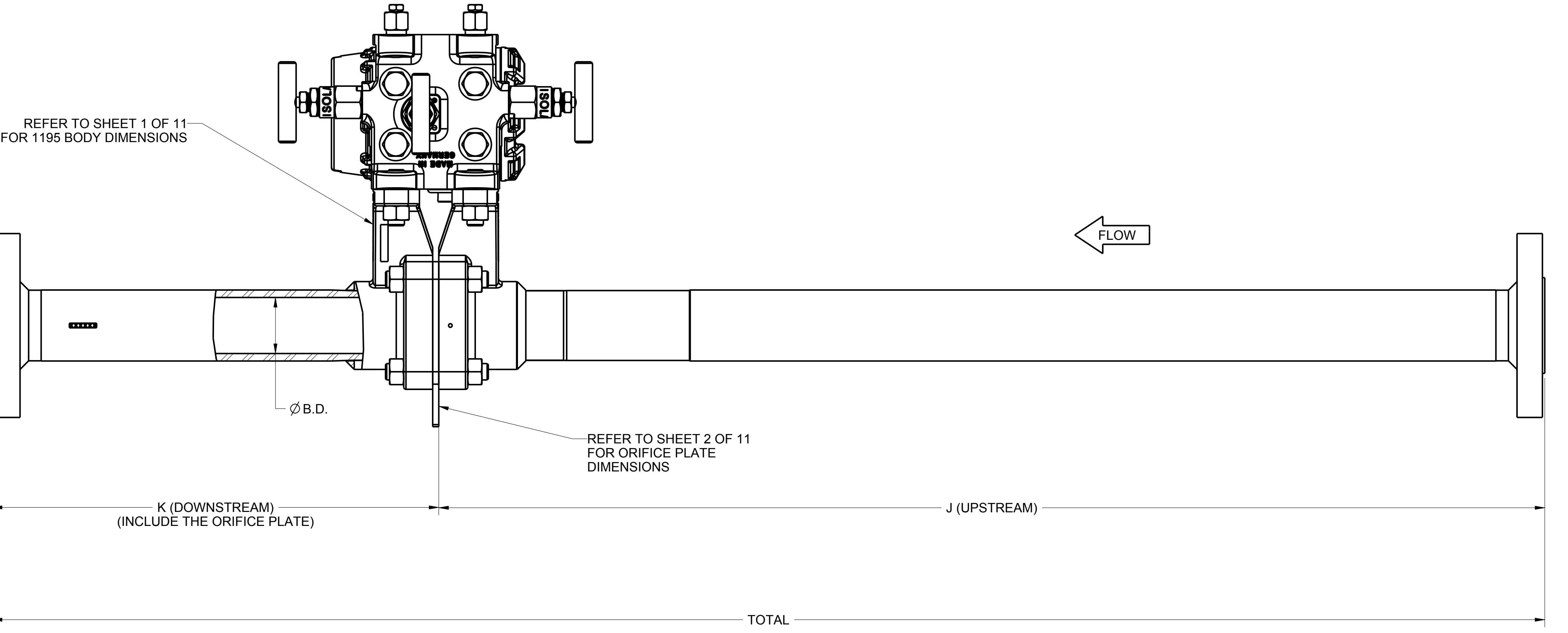
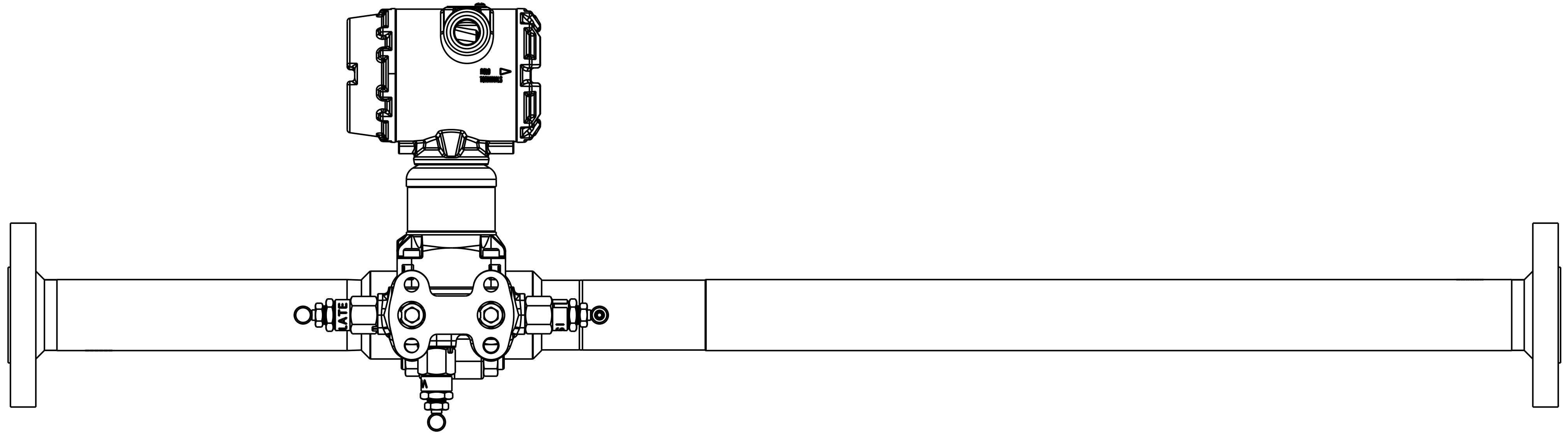
TITLE ROSEMOUNT TOP ASSEMBLY, 1195 4-BOLT TYPE I DRAWING

DR. M.ZHENG 04/06/16 DRAWING NO. 01195-1004

APPD C.HAN 04/06/16

CAD MAINTAINED, (PROE) SHEET 4 OF 11

TABLE 6 - SLIP-ON FLANGE PIPE ENDS			
DIMENSIONS	LINE SIZE		
	1/2" [12.7]	1" [25.4]	1-1/2" [38.1]
Ø B.D.	.664 [16.9]	1.097 [27.9]	1.567 [39.8]
J	12.62 [320.4]	20.32 [516.0]	28.52 [724.4]
K	5.82 [147.8]	8.83 [224.2]	11.99 [304.6]
TOTAL ± .25 [±6.4]	18.43 [468.2]	29.14 [740.2]	40.51 [1029.0]



SLIP-ON FLANGE PIPE ENDS

©2015 ROSEMOUNT INC. ROSEMOUNT INC. CERTIFIES THIS DRAWING IS IN ACCORDANCE WITH ROSEMOUNT ENGINEERING SPECIFICATIONS. UNIT NOTES IN INCHES (mm). REFERENCE ROSEMOUNT PRODUCT SPECIFICATIONS. CLICK HERE

EMERSON

TITLE ROSEMOUNT TOP ASSEMBLY, 1195 4-BOLT TYPE I DRAWING

DR. M.ZHENG	04/06/16	DRAWING NO.	01195-1004
APPD C.HAN	04/06/16		
CAD MAINTAINED, (PROE)			SHEET 5 OF 11

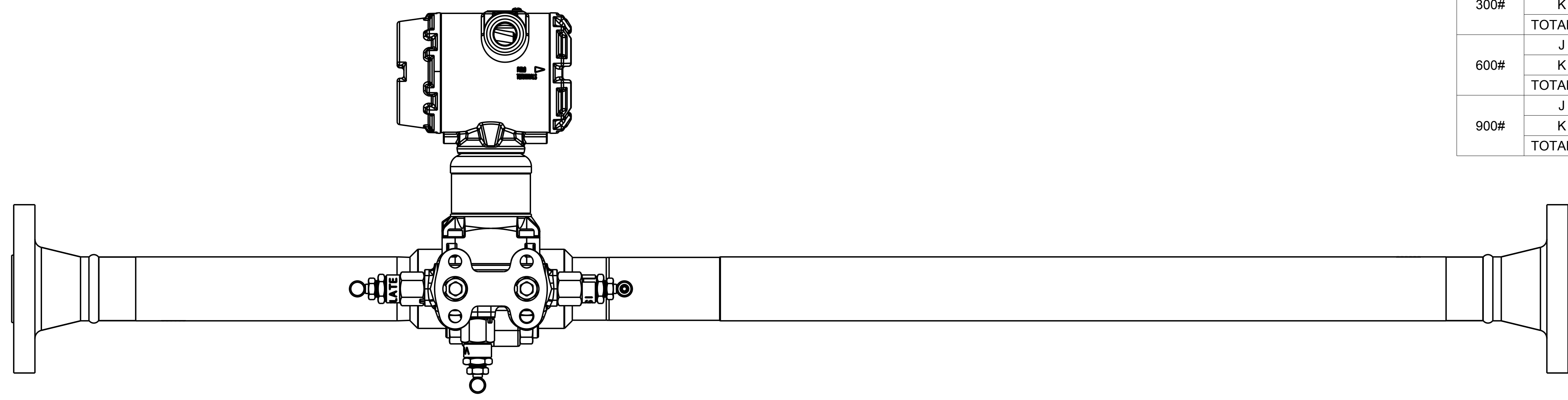
3RD ANGLE

SIZE D

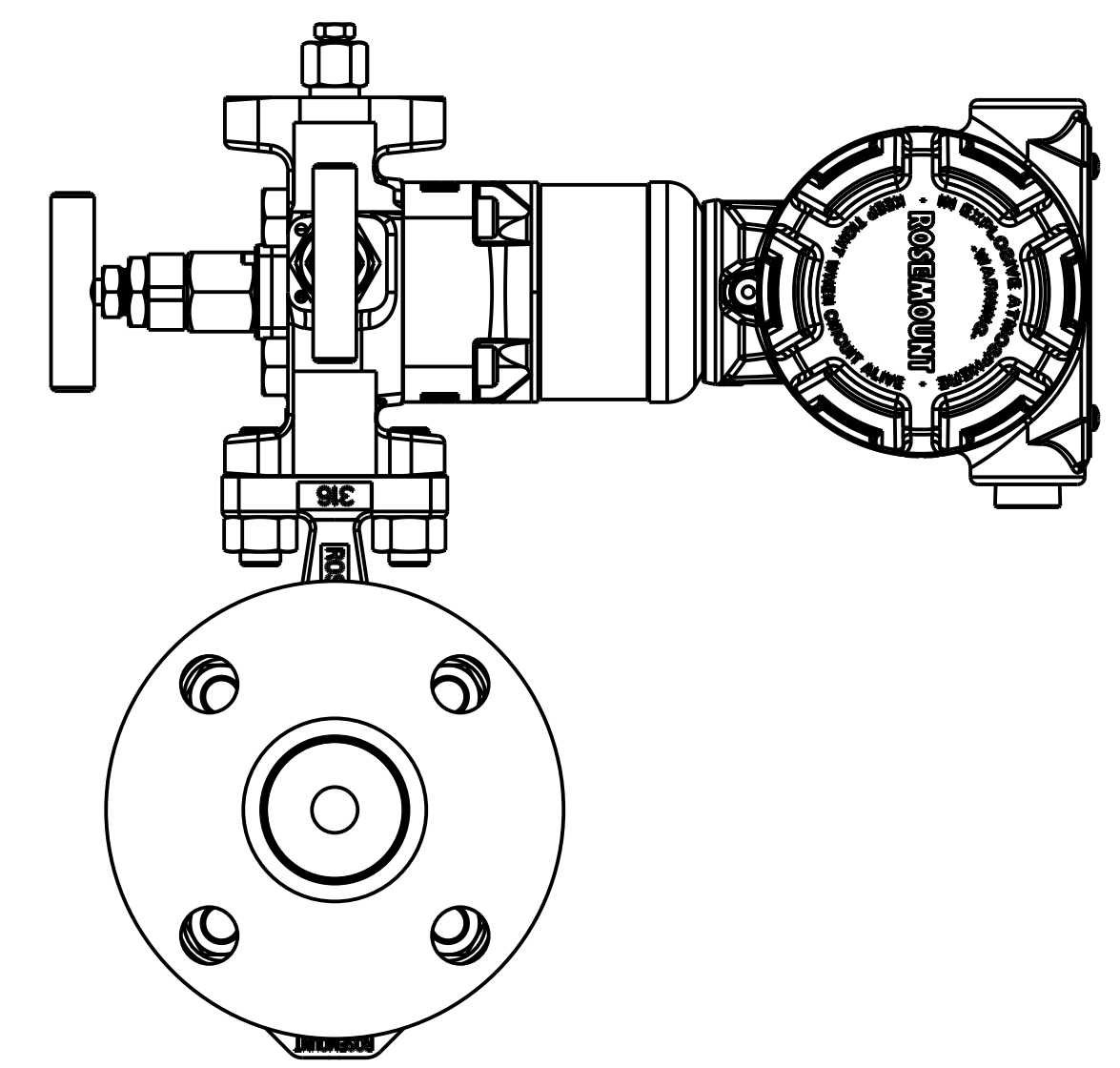
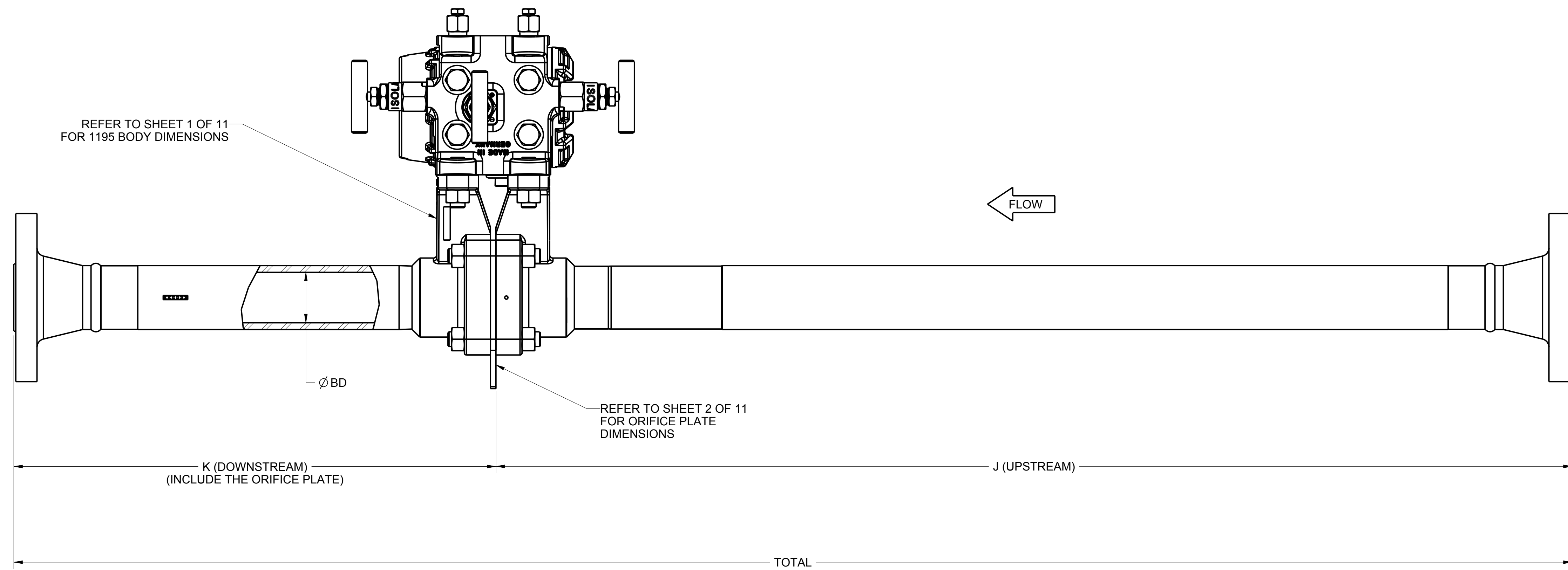
SCALE NTS

TABLE 7 - WELD NECK FLANGE PIPE ENDS

FLANGE RATING	DIMENSIONS	LINE SIZE		
		1/2" [12.7]	1" [25.4]	1-1/2" [38.1]
	Ø B.D.	.664 [16.9]	1.097 [27.9]	1.567 [39.8]
150#	J (RF150#)	14.37 [364.9]	22.37 [568.1]	30.82 [782.9]
	K (RF150#)	7.57 [192.3]	10.88 [276.3]	14.29 [363.1]
	TOTAL ± .25 [±6.4]	21.94 [557.2]	33.25 [844.5]	45.12 [1146.0]
300#	J (RF300#)	14.56 [369.8]	22.63 [574.7]	31.06 [788.9]
	K (RF300#)	7.76 [197.1]	11.14 [282.9]	14.53 [369.2]
	TOTAL ± .25 [±6.4]	22.32 [566.9]	33.77 [857.7]	45.60 [1158.2]
600#	J (RF600#)	14.81 [376.0]	22.88 [581.0]	31.38 [797.1]
	K (RF600#)	8.01 [203.4]	11.39 [289.2]	14.85 [377.2]
	TOTAL ± .25 [±6.4]	22.81 [579.4]	34.26 [870.3]	46.23 [1174.3]
900#	J (RF900#)	15.13 [384.3]	23.32 [592.3]	31.88 [809.8]
	K (RF900#)	8.33 [211.6]	11.83 [300.5]	15.35 [389.9]
	TOTAL ± .25 [±6.4]	23.46 [595.9]	35.15 [892.8]	47.23 [1199.6]



WELD NECK FLANGE
ANSI 150#, 300#, 600# & 900#



WELD NECK FLANGE PIPE ENDS

©2015 ROSEMOUNT INC. ROSEMOUNT INC. CERTIFIES THIS DRAWING IS IN ACCORDANCE WITH ROSEMOUNT ENGINEERING SPECIFICATIONS. UNIT NOTES IN INCHES (mm). REFERENCE ROSEMOUNT PRODUCT SPECIFICATIONS. CLICK HERE

EMERSON

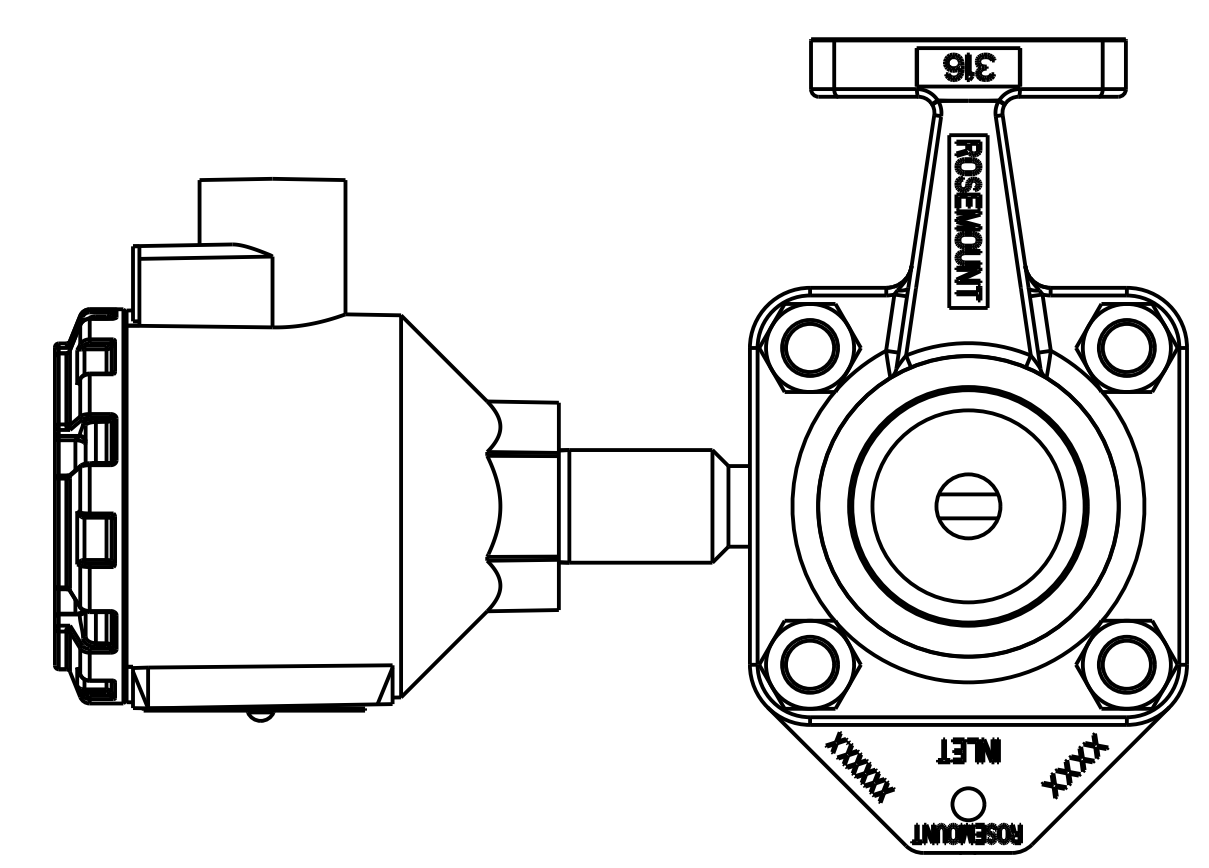
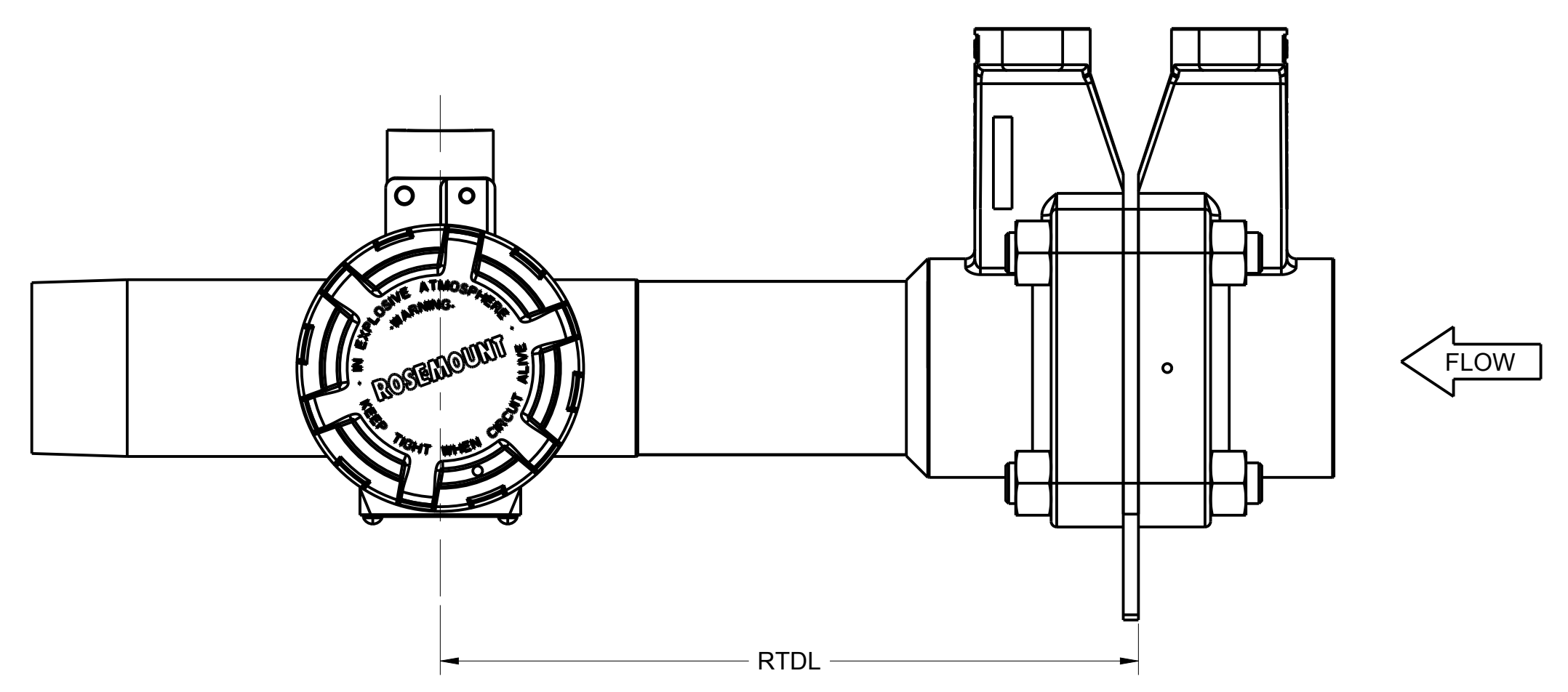
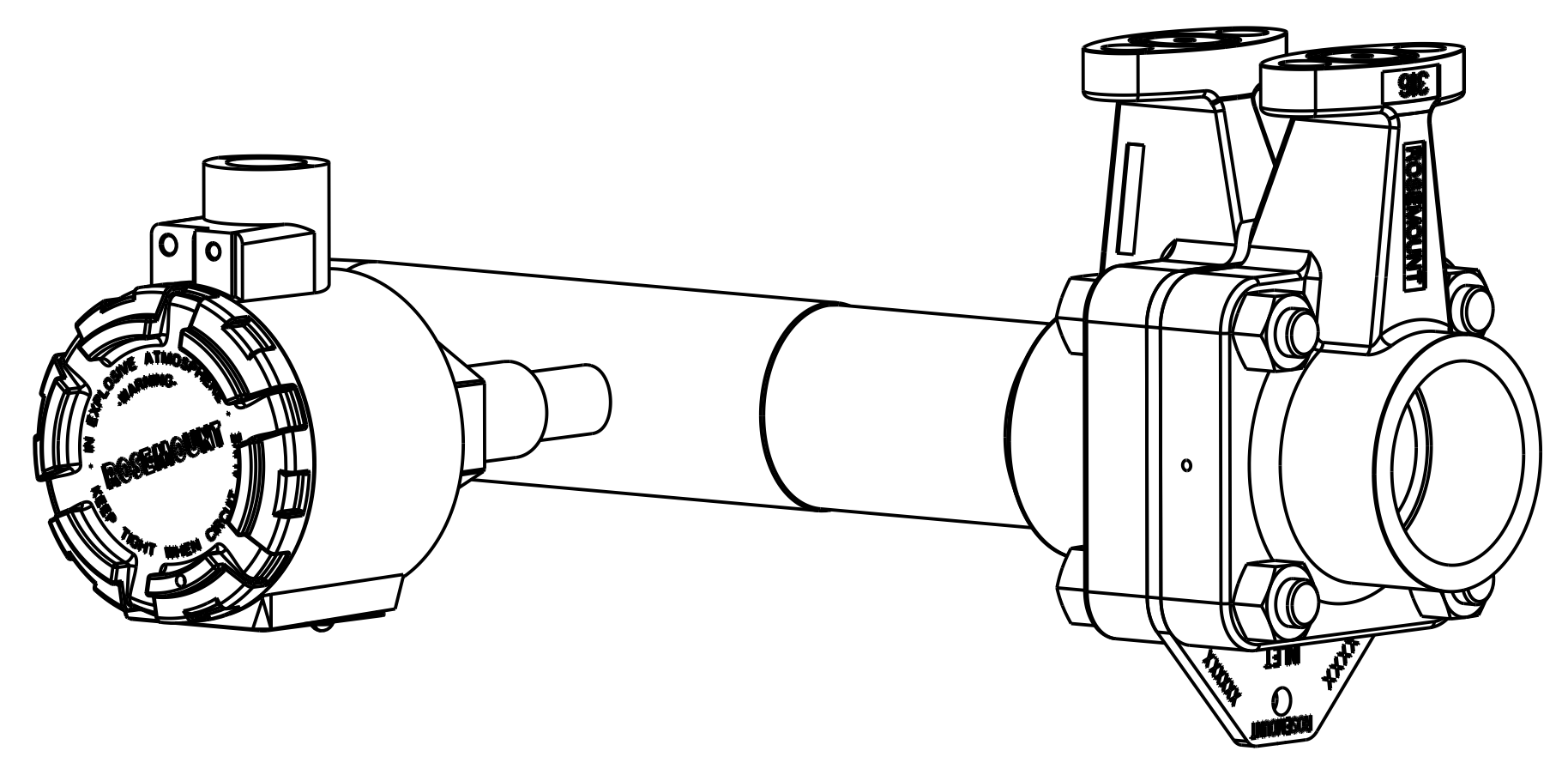
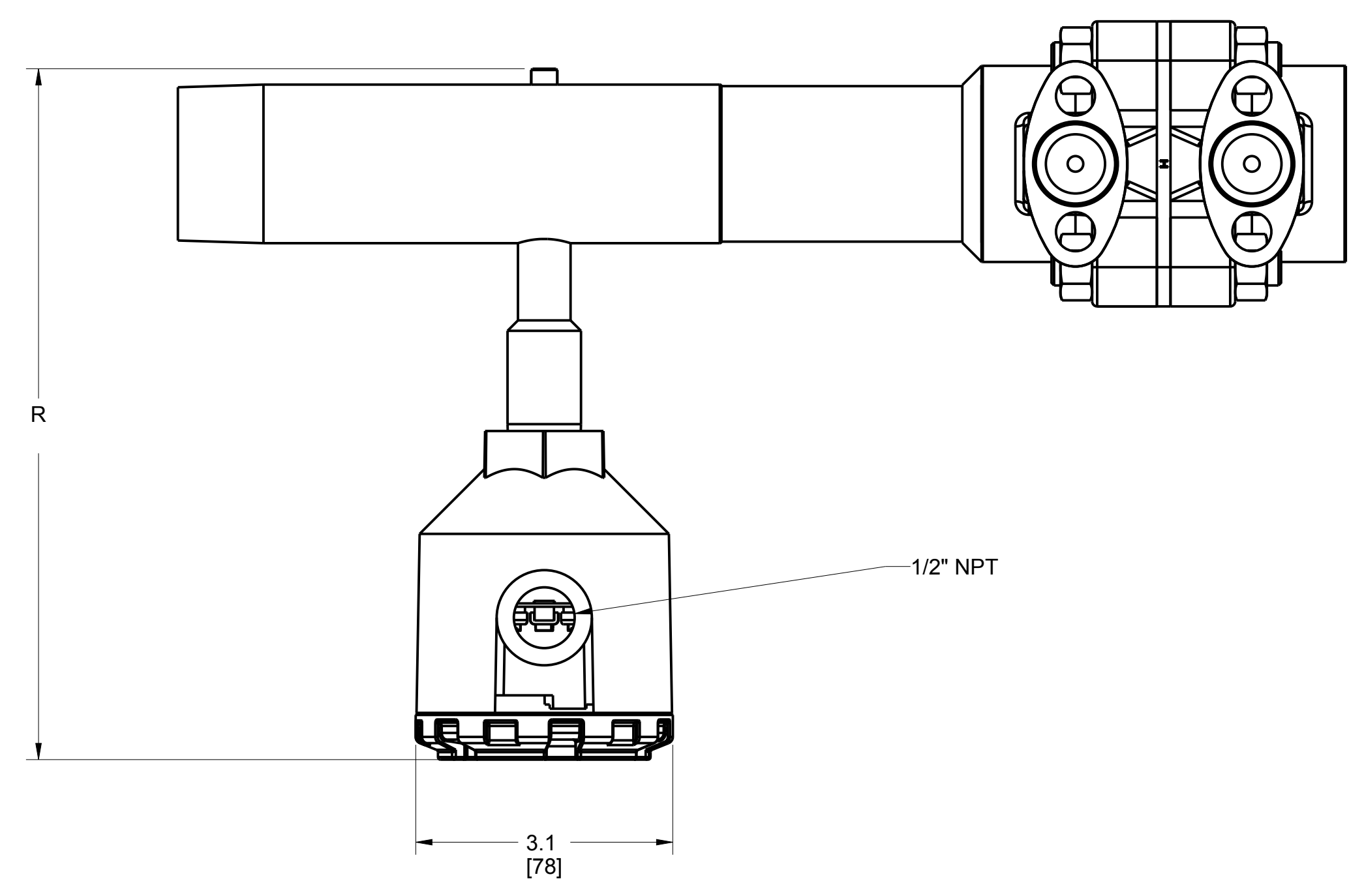
TITLE ROSEMOUNT TOP ASSEMBLY, 1195 4-BOLT
TYPE I DRAWING

DR. M.ZHENG 04/06/16 DRAWING NO. 01195-1004
APPD C.HAN 04/06/16
CAD MAINTAINED, (PROE) SHEET 6 OF 11

3RD ANGLE

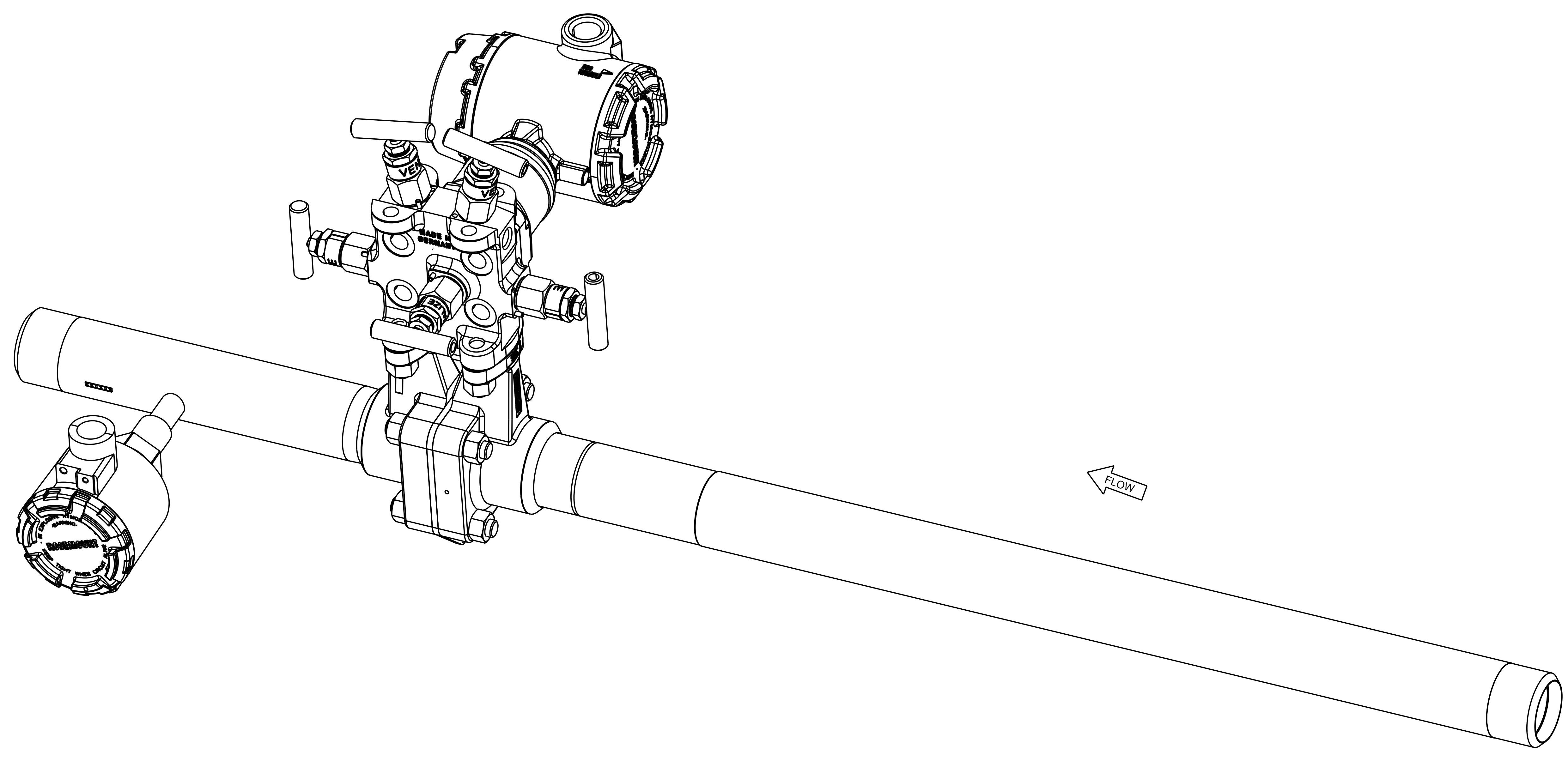
SIZE D SCALE NTS

TABLE 8 - OPTIONAL RTD TEMPERATURE CONNECTION			
DIMENSIONS	LINE SIZE		
	1/2" [12.7]	1" [25.4]	1-1/2" [38.1]
R	7.4 [188]	7.8 [198]	8.4 [213]
RTDL	3.1 [78.9]	5.25 [133.4]	7.50 [190.5]



OPTIONAL TEMPERATURE SENSOR

©2015 ROSEMOUNT INC. ROSEMOUNT INC. CERTIFIES THIS PRODUCT TO THE REQUIREMENTS OF THE ACCORDANCE WITH ROSEMOUNT ENGINEERING SPECIFICATIONS. UNIT NOTES IN INCHES (mm). REFERENCE ROSEMOUNT PRODUCT SPECIFICATIONS. CLICK HERE	3RD ANGLE	SIZE D	SCALE NTS
	TITLE ROSEMOUNT TOP ASSEMBLY, 1195 4-BOLT TYPE I DRAWING		
	DR. M.ZHENG 04/06/16 DRAWING NO. APPD C.HAN 04/06/16	01195-1004	
CAD MAINTAINED, (PROE)		SHEET 7 OF 11	

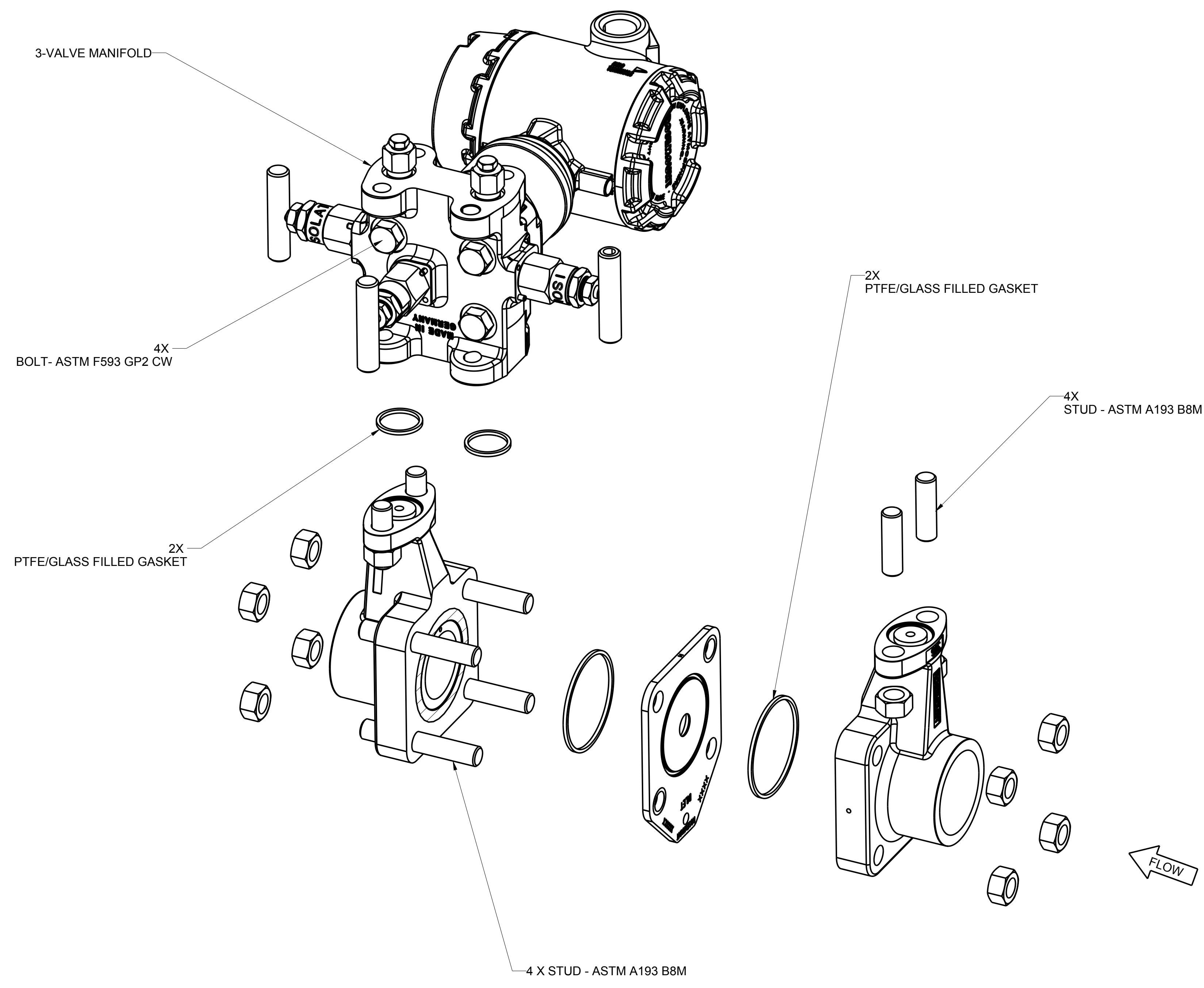


3051SFP (SHOWN)
 DIRECT MOUNT 3051SMV TRANSMITTER (W/TEMPERATURE)
 AND 5-VALVE MANIFOLD
 (TYP EXAMPLE / 3051CFP AND 2051CFP AVAILABLE)

©2015 ROSEMOUNT INC. ROSEMOUNT INC. CERTIFIES THIS DRAWING TO BE IN ACCORDANCE WITH ROSEMOUNT ENGINEERING SPECIFICATIONS. UNIT NOTES IN INCHES (mm). REFERENCE ROSEMOUNT PRODUCT SPECIFICATIONS. CLICK HERE	3RD ANGLE	SIZE D	SCALE NTS
	TITLE ROSEMOUNT TOP ASSEMBLY, 1195 4-BOLT TYPE I DRAWING		
	DR. M.ZHENG 04/06/16 DRAWING NO.	01195-1004	
APP'D C.HAN 04/06/16			
CAD MAINTAINED, (PROE)	SHEET 8 OF 11		

1 2 3 4 5 6 7 8 9 10 11 12 13 14 15 16

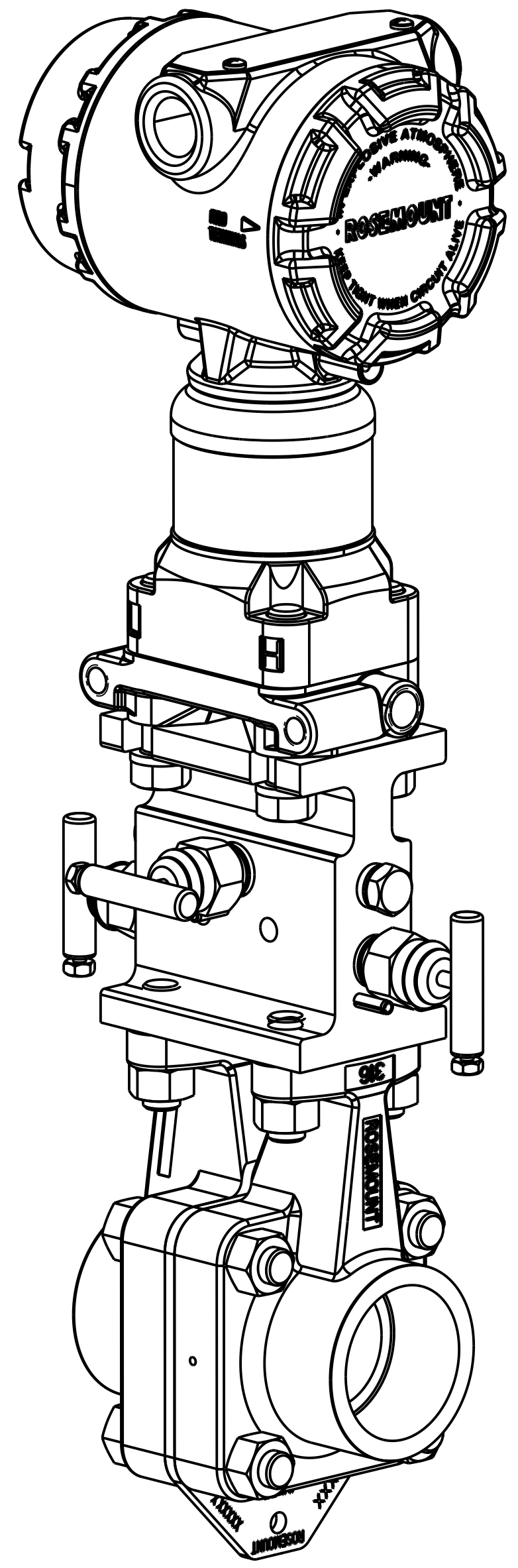
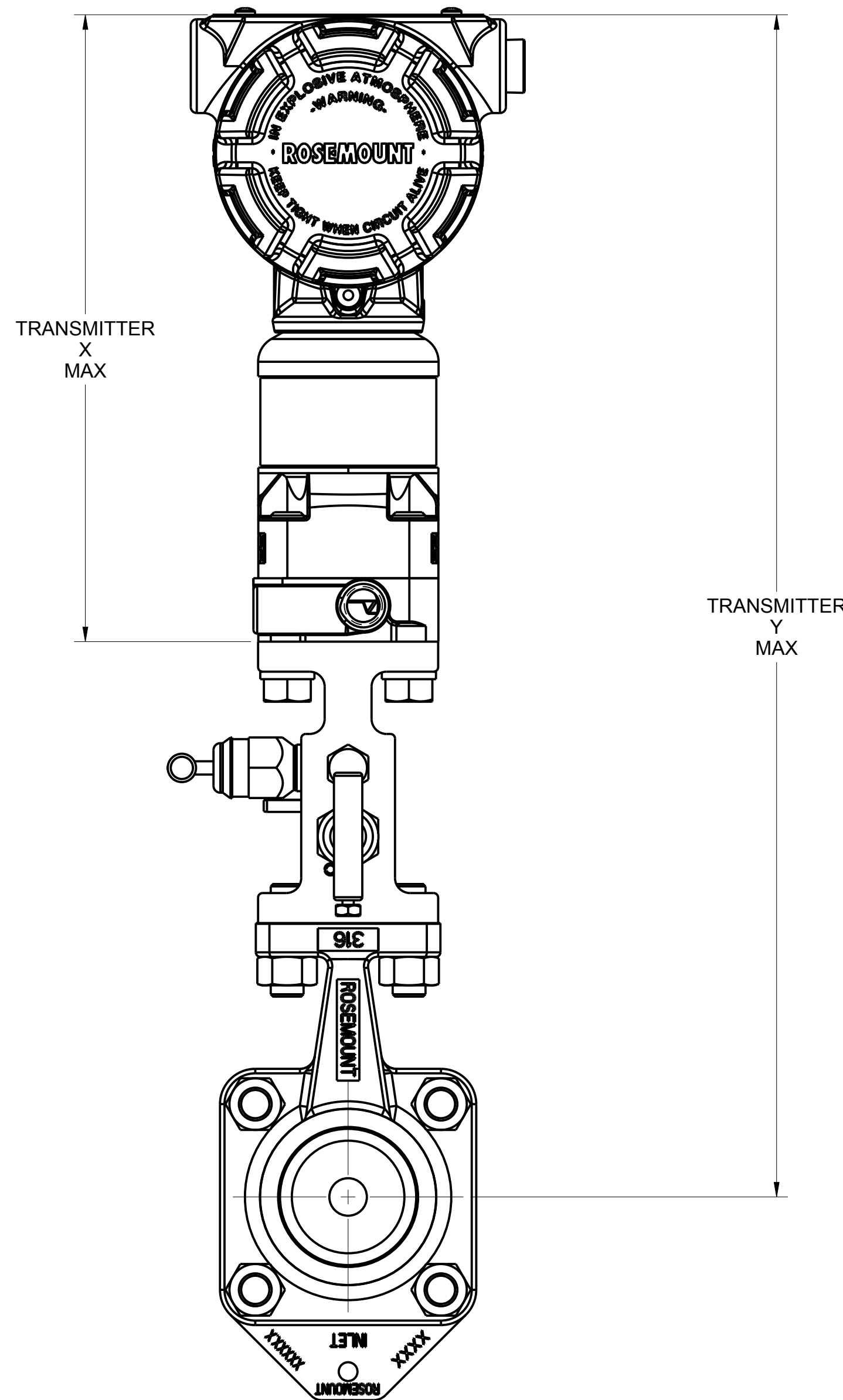
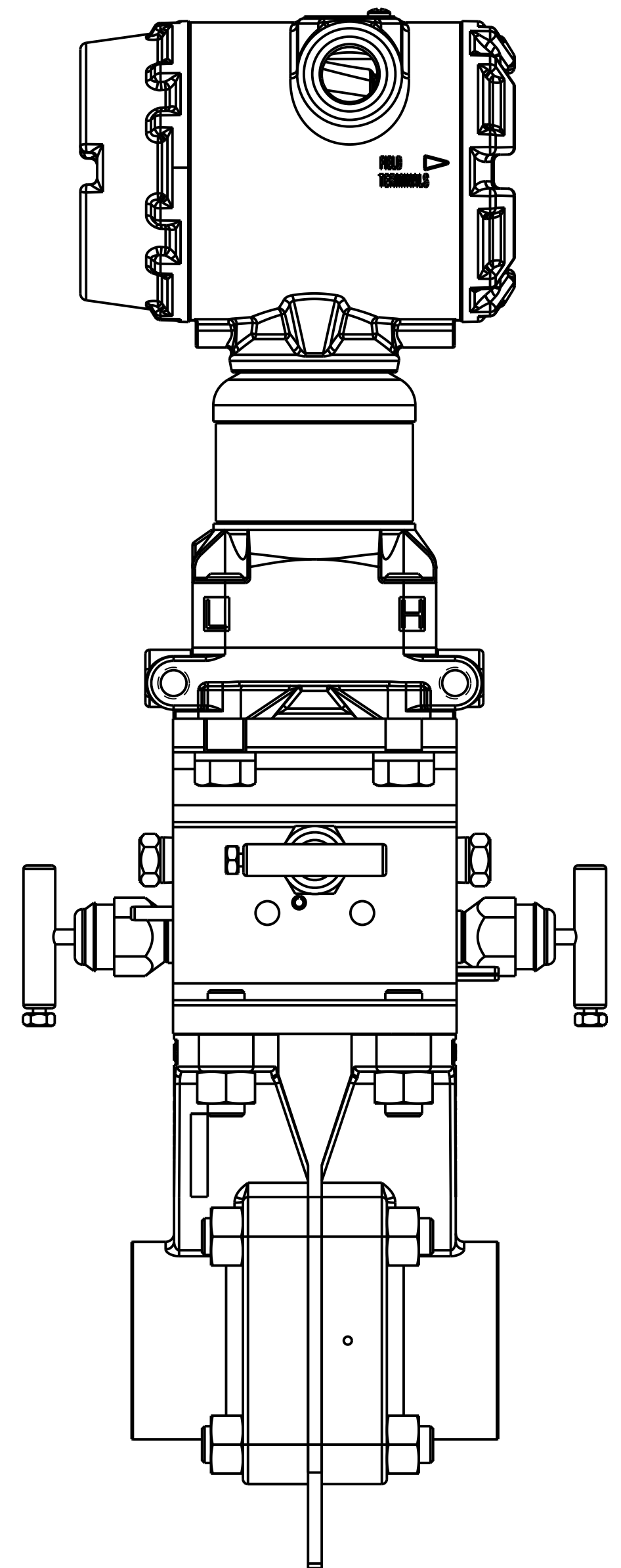
A B C D E F G H J K L M



TRANSMITTER MANIFOLD ASSEMBLY
CONNECT WITH 1195
EXPLODED VIEW

©2015 ROSEMOUNT INC. ROSEMOUNT INC. CERTIFIES THIS DRAWING TO BE IN ACCORDANCE WITH ROSEMOUNT ENGINEERING SPECIFICATIONS. UNIT NOTES IN INCHES (mm). REFERENCE ROSEMOUNT PRODUCT SPECIFICATIONS FOR PRODUCT SPECIFICATIONS. CLICK HERE	3RD ANGLE	SIZE D	SCALE NTS
	TITLE ROSEMOUNT TOP ASSEMBLY, 1195 4-BOLT TYPE I DRAWING		
	DR. M.ZHENG 04/06/16 DRAWING NO.	01195-1004	
APP'D C.HAN 04/06/16			
CAD MAINTAINED, (PROE)	SHEET 9 OF 11		

FLOWMETER	TRANSMITTER X	TRANSMITTER Y		
		LINE SIZE 1/2" [12.7]	LINE SIZE 1" [25.4]	LINE SIZE 1-1/2" [38.1]
2051CFP	7.03 [178.5]	13.85 [351.8]	14.10 [358.1]	14.50 [368.3]
3051CFP	7.12 [181.0]	13.92 [353.6]	14.17 [359.9]	14.57 [370.1]
3051SFP	8.55 [217.0]	15.37 [390.4]	15.62 [396.7]	16.02 [406.9]



DIRECT MOUNT TRANSMITTER AND MANIFOLD
 WHEN B31.1, B31.3, B31.8 (J2, J3, J4) OR C-276
 MANIFOLD (D4, D6) ARE SELECTED.

©2015 ROSEMOUNT INC.
 ROSEMOUNT INC. CERTIFIES
 THIS DRAWING IS IN
 ACCORDANCE WITH
 ROSEMOUNT ENGINEERING
 SPECIFICATIONS.
 UNIT NOTES IN INCHES (mm).
 REFERENCE ROSEMOUNT
 PRODUCT SPECIFICATIONS.
 CLICK HERE

3RD ANGLE

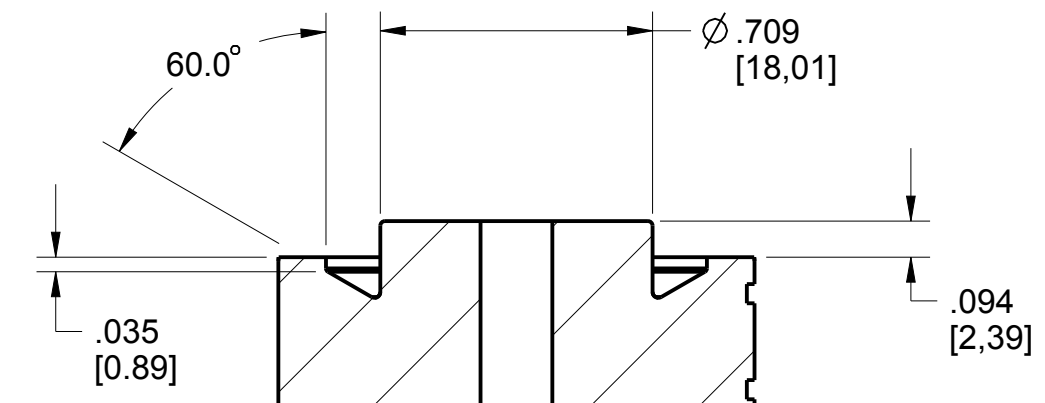
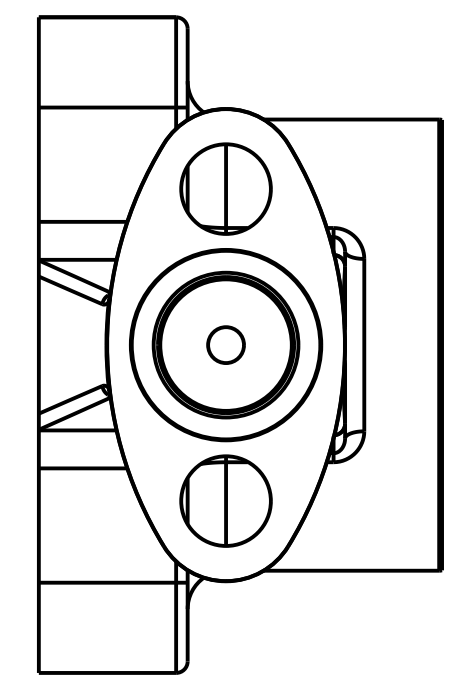
EMERSON

TITLE ROSEMOUNT TOP ASSEMBLY, 1195 4-BOLT
 TYPE I DRAWING

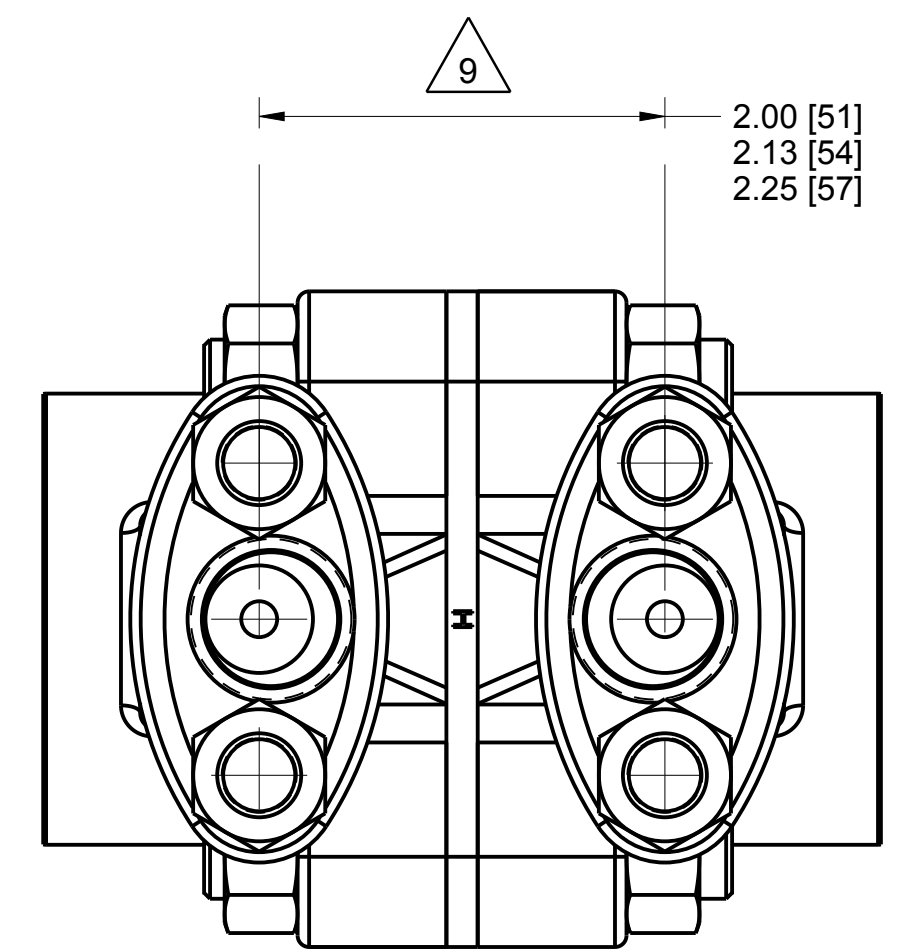
DR. M.ZHENG 04/06/16 DRAWING NO. 01195-1004
 APPD C.HAN 04/06/16
 CAD MAINTAINED, (PROE) SHEET 10 OF 11

1 2 3 4 5 6 7 8 9 10 11 12 13 14 15 16

A B C D E F G H J K L M



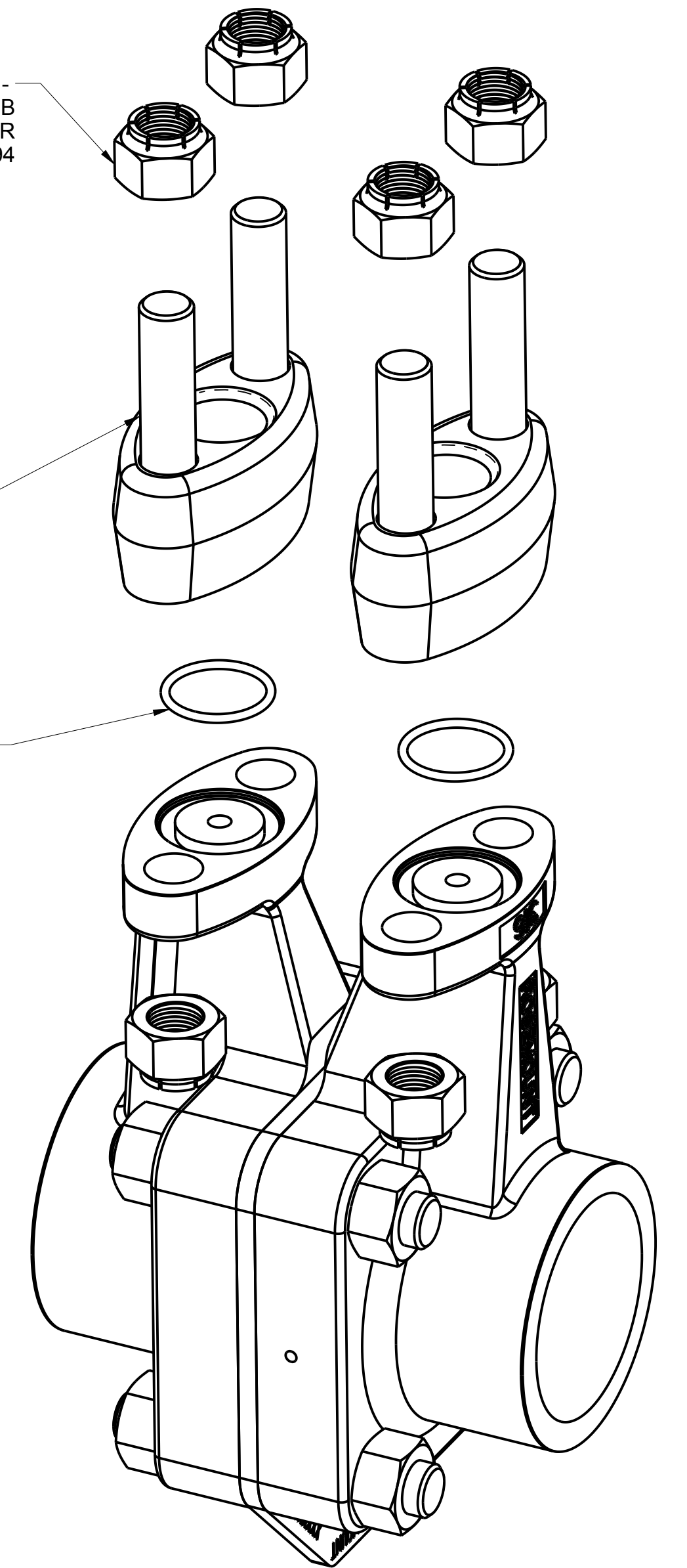
DETAIL A
SCALE 2/1



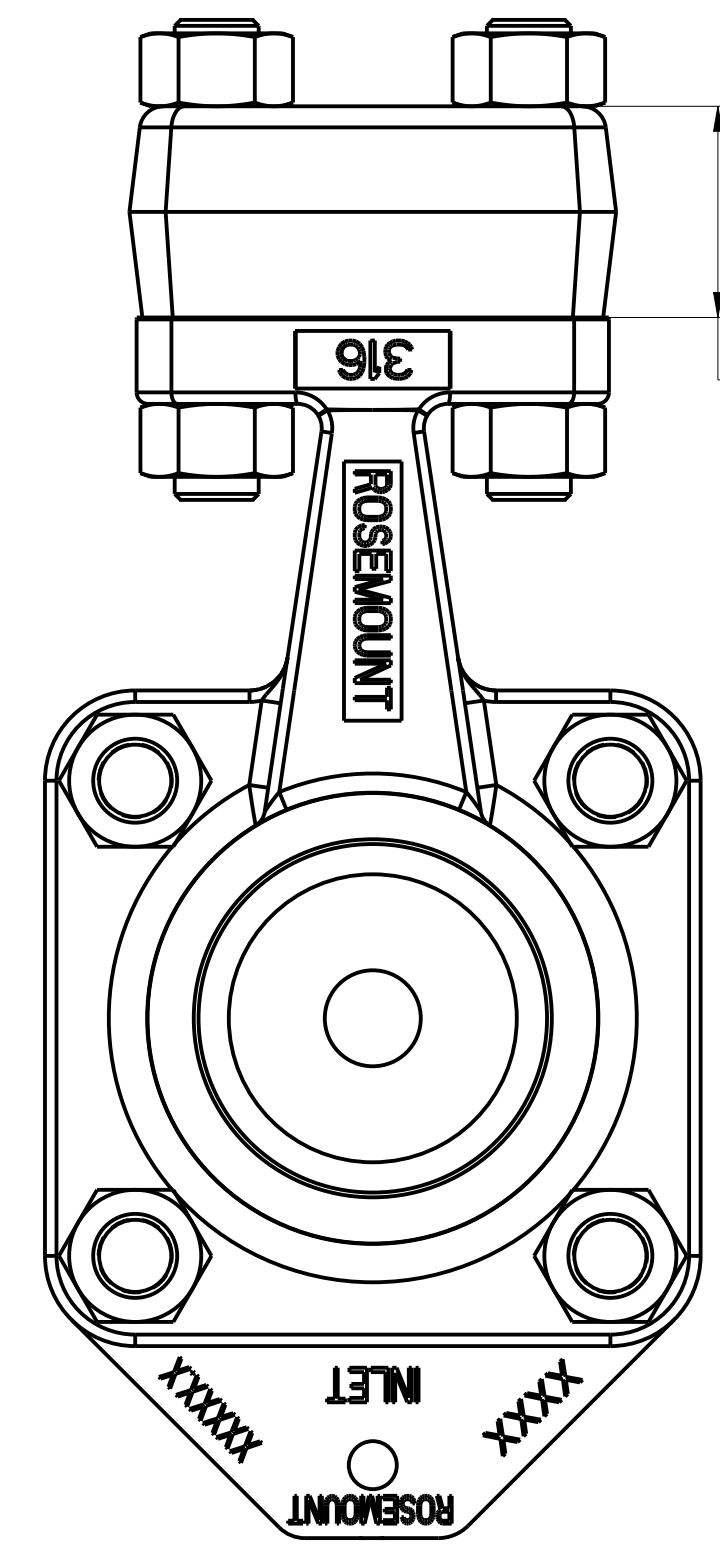
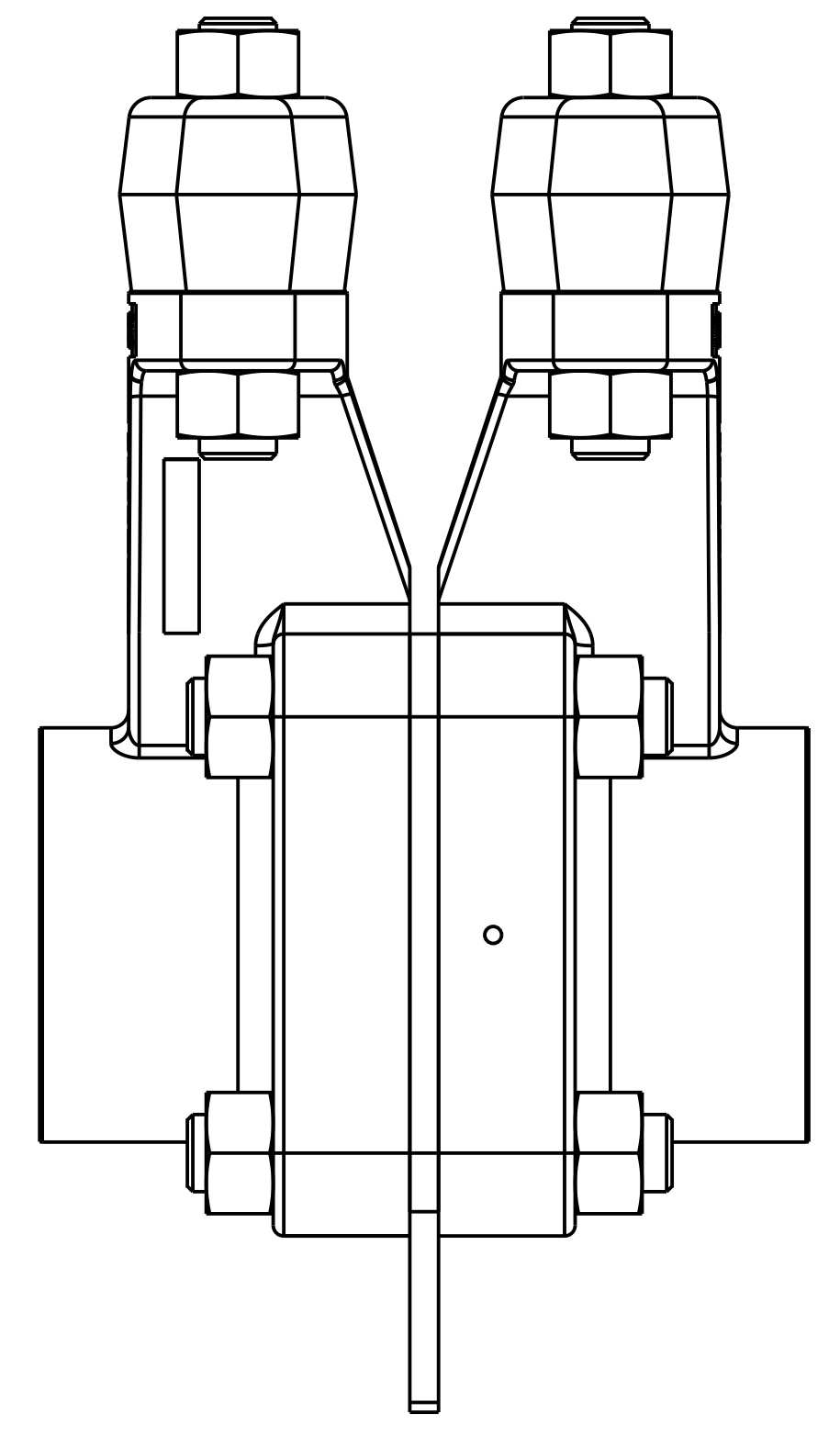
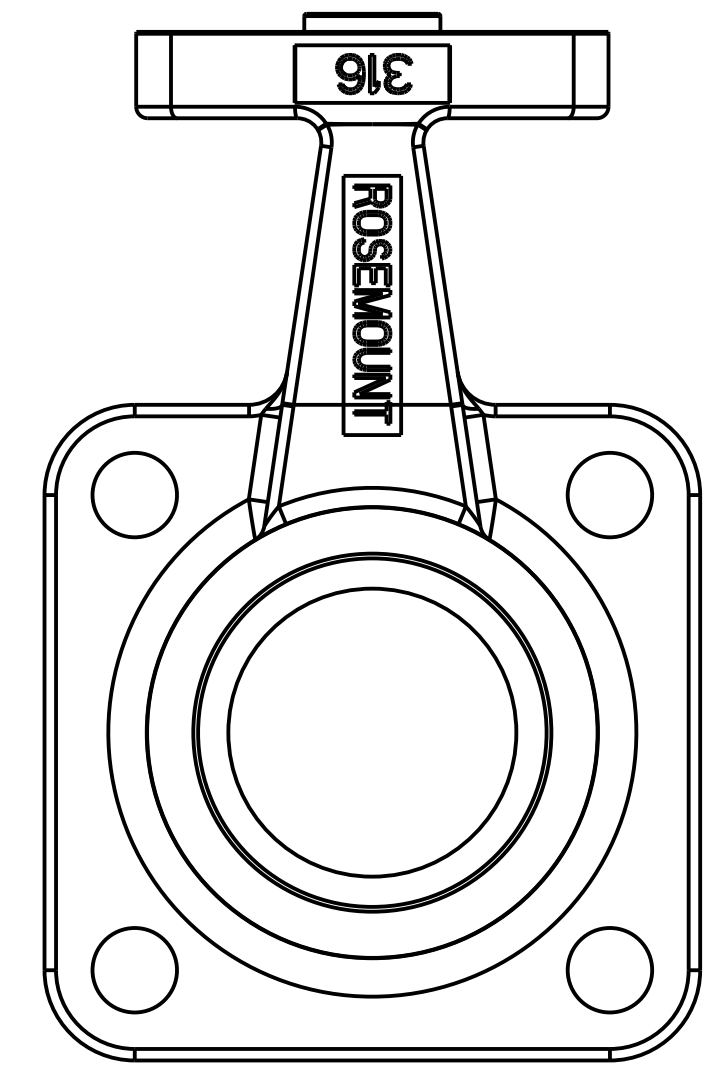
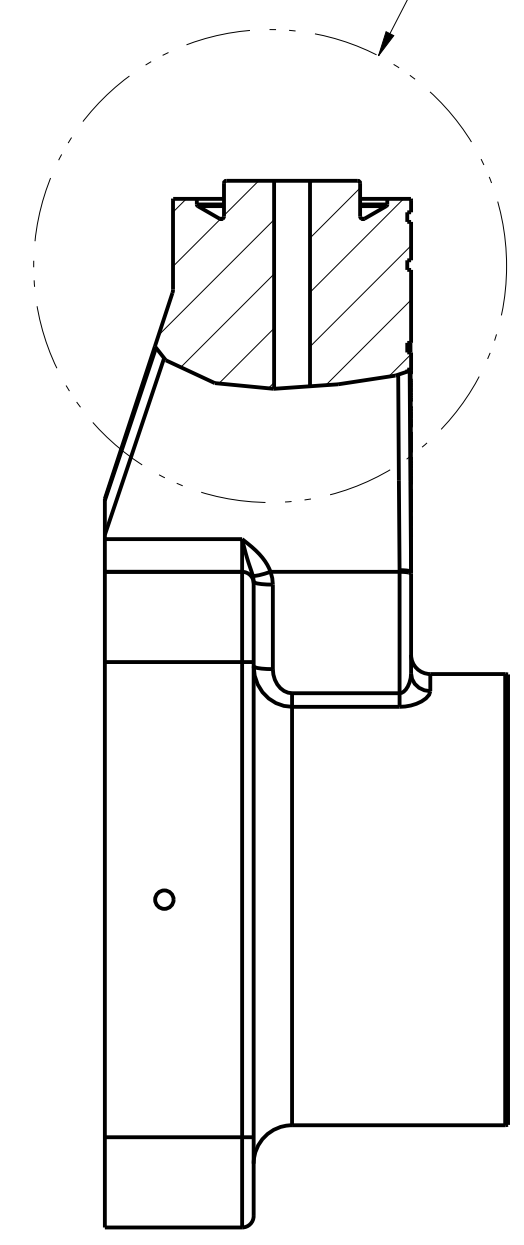
8X NUT -
CORROSION RES, AUSTINIC, 7/16-20 UNJF-3B
OR
316SS, 7/16-20 ASTM A194

4X STUD -
ASTM A-193 GR B8M GLASS2
OR
ASTM A-193 GR B8M GLASS1

2X
INCONEL X-750 METAL GASKET
OR
PTFE/GLASS FILLED GASKET



SEE DETAIL A



1.10
[27.9]

DIN 19231 TRANSMITTER
CONNECTION

ADAPTER FOR REMOTE MOUNTING

©2015 ROSEMOUNT INC. ROSEMOUNT INC. CERTIFIES THIS PRODUCT TO THE REQUIREMENTS OF THE STANDARD IN ACCORDANCE WITH ROSEMOUNT ENGINEERING SPECIFICATIONS. UNIT NOTES IN INCHES (mm). REFERENCE ROSEMOUNT PRODUCT SPECIFICATIONS. CLICK HERE	3RD ANGLE	SIZE D	SCALE NTS
	TITLE ROSEMOUNT TOP ASSEMBLY, 1195 4-BOLT TYPE I DRAWING		
	DR. M.ZHENG 04/06/16 DRAWING NO.	01195-1004	
APPD C.HAN 04/06/16			
CAD MAINTAINED, (PROE)	SHEET 11 OF 11		