

Drawings

Models AR-PX, AR-WX Outdoor-installed Waterproof Boxes (for a single Arrester)

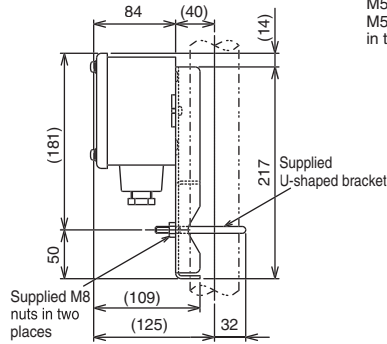
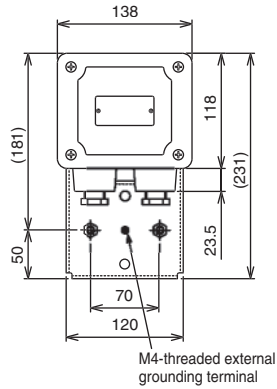
SD 77M02Y01-01E

External Dimensions

Unit: mm

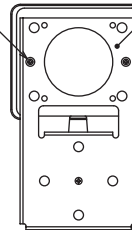
AR-PX (Pipe Mounting)

● Vertical Mounting

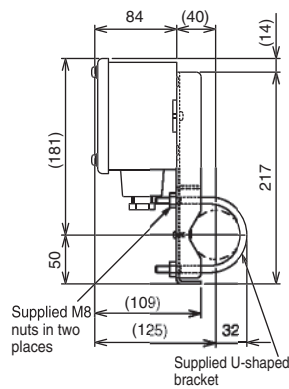
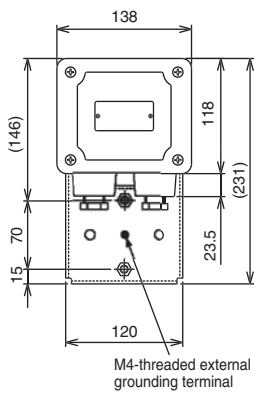


Supplied M5 screws,
M5 washers and
M5 spring washers
in two places

Supplied pipe-mounting
bracket



● Horizontal Mounting



AR-WX (Wall Mounting)

