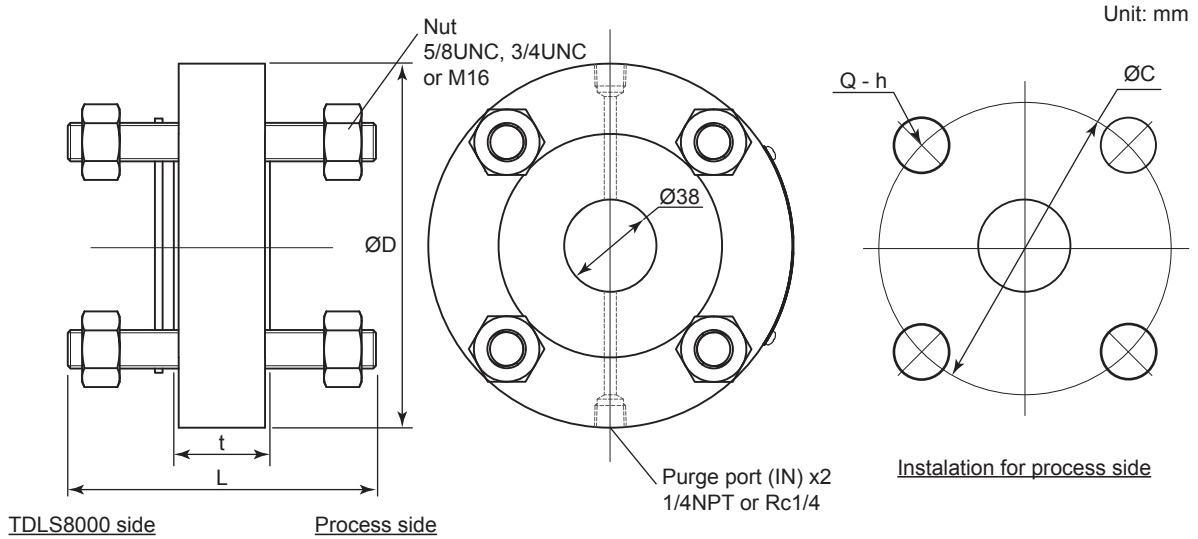


Drawings

IF8000 Isolation Flange for TDLS8000



Process Connection code (flange)	Analyzer Connection code (flange)	Hole QTY Q	Hole h	Nut	Hole P.C.D C	Thickness t	Outside dia. D	Bolt length L	Purge port	Weight (Approx. kg/pc)	
										□ -SS 316/316LSS	□ -MN Monel 400
-21 ANSI CLASS150-2-RF(Eq.)	-21 ANSI CLASS150-2-RF(Eq.)	4	19	5/8 UNC	120.7	39.6	150	127	1/4 NPT	5	6
-23 ANSI CLASS300-2-RF(Eq.)		8	19		127	39.6	165	137		7	7
-31 ANSI CLASS150-3-RF(Eq.)		4	19	152.4	39.6	190	137	8		9	
-33 ANSI CLASS300-3-RF(Eq.)		8	22	3/4 UNC	168.3	39.6	210	146		11	12
-41 ANSI CLASS150-4-RF(Eq.)	-50 DIN PN16-DN50-D(Eq.)	8	19	5/8 UNC	190.5	39.1	228.6	137	Rc1/4	12	14
-50 DIN PN16-DN50-D(Eq.)		4	18	M16	125	41.6	165	137		7	7
-80 DIN PN16-DN80-D(Eq.)		8	18		160	41.6	200	137		10	11
-J5 JIS 10K-50-FF(Eq.)		4	19		120	40.6	165	139		7	7
-J8 JIS 10K-80-FF(Eq.)	8	19	150		40.6	185	139	9	10		

Unless otherwise specified, differences in the dimensions are specified as: General tolerance = ±(Criteria of tolerance class IT18 in JIS B0401-1998)/2.