
**User's
Manual**

**Model RAKD
Small Metal ROTAMETER**

IM 01R01B30-00E-E

vigilantplant.™

Blank Page

Contents

1. Introduction	1-1
1.1 General description.....	1-3
1.2 Principle of measurement	1-3
1.3 Overview.....	1-4
2. Precautions	2-1
2.1 Transportation and Storage	2-1
2.2 Installation	2-1
3. Installation	3-1
3.1 Installation in the pipeline	3-1
3.2 Wiring	3-1
3.2.1 Connecting diagrams	3-1
3.2.2 Conductor connection with Quickon	3-3
3.2.3 Conductor M12 connection (Option /A29 or /A30)	3-6
4. Start of operation	4-1
4.1 Hints on flow rate measurement.....	4-1
4.2 Pulsation and pressure shock.....	4-1
4.3 Start of operation of electronic transmitter	4-1

5. Limit switches (Option /K1 – /K8)	5-1
6. Service	6-1
6.1 Maintenance	6-1
6.1.1 Function test.....	6-1
6.1.2 Measuring tube, float	6-1
6.1.3 Explosion drawings	6-2
6.1.4 Electronic transmitter	6-3
6.1.5 Exchange of scale.....	6-3
6.1.6 Troubleshooting.....	6-4
6.2 Template for sending back to service	6-5
7. Technical Data	7-1
7.1 RAKD Type-, Suffix-codes and Options.....	7-1
7.2 Standard Specifications.....	7-7
7.3 Dimensions and weights	7-13
7.4 Temperature curves	7-17
8. Explosion-protected Type Instruments	8-1
8.1 General.....	8-2
8.2 Intrinsically safe ATEX certified RAKD (/KS1)	8-3
8.2.1 Technical data	8-3
8.2.2 Installation.....	8-5
8.3 Intrinsically safe IECEx certified RAKD (/ES1)	8-6
8.3.1 Technical data	8-6
8.3.2 Installation.....	8-8
8.4 ATEX registered non-electrical RAKD (/KC1).....	8-9
8.4.1 Technical data	8-9
8.4.2 Safety Instructions	8-9
8.4.3 Marking	8-9

8.5 EAC certified non-electrical RAKD (/GC1)	8-10
8.5.1 Technical data	8-10
8.5.2 Safety Instructions	8-10
8.5.3 Marking	8-10
8.6 Intrinsically safe INMETRO certified RAKD (/US1)	8-11
8.6.1 Technical data	8-11
8.6.2 Marking	8-12
8.6.3 Installation.....	8-13
8.7 Intrinsically safe "ic" ATEX /IECEX certified RAKD for Category 3G (/KS3, /ES3) .	8-14
8.8 Intrinsically safe FM (USA) components (/FS1)	8-15
8.9 Intrinsically safe NEPSI (China) certified RAKD (/NS1)	8-19
8.10 Intrinsically safe EAC (Russia, Belarus, Kazakhstan) certified RAKD (/GS1) .	8-20
8.11 Dust proof ATEX certified limit switches (/KS2)	8-21
8.12 Intrinsically safe RAKD with Taiwan Safety Label	8-21
8.13 Intrinsically safe PESO (India) certified RAKD	8-21
8.14 Intrinsically safe KOSHA (Korea) certified RAKD	8-21
APPENDIX 1. Safety Instrumented Systems Installation	A1-1
A1.1 Scope and Purpose	A1-1
A1.2 Using the Rota Yokogawa RAKD variable area flowmeter	A1-1
A1.2.1 Safety Function	A1-1
A1.2.2 Diagnostic Response Time	A1-2
A1.2.3 Setup	A1-2
A1.2.4 Proof Testing	A1-2
A1.2.5 Repair and replacement.....	A1-2
A1.2.6 Startup Time	A1-3
A1.2.7 Reliability data	A1-3
A1.2.8 Lifetime limits.....	A1-3
A1.2.9 Environmental limits.....	A1-3

A1.2.10 Application limits	A1-3
A1.3 Definitions and Abbreviations	A1-4
A1.3.1 Definitions	A1-4
A1.3.2 Abbreviations	A1-4
A1.4 Assessment results	A1-5
A1.4.1 Safety related parameters	A1-5

1. Introduction

Before use, read this manual thoroughly and familiarize yourself fully with the features, operations and handling of Rotameter RAKD to have the instrument deliver its full capabilities and to ensure its efficient and correct use.

Notices Regarding This Manual

- This manual should be passed to the end user.
- The contents of this manual are subject to change without prior notice.
- All rights reserved. No part of this document may be reproduced or transmitted in any form or by any means without the written permission of Rota Yokogawa (hereinafter simply referred to as Yokogawa).
- This manual neither does warrant the marketability of this instrument nor it does warrant that the instrument will suit a particular purpose of the user.
- Every effort has been made to ensure accuracy in the contents of this manual. However, should any questions arise or errors come to your attention, please contact your nearest Yokogawa sales office that appears on the back of this manual or the sales representative from which you purchased the product.
- This manual is not intended for models with custom specifications.
- Revisions may not always be made in this manual in conjunction with changes in specifications, constructions and/or components if such changes are not deemed to interfere with the instrument's functionality or performance.

Notices Regarding Safety and Modification

- For the protection and safety of personnel, the instrument and the system comprising the instrument, be sure to follow the instructions on safety described in this manual when handling the product. If you handle the instrument in a manner contrary to these instructions, Yokogawa does not guarantee safety.
- If this instrument is used in a manner not specified in this manual, the protection provided by this instrument may be impaired.
- As for explosion proof model, if you yourself repair or modify the instrument and then fail to return it to its original form, the explosion protected construction of the instrument will be impaired, creating a hazardous condition. Be sure to consult Yokogawa for repairs and modifications.

The following safety symbols and cautionary notes are used on the product and in this manual:



WARNING

This symbol is used to indicate that a hazardous condition will result which, if not avoided, may lead to loss of life or serious injury. This manual describes how the operator should exercise care to avoid such a risk..



CAUTION

This symbol is used to indicate that a hazardous condition will result which, if not avoided, may lead to minor injury or material damage. This manual describes how the operator should exercise care to avoid a risk of bodily injury or damage to the instrument.



IMPORTANT

This symbol is used to call your attention to a condition that must be observed in order to avoid the risk of damage to the instrument or system problems.



NOTE

This symbol is used to call your attention to information that should be referred to in order to know the operations and functions of the instrument.

For Safe Use of Rotameter RAKD



WARNING

- If the process fluid is harmful to personnel, handle Rotameter RAKD carefully even after it has been removed from the process line for maintenance or other purposes. Exercise extreme care to prevent the fluid from coming into contact with human flesh and to avoid inhaling any residual gas.
- In case of explosion proof type instrument, further requirements and differences are described in Chapter 8 " INSTRUCTIONS FOR EXPLOSION PROTECTED RAKD". The description in Chapter 8 is prior to other descriptions in this instruction manual.

**CAUTION**

- When carrying Rotameter RAKD around, exercise extreme care to avoid dropping it accidentally and causing bodily injury.

Warranty

- The warranty of this instrument shall cover the period noted on the quotation presented to the Purchaser at the time of purchase. The Seller shall repair the instrument free of charge when the failure occurred during the warranty period.
- All inquiries on instrument failure should be directed to the Seller's sales representative from whom you purchased the instrument or your nearest sales office of the Seller.
- Should the instrument fail, contact the Seller specifying the model and instrument number of the product in question. Be specific in describing details on the failure and the process in which the failure occurred. It will be helpful if schematic diagrams and/or records of data are attached to the failed instrument.
- Whether or not the failed instrument should be repaired free of charge shall be left solely to the discretion of the Seller as a result of an inspection by the Seller.

The Purchaser shall not be entitled to receive repair services from the Seller free of charge, even during the warranty period, if the malfunction or damage is due to:

- improper and/or inadequate maintenance of the instrument in question by the Purchaser.
- handling, use or storage of the instrument in question beyond the design and/or specifications requirements.
- use of the instrument in question in a location not conforming to the conditions specified in the Seller's General Specification or Instruction Manual.
- retrofitting and/or repair by an other party than the Seller or a party to whom the Seller has entrusted repair services.
- improper relocation of the instrument in question after delivery.
- reason of force measure such as fires, earthquakes, storms/ floods, thunder/lightning, or other reasons not attributable to the instrument in question.

Restriction on Use of Radio Transceiver**IMPORTANT**

Although the transmitter has been designed to resist high frequency electrical noise, if a radio transceiver is used near the transmitter or its external wiring, the transmitter may be affected by high frequency noise pickup. To test for such effects, bring the transceiver in use slowly from a distance of several meters from the transmitter, and observe the measurement loop for noise effects. Thereafter, always use the transceiver outside the area affected by noise.

1.1 General description

This manual describes installation, operation and maintenance of the RAKD. Please read it carefully before using this device.

Further, please note that customer features are not described in this manual. When modifying specifications, construction or parts, this manual is not necessarily revised unless it can be assumed that these changes will impair RAKD functions or performance.

All units are thoroughly tested before shipping. Please check the received units visually to ensure that they have not been damaged during transport. In case of defects or questions please contact your nearest YOKOGAWA service centre or sales office. Please describe any defect precisely and indicate model code as well as com. no. number.

YOKOGAWA refuses any liability for units which have been repaired by the user without prior consent and do not meet the specifications as a consequence..

1.2 Principle of measurement

The RAKD is a Variable Area Flowmeter for volume and mass measurements of gases and liquids.

A float, whose movement is nearly independent of viscosity is guided concentrically in a specially shaped cone.

The position of the float is transferred magnetically to the indicator, which shows the measurement values by a pointer on a scale. The indicator can be equipped with limit switches and an electronic transmitter.

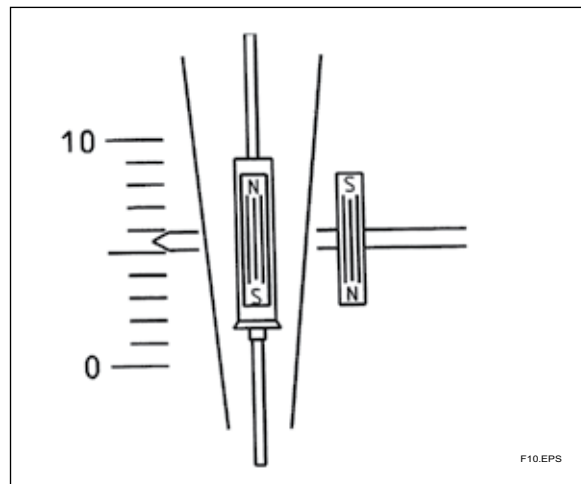
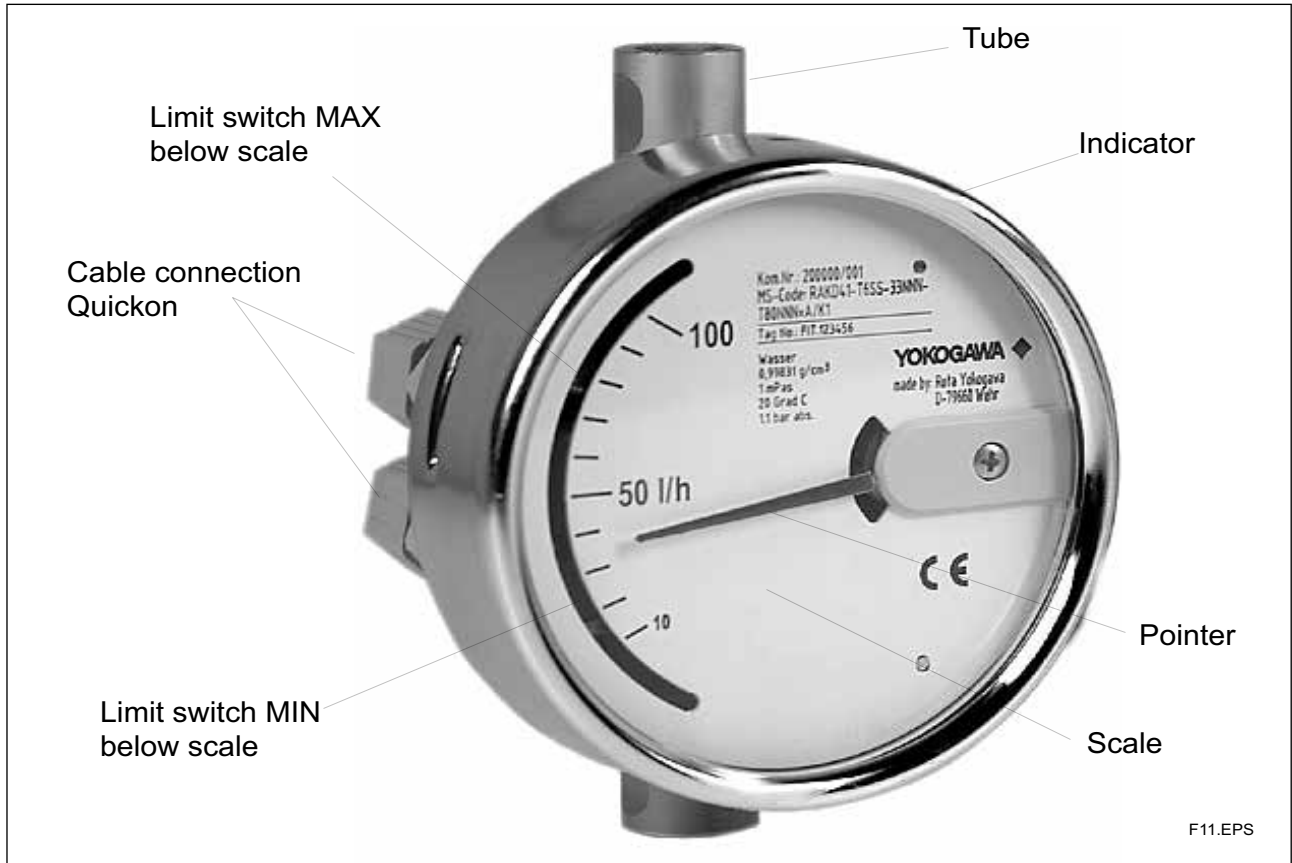


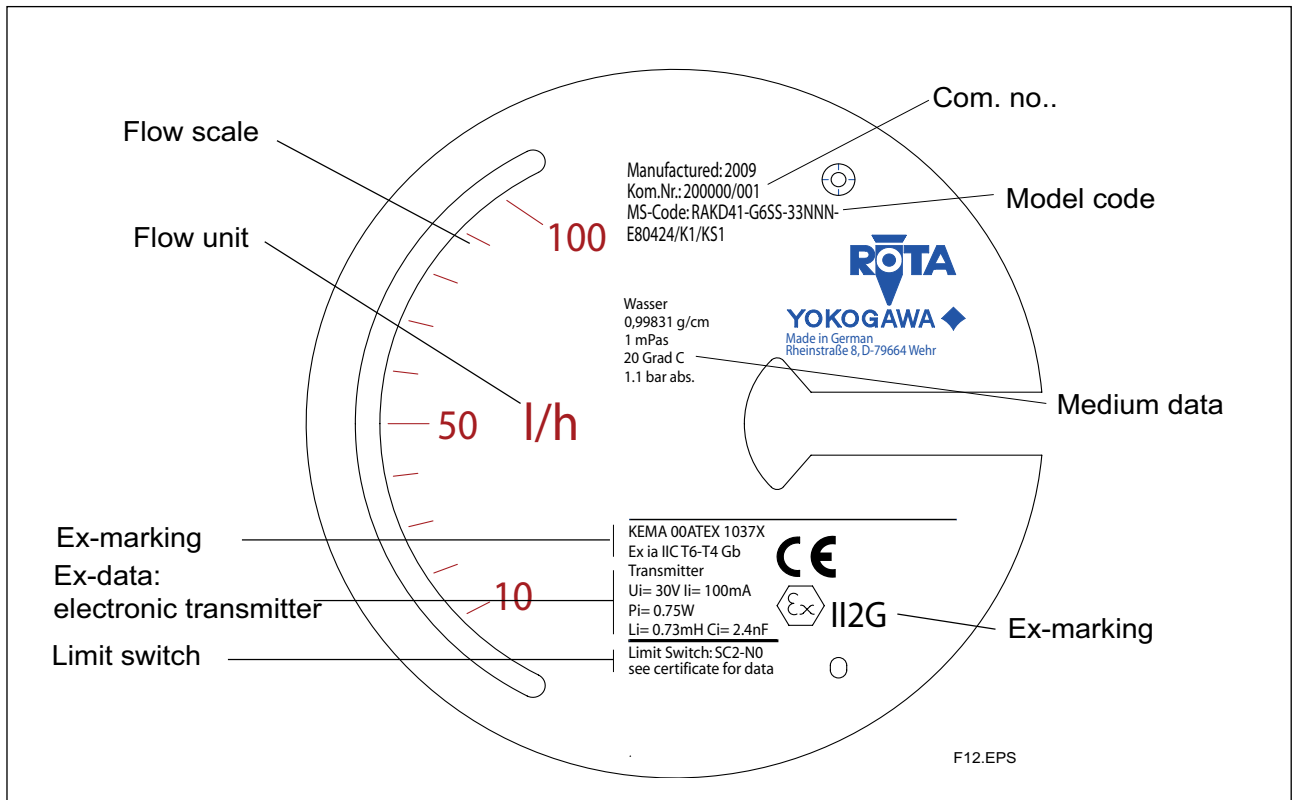
Fig. 1.1

All units are calibrated with water or air by the manufacturer. By adjusting the calibration values to the measured substance's state of aggregation (density, viscosity), the flow rate scale for each measuring tube can be determined.

1.3 Overview



Example for scale:



2. Precautions

2.1 Transportation and Storage

Before transporting the unit, it is recommended to fix the float with covers in the same way as when shipped from factory. Prevent foreign objects from entering the tube (e.g. by covering openings). To protect the unit and especially the tube's interior from soiling, store it only at clean and dry locations

2.2 Installation

Ambient temperature and humidity of the installation location must not exceed the specified ranges. Avoid locations in corrosive environments. If such environments are unavoidable, ensure sufficient ventilation. Although the RAKD features a very solid construction, the instrument should not be exposed to strong vibration or impact stress.

Please note that the magnetic sensing system of the RAKD can be influenced by external inhomogeneous magnetic fields (such as solenoid valves). Alternating magnetic fields (≥ 10 Hz) as well as homogeneous, static magnetic fields (in the area of the RAKD), like the geomagnetic field have no influence. Asymmetric ferromagnetic bodies of considerable mass (e.g. steel girders) should be kept at a distance of at least 250 mm from the RAKD.

To avoid interference, the distance between two adjacent RAKDs must be at least 120 mm.

Do not expose the unit to pressures higher than the indicated maximum operating pressure (refer to specifications)

Make sure that wetted parts are resistant against the process medium.

Ambient- and process-temperature may exceed specified maximum values. Note the temperature curves in fig. 2-1 and chapter 7 "Technical data".

The Rotameter must be mounted vertically. The flow direction is upwards.

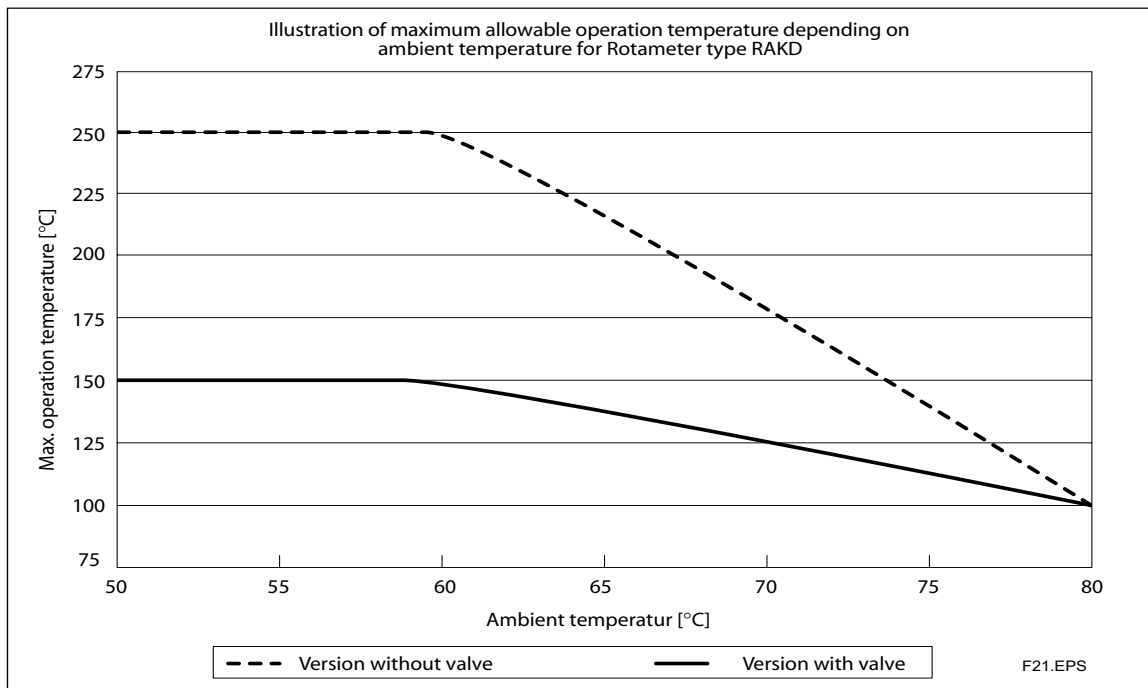


Fig. 2-1. For option /KS1or /KN1 (Ex-version) the maximum values for ambient and process temperature according to the respective temperature class mentioned in fig. 3-2 and tables 7-2 to 7-5 must be considered. The minimum ambient temperature is -25° C.

Check movability of the float (5)* by watching the pointer. The pointer should follow the movement of the float. If this is not the case, float and measuring tube (1;21)* should be cleaned.

Check the movability of the pointer by careful moving it with your fingers and watching whether it responds to the scale value. If it does not work properly, the mechanical display unit (14)* must be changed.

To avoid damage of the float and the stopper do not use magnetic valves. During start up increase the flow slowly to the desired flow rate. If a sudden rise of the pressure can not be avoided (with use of magnetic valves) the flow must be limited to the maximum used value (e.g. by valve).

* Position numbers are illustrated in the explosion drawings in chapter 6.

3. Installation

3.1 Installation in the pipeline

The pipe has to be stabilized so that vibrations on the pipe are avoided. Additional recommendations can be found in guideline VDI/VDE 3513 sheet 3.

If contamination or soiling of the RAKD is to be expected, a bypass should be installed to allow the removal of the instrument without interruption of the flow. (see. chapter 6 "maintenance").

Before installing the Rotameter, ensure that no parts of packing, securing or residues of the sealing compound get inside of the Rotameter.

To avoid stress in the connecting pipes, the connecting flanges must be aligned in parallel and axial direction. Bolts and gaskets have to be selected according to the maximum operating pressure, the temperature range and corrosion conditions. Centre gaskets and tighten nuts with a torque appropriate for the pressure range. Please read also chapter 2.2. For further instructions on installation please refer to VDI/VDE3513.

In case of devices without valve but with process connection internal thread, the float shaft of tubes with cone 44 and bigger sizes may move into the range of the threaded joint. Keep attention not to bend the guide bar when tightening the screw connection the connection. The inner diameter of the connector must be at least 8 mm for cone sizes 44 - 51 resp. 10 mm for cone sizes 52 and 53.

To avoid float bouncing in case of gas applications, attend to VDI/VDE 3515 sheet 3.
 For devices without valve use a throttle either in the inlet or outlet (to install at that side with the bigger volume).
 For installation of several instruments in parallel tubes ensure that the distance between the middle axis is at least 120 mm to avoid magnetic influence. The distance to other ferritic material should not be less than 60 mm. Take care that the strength of external magnetic fields is approximately 0 mT.

3.2 Wiring

3.2.1 Connecting diagrams

Please consider the drawings of this chapter.

RAKD with electronic transmitter or with limit switches have one or two Quickon connectors at the rear. In the connecting diagrams the lower Quickon connector is named "S" and the upper one "T".

Connector positions which are not in use are closed with a blind plug.

With option /A29 or /A30 M12 connectors are mounted, see 3.2.3.

The installation drawings of this chapter show Quickon connectors.

The following table shows the connections for the concerning configurations:

	Type T without limit switch	Type T with MIN limit switch /K1 or /K6	Type T with MAX limit switch /K2 or /K7	Type T with MIN/MAX limit switch /K3 or /K8	Type E without limit switch without puls output	Type E with MIN limit switch /K1 or /K6	Type E with MAX limit switch /K2 or /K7	Type E with puls output /CP
Quickon above "T"	---	---	MAX limit switch	MAX limit switch	Analog output	Analog output	Analog output	Analog output
Quickon below "S"	---	MIN limit switch	---	MIN limit switch	---	MIN limit switch	MAX limit switch	puls output

The load resistance of metering or indicating instruments, which are connected serial to the current output, may not exceed $(U - 13.5 V) / 20 \text{ mA}$.

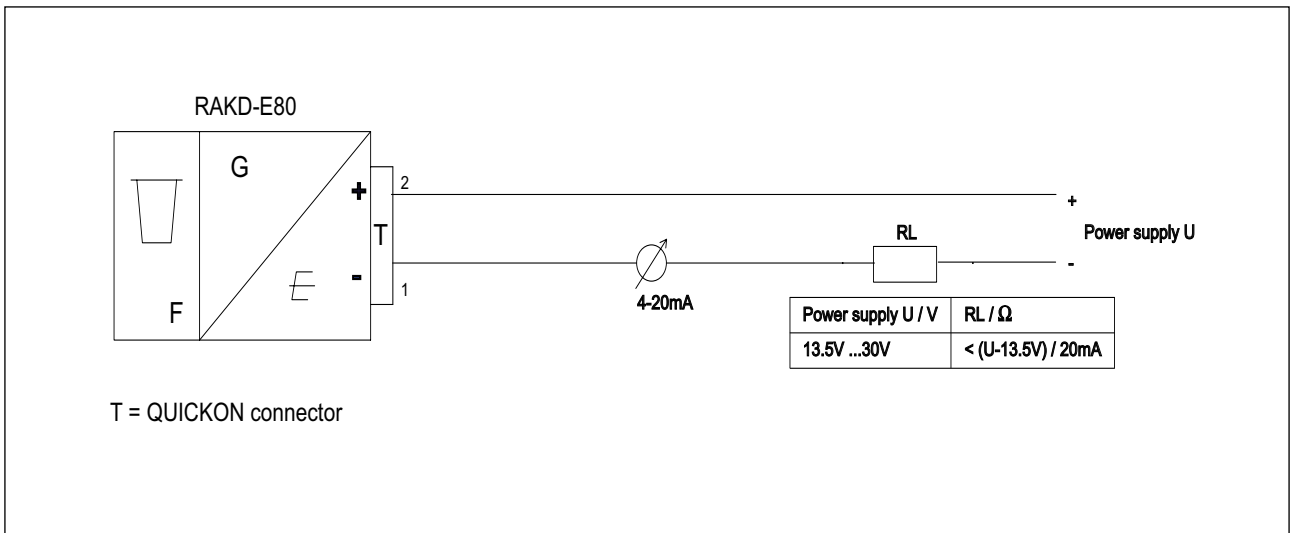


Fig. 3-1 RAKD with electronic Transmitter

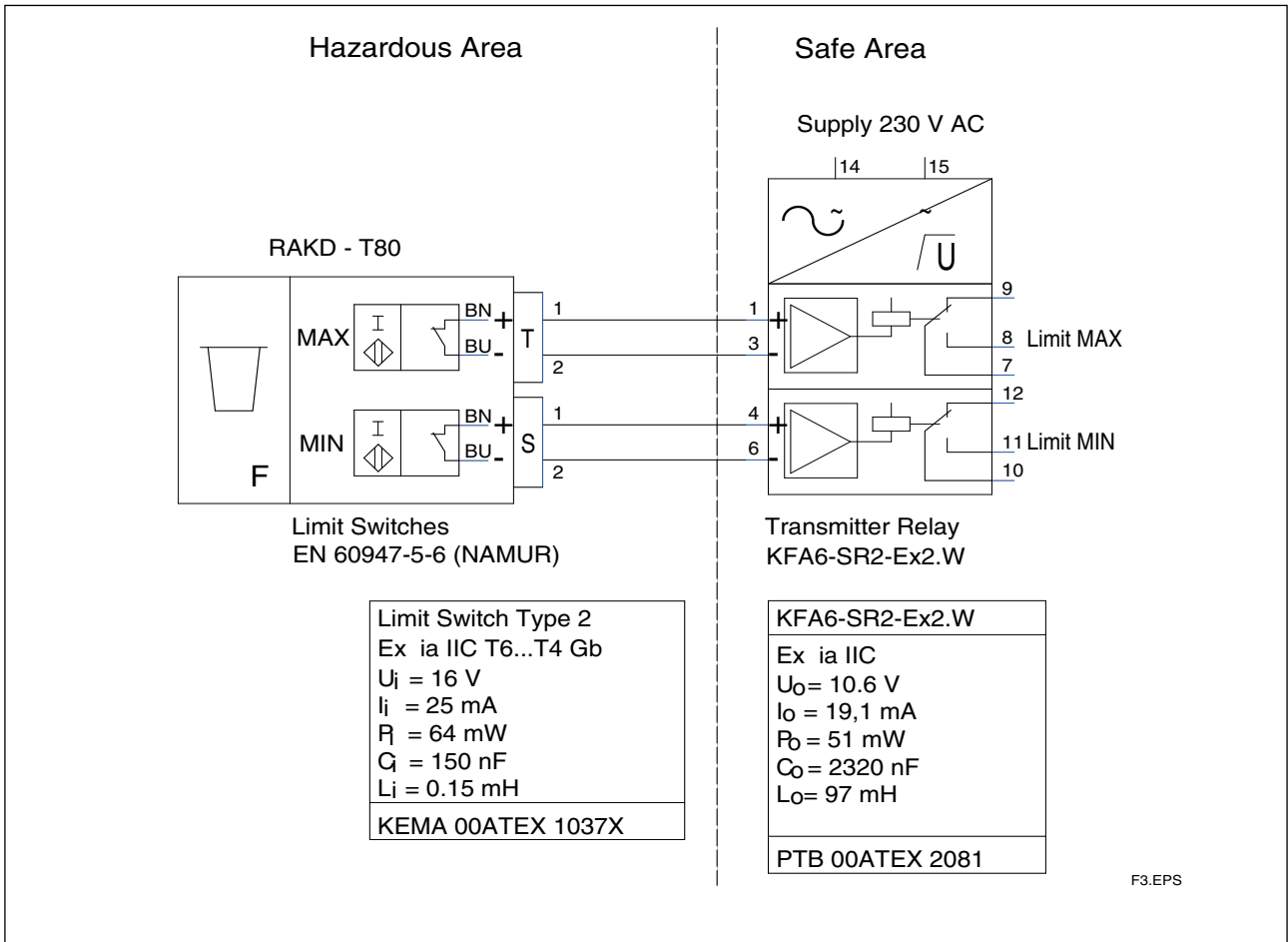


Fig. 3-2 RAKD with 2 limit switches in combination with transmitter relay in Ex- version

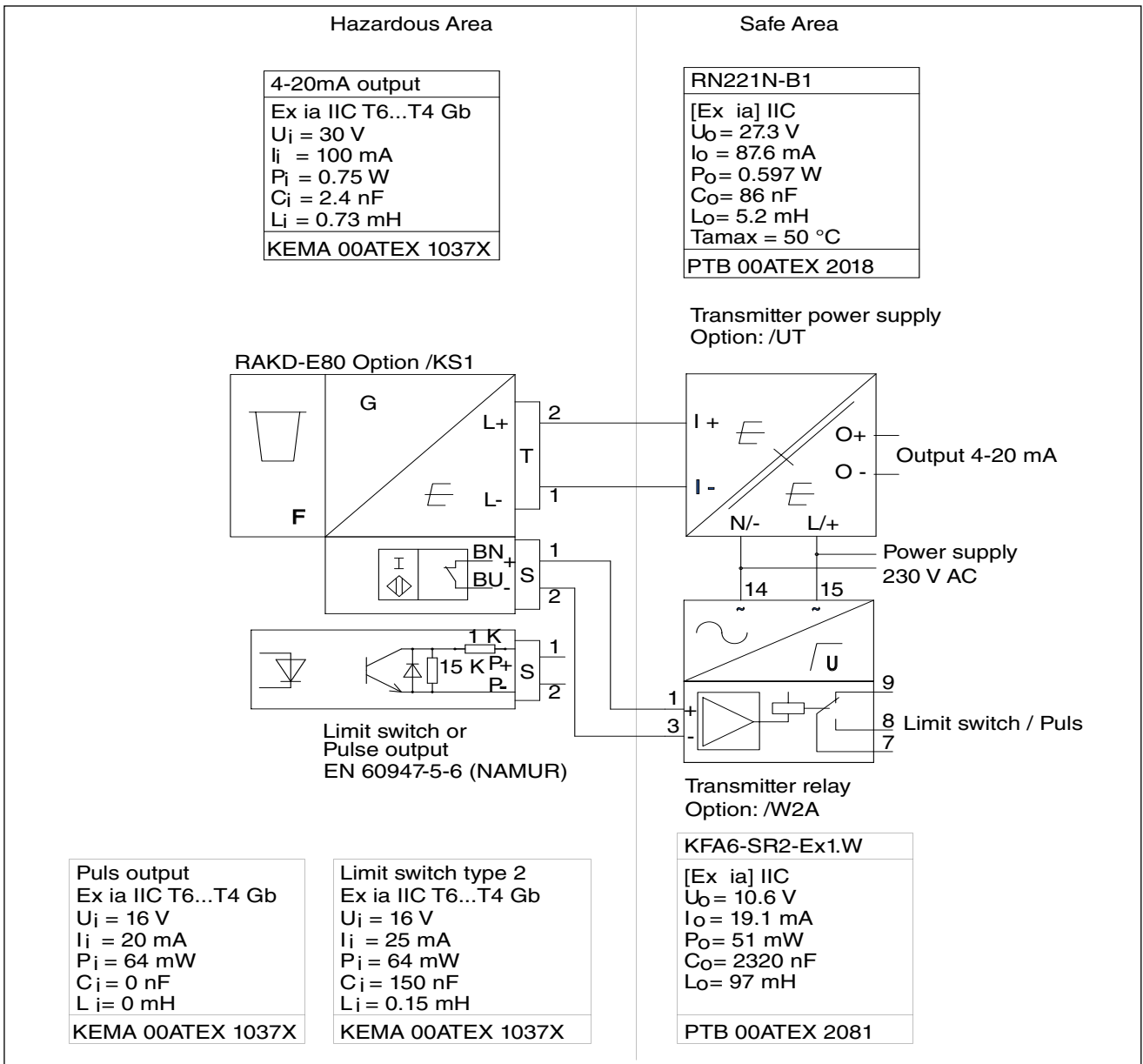


Fig. 3-3 RAKD in Ex-version with electronic transmitter in combination with power supply and additional limit switch or pulse output with transmitter relay.

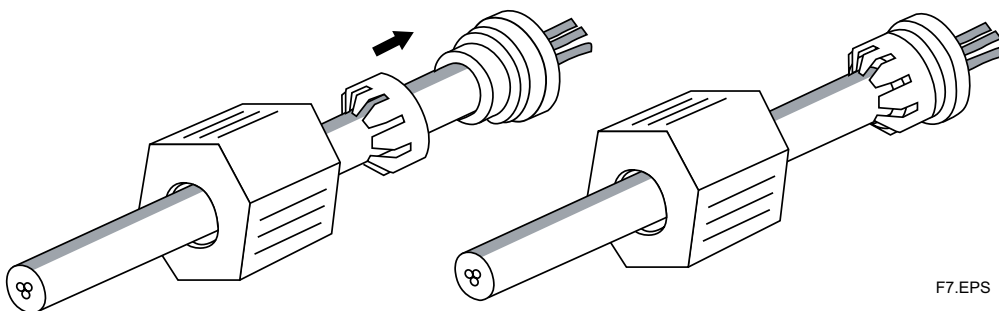
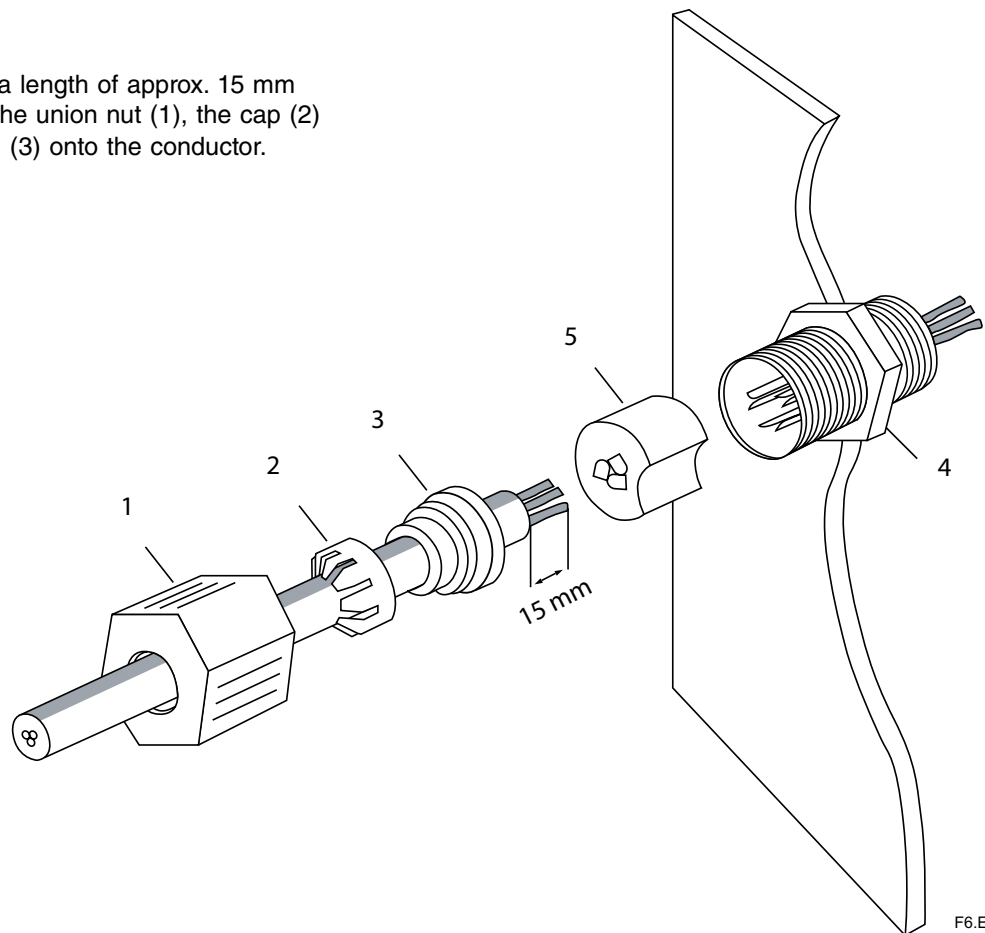
3.2.2 Conductor connection with Quickon

The following table shows the connections to the Quickon connectors for the respective equipment configuration.

Connection	Type	Option	Signal
Upper connector 2 (+) 1 (-)	E		Electronic transmitter, 4-20 mA supply
Lower connector 1 (+) 2 (-)	E	/CP	Electronic transmitter, pulse output (option /CP)
Lower connector 1 (+) 2 (-)	E	/K1, /K2, /K6, /K7	Single limit switch
Upper connector 1 (+) 2 (-)	T	/K2, /K3, /K7, /K8	Limit switch MAX
Lower connector 1 (+) 2 (-)	T	/K1, /K3, /K6, /K8	Limit switch MIN

To connect the conductor, please observe in particular the following steps:

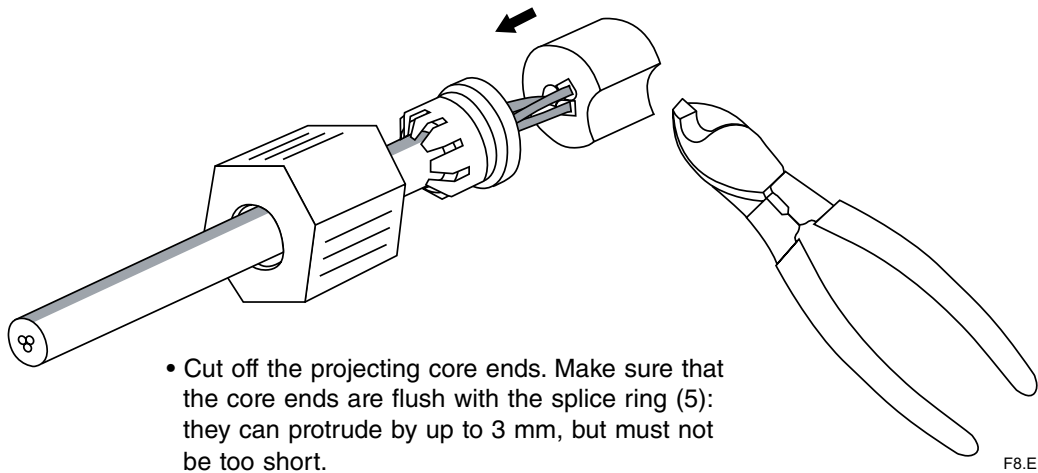
- Strip the sheath to a length of approx. 15 mm (fig. 3-4) and slide the union nut (1), the cap (2) and the rubber seal (3) onto the conductor.



- Slide the rubber seal as far as the rim of the insulation and then slide the cap onto the rubber seal. This provides the strain relief for the conductor (fig. 3-5).

- insert the core ends into the feed through of the splice ring (fig. 3-6). In order to guarantee a clear assignment of the cores, the individual core feed through of the splice ring are numbered (1, 2,...).

Fig. 3-6

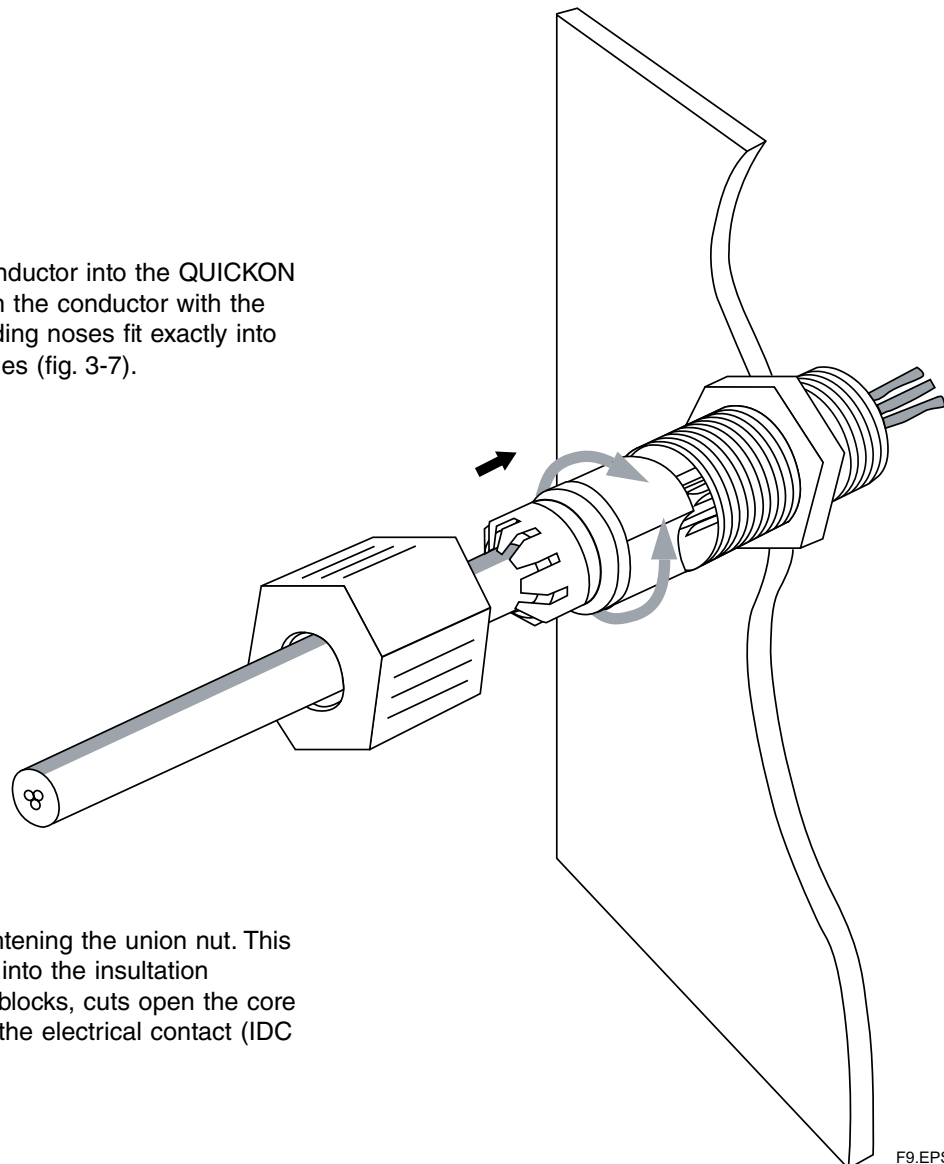


- Cut off the projecting core ends. Make sure that the core ends are flush with the splice ring (5): they can protrude by up to 3 mm, but must not be too short.

F8.EPS

- Insert the prepared conductor into the QUICKON contact carrier (4). Turn the conductor with the splice ring until the coding noses fit exactly into the corresponding guides (fig. 3-7).

Fig. 3-7



F9.EPS

- Close the gland by tightening the union nut. This presses the core ends into the insulation displacement terminal blocks, cuts open the core insulation and creates the electrical contact (IDC connection system).

3.2.3 Conductor M12 connection (Option /A29 or /A30)

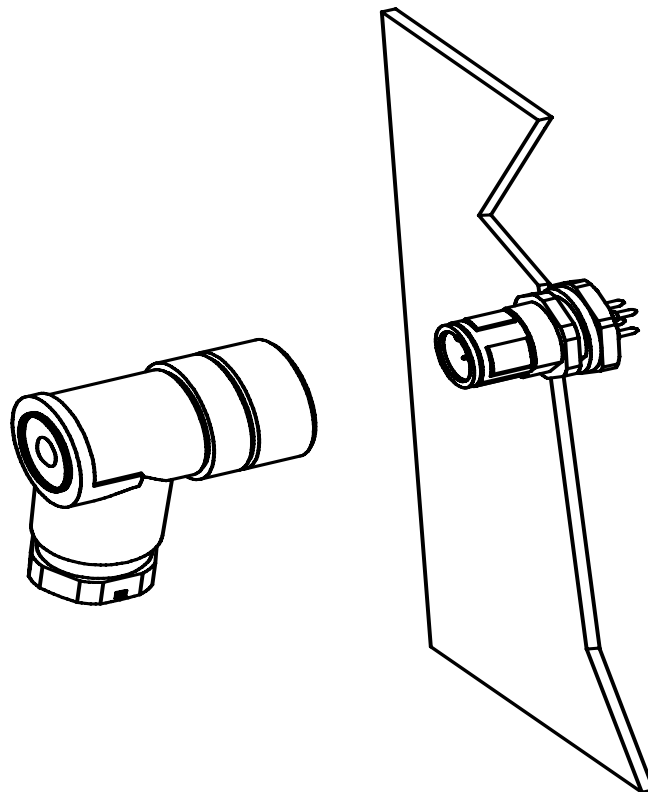
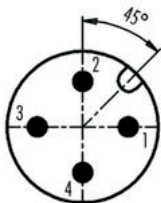


Fig. 3-8

Angular mating connector is only factory delivered with option /A30.

Pin assignment:



Connection	Type	Option	Signal
Upper connector 1 (+) 2 (-)	E / T	/K1, /K2, /K3, /K6, /K7, /K8	Single limit switch, Two limit switches /K3, /K8, e.g. MIN MAX ==> MIN
Upper connector 3 (+) 4 (-)	E / T	/K3, /K8	Single limit switch, Two limit switches /K3, /K8, e.g. MIN MAX ==> MAX
Lower connector 1 (+) 2 (-)	E		Electronic transmitter, 4-20 mA supply
Lower connector 3 (+) 4 (-)	E	/CP	Electronic transmitter, pulse output (option /CP)

4. Start of operation

4.1 Hints on flow rate measurement

The measured fluid should neither consist of a multi-phase mixture nor contain ferrite ingredients or large solid mass particles.

The RAKD scale is adjusted to the state of operation/aggregation of the measured fluid by the manufacturer. If the state of operation changes, it might become necessary to establish a new scale.

This depends on several factors:

- If the RAKD is operated in the given viscosity independent range, only the density of the float as well as the operational density of the previous and new substance have to be considered. In case the operational density only changes marginally ($\leq 0.5\%$), the present scale can be used.
- If the RAKD is operated outside the given viscosity independent range, the viscosities at the previous and new state of operation as well as the mass and diameter of the float have to be taken into account.

To establish a new scale, please refer to the folder "Anweisung zur Skalenumrechnung" (Instructions for Scale Conversion) as well as the conversion table or order a new scale.

4.2 Pulsation and pressure shock

Strong pressure impact or flow pulsations can impair measuring operation considerably and should be avoided (open valves slowly, raise operating pressure slowly).

4.3 Start of operation of electronic transmitter

Ensure that the device has been connected correctly according to section 3-2 and that the used power supply meets the requirements indicated on the scale.

Switch on the power supply.

The RAKD is now ready for operation.

The transmitter is prepared and calibrated according to its model code as a 2 wire unit.

Blank Page

5. Limit switches (Option /K1 – /K8)

The optional limit switches are available as maximum or minimum type switches. They are proximity switches according to EN 60947-5-6 (NAMUR). Maximal two switches can be installed. The option (/Wnn) includes the respective transmitter relay.

These switches have been specified for hazardous area. However, the transmitter relay must be installed in safe area.

The limit switches are connected to the transmitter relays as indicated in chapter 3.2.

The terminals for the limit switches are on a small board on top of the transmitter case.

Use of 2 standard limit switches (option /K3):

The MIN-MIN and MAX-MAX functions have been integrated at the factory as MIN-MAX switches in the RAKD. The MIN-MIN or MAX-MAX function is set by adjusting the switching direction of the transmitter relay. The concerning 2- channel transmitter relays are:

Option /W1B: KFA5-SR2-Ex2.W

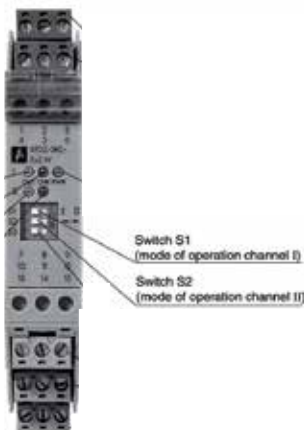
Option /W2B: KFA6-SR2-Ex2.W

Option /W4B: KFD2-SR2-Ex2.W

The following table shows the assignment:

Function		Switching direction of transmitter relay *	
Channel 1	Channel 2	Channel 1	Channel 2
MIN	MAX	S1 position I	S2 position I
MIN	MIN	S1 position I	S2 position II (ON)
MAX	MAX	S1 position II (ON)	S2 position I

* see following figure for S1 and S2 on transmitter relay.



Use of Fail Safe limit switches (option /K6 – /K8):

For Fail Safe application only 1- channel transmitter relays are available.

Option /W2E: KHA6-SH-Ex1.W

Option /W2F: 2 x KHA6-SH-Ex1.W

Option /W4E: KFD2-SH-Ex1.W

Option /W4F: 2 x KFD2-SH-Ex1.W

If other transmitter relays are used as the above mentioned types, the transmitter relay has to be applied as protection technology to ensure functional safety.

Please notice chapter 7.2 "Standard specifications".

For questions regarding protection technology, please consult your YOKOGAWA service center.

Blank Page

6. Service

6.1 Maintenance

6.1.1 Function test

Checking free movement of pointer:

- Remove housing cover (4 screws).
- After deflecting the pointer by hand, it must return to measurement value. If the pointer pivots to different values upon repeated deflections, there is too much friction in the bearings. In this case, send indication unit to service.

Checking free movement of float:

- First, free movement of pointer has to be ascertained.
- Check visually if pointer follows each flow rate change. If not, clean float and measuring tube.

Unit with electronic transmitter:

- Without flow, the output current must be 4 mA. At a flow rate of 100 % the current must be 20 mA. If only the pointer is moved to 100 %, the current may not exceed 17 mA.

6.1.2 Measuring tube, float

The Rotameter does not normally require any maintenance. However cleaning is necessary if the measuring cone or flat has been contaminated by the process. To clean, the Rotameter must be removed from the pipeline.

For all kind of intervention in the Rotameter like tightening the packing of the valve the pressures in pressurized pipelines has to be reduced. Take care that the counter screw is tightened after screwing the valve.

Disassembling the tube

Please perform the following steps to clean the measuring tube and the float:

- Disassemble the Rotameter from the pipe
- Unscrew hollowed top threaded bolt (6) (for cone 31 – 43)
resp. remove top snap ring and socket (for cone 44 – 51)
resp. only top snap ring (for cone 52 – 53)
- Remove top float stop (3)
- While removing the float, please do not bend the float
- For version with valve in the inlet remove first the top head pipe plug (8)
- For version with valve in the outlet remove first the lower head pipe plug;
in that case the disassembling of all parts start from bottom to top
- Cleaning of metering tube and float
- To clean the valve loose screw nut (10) in the head. Afterwards you can unscrew spindle (12) with PTFE packing box plus thrust collar (9)



IMPORTANT

Please don't expose the float to any strong magnetic alternating fields. The floating body and particularly its measuring edge may not be damaged.

Assembling the tube

Mounting starts in opposite sequence.

Assembling the float take care that the lower guide bar of the float is fixed in the middle borehole of the lower stop. The guide bar should not be bended.

6.1.3 Explosion drawings

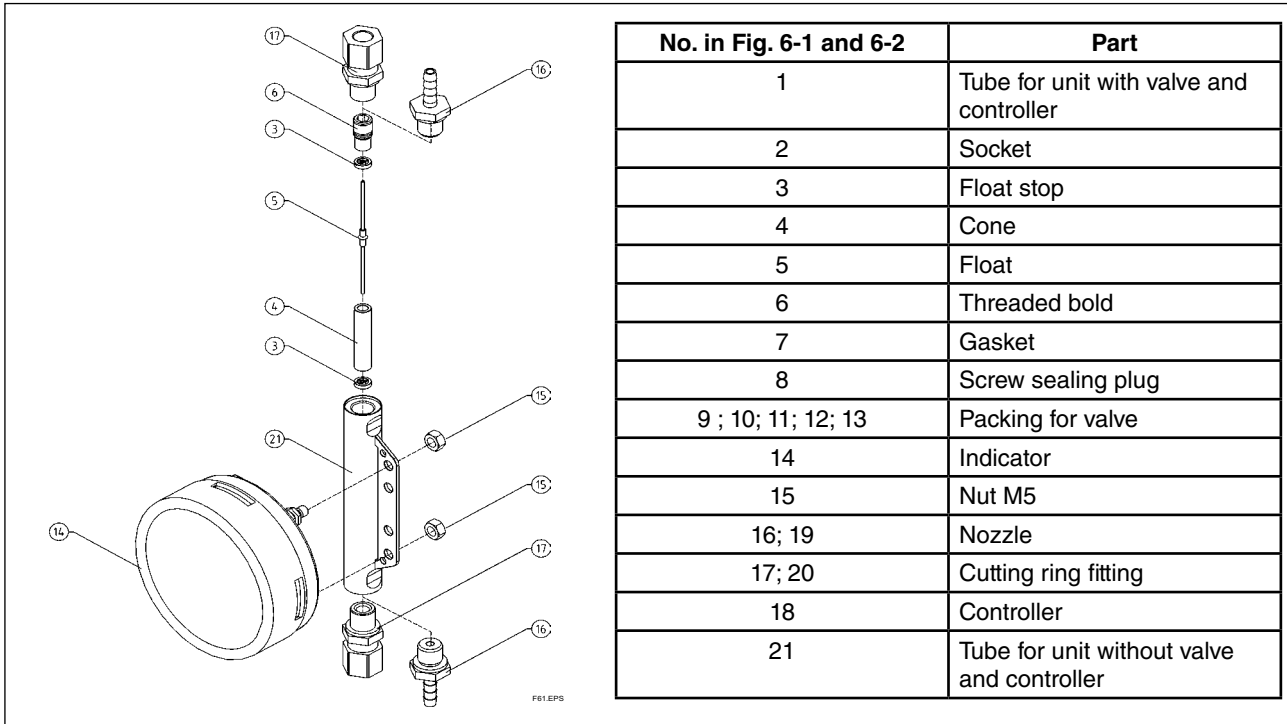


Fig. 6-1 RAKD without valve and controller

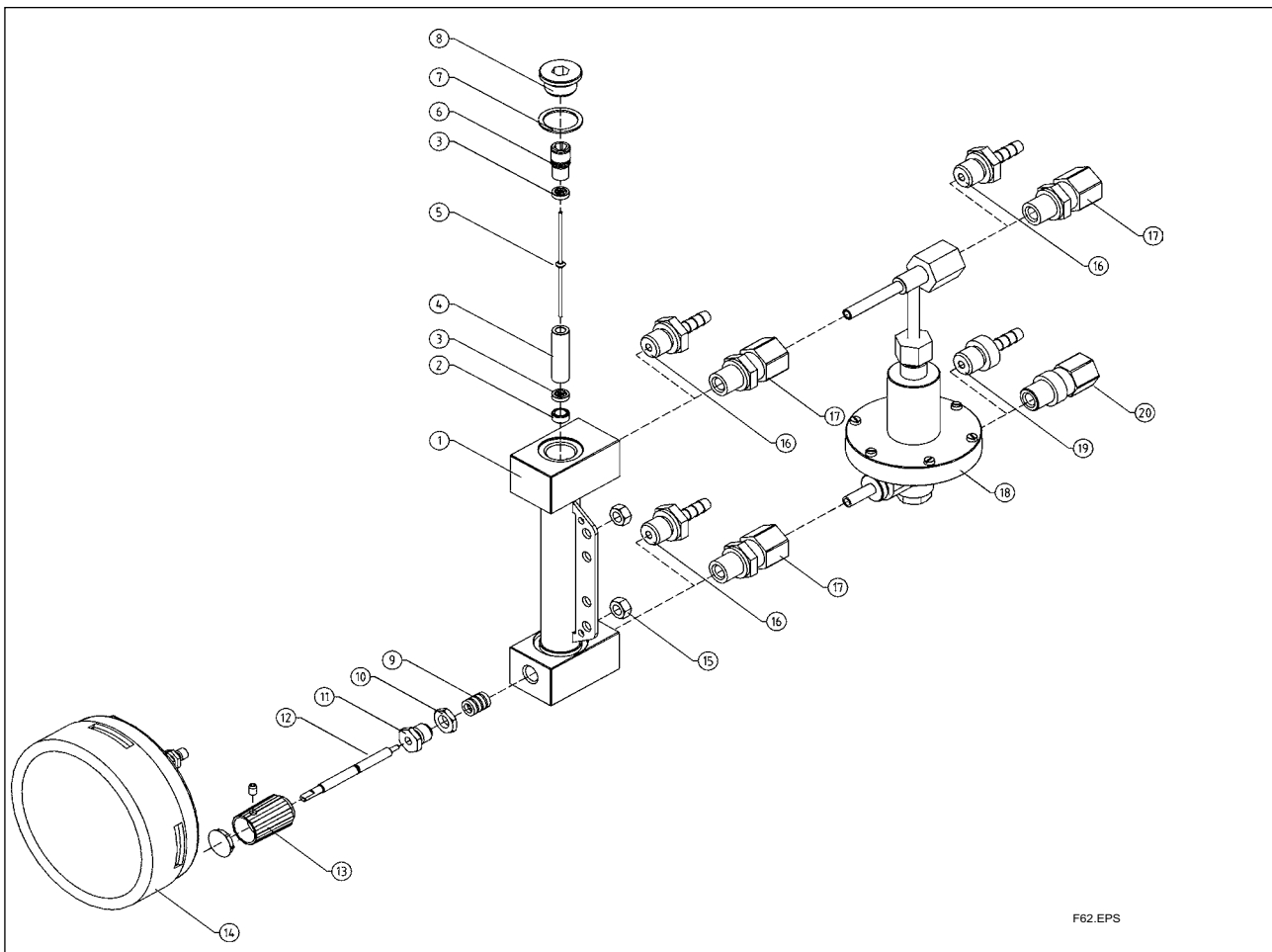


Fig. 6-2 RAKD with valve and controller

6.1.4 Electronic transmitter

The electronic transmitter is maintenance-free. The electronic section is sealed and can not be repaired. The transmitter is tuned with the mechanical components in factory, therefore single components can be replaced only by loss of accuracy.

6.1.5 Exchange of scale

Preparations:

- Check commission no., code, and data of new parts.
- Switch off power supply.
- Remove the cover of the indicator



IMPORTANT

Do not bend or twist the pointer on its axis!

Exchange of scale:

- Untighten the screw of the scale.
- Remove the screw and the small cover.
- Pull the scale out of the indicator to the left in which the scale raised on the right to raise it from the 2 pins.
- Shove the new scale correspondingly below the pointer from the left until the 2 pins click into the accompanying holes.
- Establish the small cover and fix the scale with the screw.

Final actions:

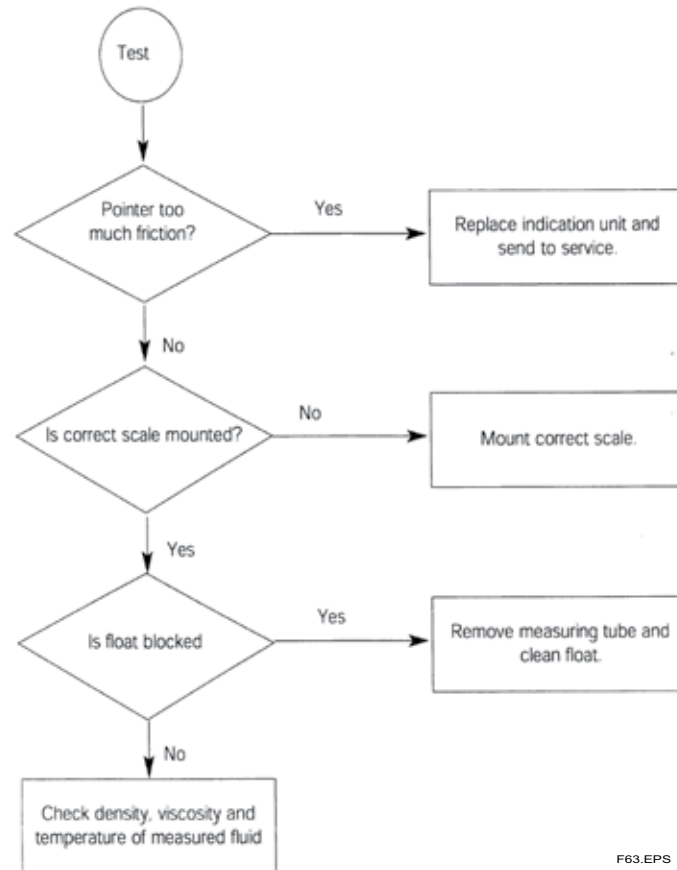
- Fix the cover of the indicator.
- Switch power on.
- Check the unit for a faultless function.

6.1.6 Troubleshooting

In case the RAKD does not work properly, use the following flow charts for troubleshooting, then check, isolate and remedy the fault.

Precision problems with "T" unit: execute test acc. fig. 6-3

If the indicated countermeasure do not remedy the fault or in case of troubles which cannot be remedied by the user, please contact your YOKOGAWA service centre.



F63.EPS

Fig. 6-3

6.2 Template for sending back to service

Sending an instrument back to service

Installation and operation of the Rotameter RAKD in compliance with this manual is generally trouble-free.

In case a RAKD has to be sent for repairs or checking to our service, please observe the following:

Due to legislation for the protection of the environment and for the safety of our staff, YOKOGAWA may only ship, repair and check sent devices on the condition that this does not constitute any risk to environment and staff.

YOKOGAWA can only process your returned RAKD if you attach a certificate of harmlessness according to the following sample.

If the unit has been in contact with corrosive, poisonous, flammable or water polluting substances, you must,

- ensure that all parts and hollow spaces of the unit are free of these dangerous substances.
- attach a certificate of harmlessness to the returned unit.

Please understand that YOKOGAWA cannot process your returned unit without such a certificate.

ROTA YOKOGAWA GmbH & Co. KG
 Service & Repair Department
 Rheinstraße 8; D - 79664 Wehr
 Phone no.: +49 (0)7761-567-190
 Fax no.: +49 (0)7761-567-285
 e-Mail: services.flow@de.yokogawa.com



Declaration of Decontamination

Legal regulations for the safety of our employees and operating equipment determine that we need the declaration of decontamination before your order can be handled.

Please make sure to include it with the shipping documents, attached to the outside of the packaging you use for shipment.

Customer data		
Company:		
Address:		
Contact person:		E-Mail:
Phone no.:		Fax no.:
Reference/Order no.:		
Instrument data*		
Type:	Serial no.:	
Type:	Serial no.:	
<small>*If not enough, note on separate sheet</small>		
Process data		
Process medium:		
Medium is:	<input type="checkbox"/> toxic <input type="checkbox"/> corrosive <input type="checkbox"/> explosive <input type="checkbox"/> biological hazardous <input type="checkbox"/> unknown if dangerous <input type="checkbox"/> non hazardous	Remarks:
Cleaning agent:		
Kind of cleaning :		
Other remarks / Reason of return:		

We hereby confirm that this statement is filled in completely and truthfully. The returned instruments were carefully cleaned and are thus free from product residue and dirt. I agree that if this arrangement does not match with the instruments, they will be sent back to the above mentioned customer address at our expenses.

Name

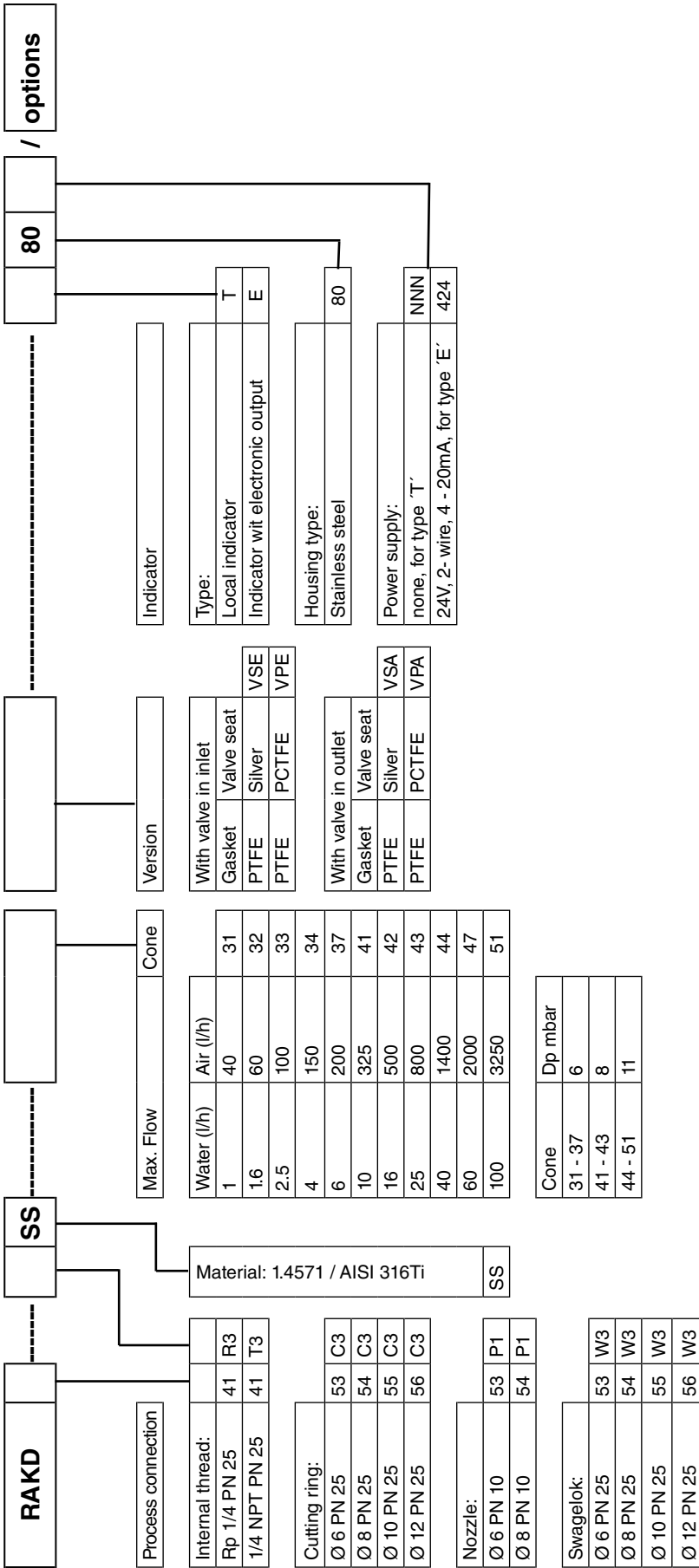
Date

Signature

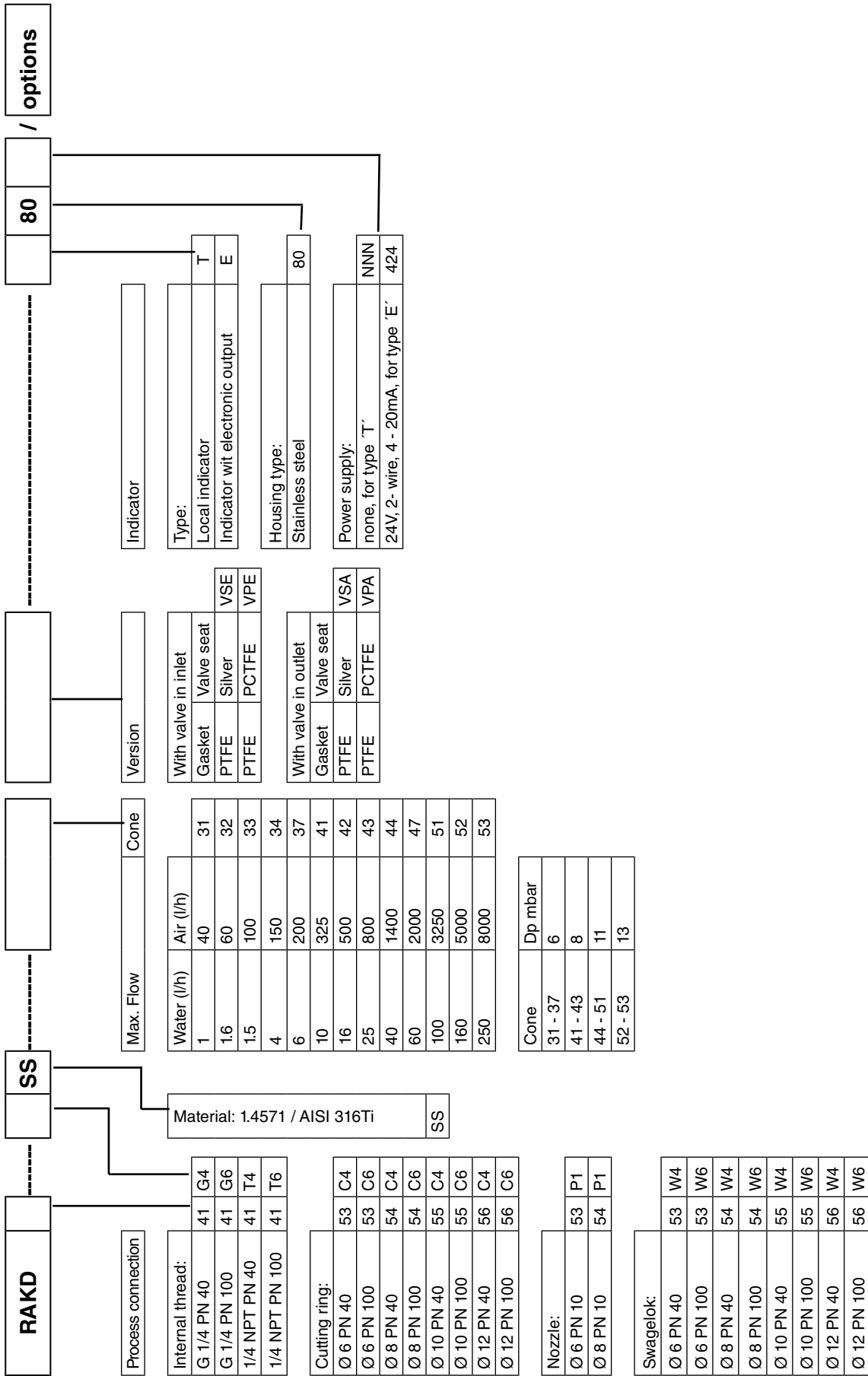
7. Technical Data

7.1 RAKD Type-, Suffix-codes and Options

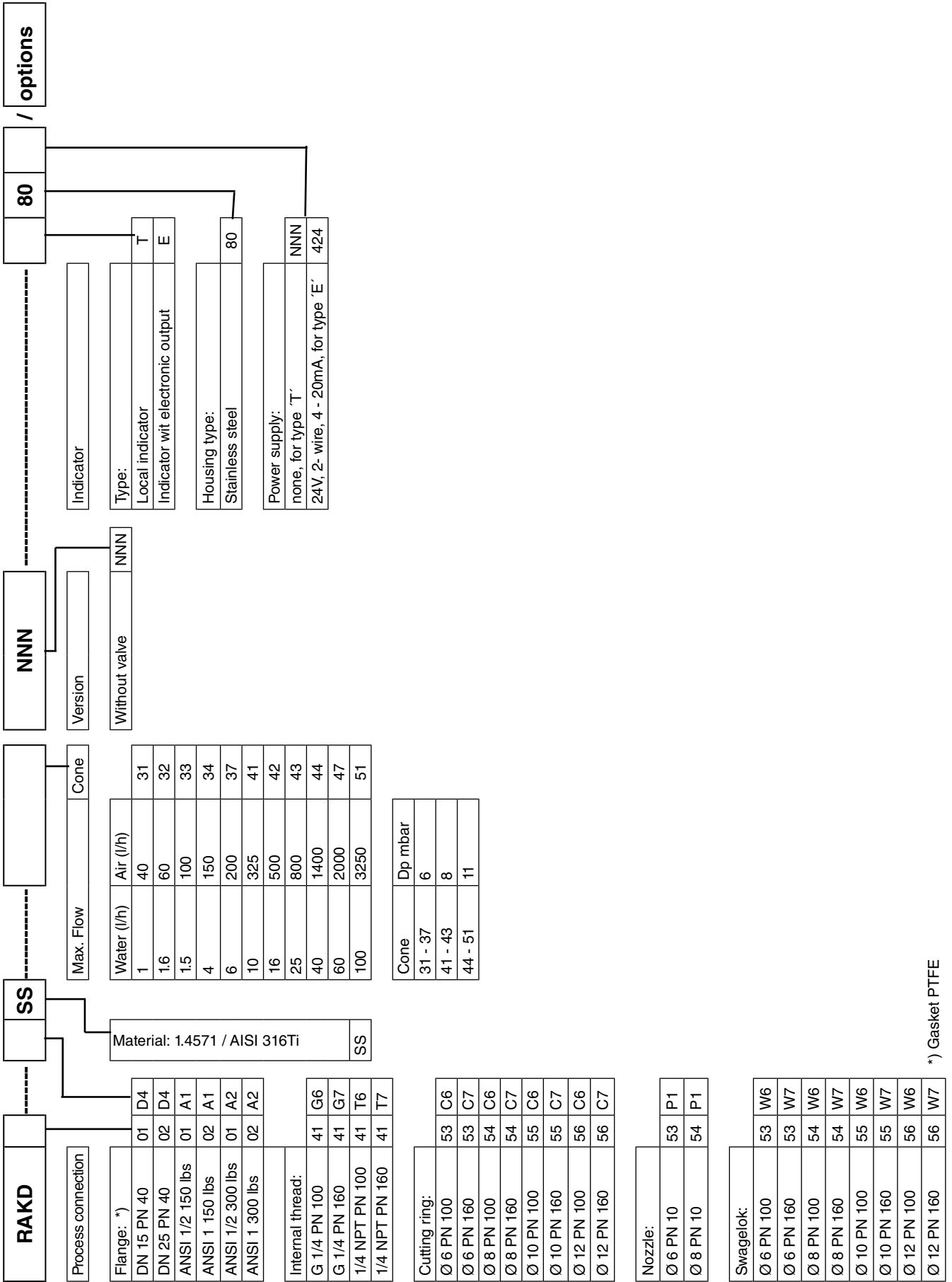
RAKD with valve and controller (option /R1 and /R3) 1.0 - 100 l/h water / 40 - 3250 l/h air



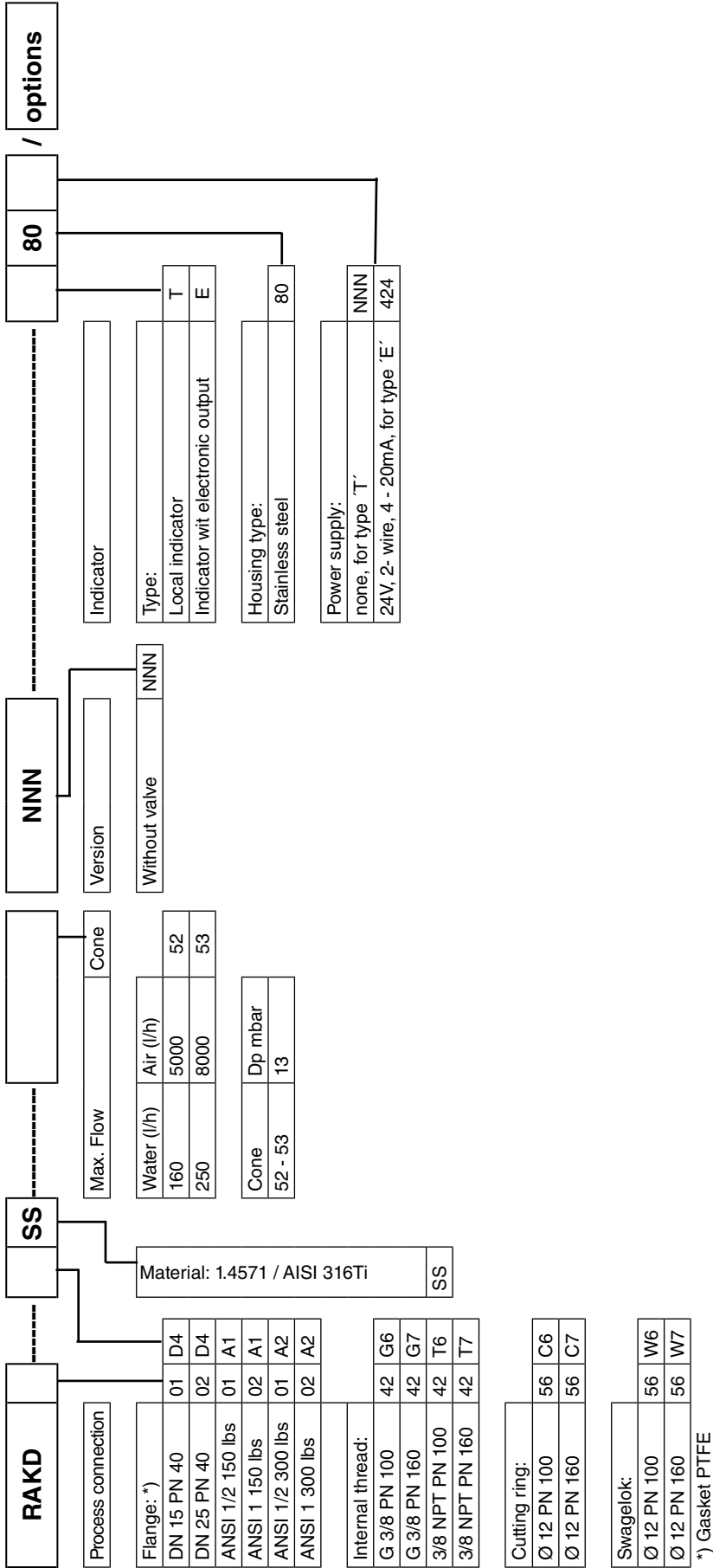
RAKD with valve 1.0 - 250 l/h water / 40 - 8000 l/h air



RAKD without valve 1.0 - 100 l/h water / 40 - 3250 l/h air



RAKD without valve 160 - 250 l/h water / 5000 - 8000 l/h air



OPTIONS

Options	Option code	Description	Restriction
Indicator	/A12 /A29 /A30	US- engineering units M12- connector acc. IEC 61076-2-101 M12- connector with plug connector acc. IEC 61076-2-101	Only for indicator E Only for indicator E or T with limit switches Only for indicator E or T with limit switches
Marking	/B1 /B4 /B8 /B10 /BG /BD	Tag plate (SS) fixed by wire and customer specified tag number on scale Neutral version Customer provided marking on label Percent scale With customer specified tag number on scale Dual Scale	Plate 12 x 40 mm; max. 45 digits Not with Ex-proof type Max. 45 digits Adjustment only possible for 1 fluid
Limit switches	/K1 /K2 /K3 /K6 /K7 /K8	MIN- contact MAX- contact MIN-MAX- contact, MIN-MIN- contact, MAX-MAX- contact MIN- contact "Fail safe" version MAX- contact "Fail safe" version MIN-MAX- contact "Fail safe" version	Only for indicator T Only for indicator T
Pulse output	/CP	Pulse output, acc. EN 60947-5-6 (NAMUR)	Only for indicator E; not with limit switches
Hazardous area approvals	/KS1 /KS2 /KS3 /ES1 /ES3 /FS1 /NS1 /GS1 /US1 /KC1 /GC1	ATEX intrinsically safe „ia“ ATEX gas and dust proof limit switches, category 2G 1D ATEX intrinsically safe „ic“ IECEX intrinsically safe „ia“ IECEX intrinsically safe „ic“ FM intrinsically safe / non incendive limit switches (USA) NEPSI approval (China) EAC intrinsically safe „ia“ INMETRO intrinsically safe „ia“ ATEX non- electrical type EAC non- electrical type	Not for indicator T without limit switches Only for indicator T with limit switches Not for indicator T without limit switches Not for indicator T without limit switches For indicator T only with limit switches Not for indicator T without limit switches; only with / CN Not for indicator T without limit switches; only with /VE Not for indicator T without limit switches Only for indicator T without limit switches Only for indicator T without limit switches
Test and certificates	/H1 /PP /P2 /P3 /P6 /PM1 /PM4 /PM5	Oil + fat free for wetted surfaces Pressure test report measuring system Certificate of Compliance with the order acc. to EN 10204: 2004- 2.1 As /P2 +Test report acc. to EN 10204: 2004- 2.2 Material certificate acc. to EN 10204: 2004- 3.1 PAMI test (1 test point : metering tube) PAMI test (4 test points : metering tube, connection heads, sealing plug) PAMI test (5 test points : metering tube, connection pieces, slip on flanges)	Not for /R1 and /R3 Only for tube, connection heads, screw sealing plug Only for models without valve Only for models with valve Only for models with process connection D4, A1, A2
Gost approval	/QR2 /QR3	Primary Calibration and Test Confirmation valid in Kazakhstan Primary Calibration and Test Confirmation valid in Uzbekistan	See page 4 only with /VE See page 4
Controller	/R1 /R3	Pre pressure controller 1.4571 (only with valve in inlet; for gas with variable pre pressure and liquids with variable pre and back pressure) Back pressure controller 1.4571 (only with valve in outlet; for gas with variable back pressure)	Only for process connection R3, T3, C3, W3, P1; only with valve Only for process connection R3, T3, C3, W3, P1; only with valve
Delivery to Korea	/KC	With KC-mark for Korea	Not with /VE or /CN
Eurasian Conformity	/VE	With EAC- mark	Not with /KC or /CN
Delivery to China	/CN	For delivery to China	Not with /VE or /KC
Power supply for electronic transmitter	/UT	RN221N-B1, 20 ... 250V DC/AC, Ex i	Only for indicator E
Power supply for limit switches (transmitter relay)	/W1A /W1B /W2A /W2B /W2E /W2F /W4A /W4B /W4E /W4F	KFA5-SR2-Ex1.W / 115 V AC, 1 channel KFA5-SR2-Ex2.W / 115 V AC, 2 channel KFA6-SR2-Ex1.W / 230 V AC, 1 channel KFA6-SR2-Ex2.W / 230 V AC, 2 channel KHA6-SH-Ex1 / 115/230 V AC, 1 channel, Fail Safe 2x KHA6-SH-Ex1 / 115/230 V AC, 1 channel, Fail Safe KFD2-SR2-Ex1.W / 24 V DC, 1 channel KFD2-SR2-Ex2.W / 24 V DC, 2 channel KFD2-SH-Ex1 / 24 V DC, 1 channel, Fail Safe 2x KFD2-SH-Ex1 / 24 V DC, 1 channel, Fail Safe	Only for limit switches /K1, /K2, /K3 or /CP Only for limit switches /K1, /K2, /K3 Only for limit switches /K1, /K2, /K3 or /CP Only for limit switches /K1, /K2, /K3 Only for limit switches /K6, /K7 Only for limit switches /K8 Only for limit switches /K1, /K2, /K3 or /CP Only for limit switches /K1, /K2, /K3 Only for limit switches /K6, /K7 Only for limit switches /K8
Instruction manuals	/IE n /ID n	Quantity of instruction manuals in English Quantity of instruction manuals in German	n = 1 to 9 selectable *) n = 1 to 9 selectable *)
Special order	/Z	Special design, must be specified separately. If /Z is selected, several Suffix of Model-Suffix Code can be changed to Z.	

*) if no instruction manual is selected, only a DVD with instruction manuals is shipped with the flowmeter

7.2 Standard Specifications

The responsibility with respect to the suitability and according application of our flowmeter is only situated by the customer.

RoHS Directive 2011/65/EU:

RoHS conform according to EN 50581

MEASURING TUBE

Materials of wetted parts	: Stainless steel AISI 316Ti (1.4571) other materials on request
Fluids to be measured	: Liquid or gas
Measuring range	: see flow table
Measuring range ratio	: 10:1
Process connections	
• Inner thread	: G1/4"; 1/4" NPT; G 3/8"; 3/8" NPT
• Cutting ring	: 6 mm; 8 mm; 10 mm; 12 mm
• Cutting ring (Swagelok)	: 6 mm; 8 mm; 10 mm; 12 mm
• Nozzle	: 6 mm; 8 mm
• Flange (wetted)	: • acc. EN 1092-1 DN15 and DN25 PN40; • acc. ASME B 16.5 1/2" and 1" 150 lbs, 300 lbs • Stainless steel AISI 316Ti - gasket PTFE
Process pressure	: depends on process connection; see model code
Viscosity limit	: 6 mPas
Process temperature	: without valve -25 °C – 250 °C with valve -25 °C – 150 °C See also fig. 6. Lower temperatures on request.
Measurement accuracy	: acc. Directive VDI/VDE 3513 sheet 2 ($q_G=50$ %) 4 %
Installation	
• Installation position	: vertical
• Flow direction	: upwards
• Face to face length	: 125 mm (with flange 250 mm)
Weight	: see table 14

LOCAL INDICATOR

(Indicator/Code -T)

Principle

The indication is made by magnetic coupling of a magnet enclosed in the float and a magnet in the indication unit, which follows the movements of the float.

Indication scale : Flow units

Indicator housing

• Material	: Stainless steel AISI 304 (1.4301)
• Degree of Protection	: IP66/67

Scales

- Standard : removable aluminium plate with scale (double scale as option)

Transportation and storage condition

: - 40 °C – +110 °C

ELECTRONIC TRANSMITTER

(Indicator/Code -E)

Temperature range

: -25 °C – +65 °C

Transportation and storage condition

: -40 °C – +70 °C

Process-/ Ambient temperature

The dependency of the process temperature from the ambient temperature is shown in fig.6.

Power supply : 14 – 30 V DC

Load resistance : (U - 14 V) / 20 mA, max. 500 Ω

Analog output : 4-20 mA

Linearity : $\leq \pm 0.25$ % f.s.

Hysteresis : $\leq \pm 0.15$ % f.s.

Repeatability : $\leq \pm 0.16$ % f.s.

Influence of power supply

: $\leq \pm 0.1$ % f.s.

Temp. coefficient of analog output

: $\leq \pm 0.5$ % / 10 K f.s.

AC-part of analog output

: $\leq \pm 0.15$ % f.s.

Long time stability : $\leq \pm 0.2$ % / year

Maximum output current

: 21.5 mA

Output current in case of failure

: ≤ 3.6 mA (NAMUR NE 43)

Response time (99 %)

: approx. 1 s

Pulse output (Option /CP)

: Electronic switch with galvanic isolation

acc. EN 60947-5-6 (NAMUR)

• Pulse length : 200 ms

• Max. frequency : 4 Hz

• Pulse rate : $Q_{max} \leq 1 \rightarrow 0.0001$

: $1 < Q_{max} \leq 10 \rightarrow 0.001$ etc.

e.g.. $Q_{max} = 1$ m³/h \rightarrow

1 Puls = 0.0001 m³ = 0.1 l

Electromagnetic compatibility (EMC)

• EN 61326-1: Class A, Table 2

EN 61326-2-3

POWER SUPPLY FOR ELECTRONIC TRANSMITTER

(Option /UT)

Type:

Power supply with galvanically separated input and output

• RN221N-B1, HART- compatible

Supply voltage:

20 – 250 V DC / AC 50/60 Hz

Maximum load : 700 Ω

Output signal : 4 - 20 mA

ELECTRICAL CONNECTION (Indicator/Code -E) :

Type : Quickon

M12 (option /A29, /A30)

Cable diameter : 4 – 6 mm

Maximum cross section of core

: $\varnothing 0.34 - 0.75$ mm²

LIMIT SWITCHES IN STANDARD VERSION

(option /K1 – /K3)

Type : Inductive proximity switch SC2-NO
acc. DIN EN 60947-5-6

Nominal voltage : 8V DC

Output signal : ≤ 1 mA or ≥ 3 mA

Hysteresis : < 0.5 mm

LIMIT SWITCHES IN FAIL SAFE VERSION

(option /K6 – /K8)

Type : Inductive proximity switch
SJ2-SN acc. DIN EN 60947-5-6

Nominal voltage : 8 V DC

Output signal : ≤ 1 mA or ≥ 3 mA

Hysteresis : < 0.5 mm

HYSTERESIS OF LIMIT SWITCHES**Min-contact / Max-contact :**

- pointer movement : ≈ 0.8 mm
- float movement : ≈ 0.8 mm

Minimum distance between 2 contacts: ≈ 8 mm**ELECTRICAL CONNECTION (option /K1 – /K8):**

Type : Quickon
M12 (option /A29, /A30)

Cable diameter : 4 – 6 mm**Maximum cross section of core**: $\varnothing 0.34 - 0.75$ mm²**POWER SUPPLY FOR LIMIT SWITCHES (Option /W0□□)**

Type : Transmitter relay
acc. DIN EN 50227 (NAMUR)

- KFA6-SR2-Ex1-W (230 V AC)
- KFA5-SR2-Ex1-W (115 V AC)
- KFD2-SR2-Ex1-W (24 V DC)
- KHA6-SH-Ex1 (115/230 V AC),
- Fail Safe, only one channel
- KFD2-SH-Ex1 (24 V DC),
- Fail Safe, only one channel

Power supply : • 230 V AC ± 10 %, 45-65 Hz
• 115 V AC ± 10 %, 45-65 Hz
• 24 V DC ± 25 %

Relay output : 1 or 2 potential-free change over contact(s)

Switching capacity

: max. 250 V AC, max. 2 A

Note:

If Fail-Safe limit switch option /K6 or /K7 is ordered, for power supply option /W2E or /W4E must be selected.

If Fail-Safe limit switch option /K8 is ordered, for power supply option /W2F or /W4F must be selected.

SWITCHING LEVELS FOR LIMIT SWITCHES**Table 1 Min, Max and Min-Max-contact in standard version**

		Option /K1	Option /K2	Option /K3
Function	Pointer	Signal	Signal	Signal
		SC2-N0	SC2-N0	SC2-N0
MAX	above LV	----	1 mA	1 mA
	below LV	----	3 mA	3 mA
Function	Pointer	Signal	Signal	Signal
		SC2-N0	SC2-N0	SC2-N0
MIN	above LV	3 mA	----	3 mA
	below LV	1 mA	----	1 mA

Note: LV = Limit value

Table 2 Min, Max and Min-Max-contact in fail-safe version

		Option /K6	Option /K7	Option /K8
Function	Pointer	Signal	Signal	Signal
		SJ2-SN	SJ2-SN	SJ2-SN
MAX	above LV	----	1 mA	1 mA
	below LV	----	3 mA	3 mA
	Fail Safe	----	1 mA	1 mA
Function	Pointer	Signal	Signal	Signal
		SJ2-SN	SJ2-SN	SJ2-SN
MIN	above LV	3 mA	----	3 mA
	below LV	1 mA	----	1 mA
	Fail Safe	1 mA	----	1 mA

Note: LV = Limit value

CONTROLLER (Option /R1 and R3)

Differential pressure controller for a constant flow at fluctuations of the process pressure.

These are no valves to reduce the pressure.

- **Controller /R1** for liquids with variable inlet or outlet pressure and for gases with variable inlet pressure and constant back pressure.
- **Controller /R3** for gases with fluctuations of the back pressure.

Max. liquid flow : 100 l/h

Max. gas flow : 3250 l/h

Max. pressure : 25 bar

Recommended differential pressure

: >400 mbar

Temperature range : -25 °C – +80 °C

Materials:

Table 5

	Housing	Diaphragm	Springs
/R1 //R3	CrNi-Steel	PTFE	CrNi-Steel

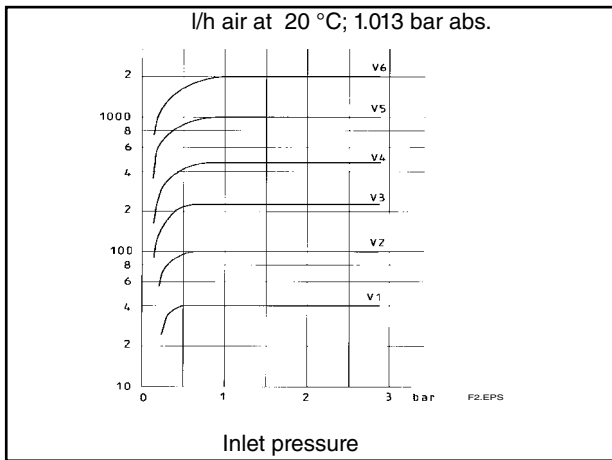


Fig. 2 Diagram controller characteristic

FOLLOWING IEC 61508

RAKD with local indicator and standard or fail safe limit switches (RAKD□□-□□SS-□□□□□□-T□□NNN/K1 – K8):

Suitable for application in safety functions up to and including SIL1.

RAKD with valve and controller with local indicator and standard or fail safe limit switches

(RAKD□□-□□SS-□□V□□-T□□NNN/R□/K1 – K8):

Suitable for application in safety functions up to and including SIL1.

Details see FMEDA report.

FOLLOWING ISO 13849-1

Safety Metrics available for:

RAKD with local indicator and standard or fail safe limit switches (RAKD□□-□□SS-□□□□□□-T□□NNN/K1 – K8)

RAKD with valve and controller with local indicator and standard or fail safe limit switches

(RAKD□□-□□SS-□□V□□-T□□NNN/R□/K1 – K8)

Details see FMEDA report.

METROLOGICAL REGULATION IN CIS AND EAC COUNTRIES

Russia, Kazakhstan, Uzbekistan, Belorussia and Turkmenistan are members of CIS.

RAKD has “Pattern Approval Certificate of Measuring Instruments” and is registered as a measuring instrument in Russia, Kazakhstan, Uzbekistan, Belorussia and Turkmenistan.

Option /QR2 is for Kazakhstan.

Option /QR3 is for Uzbekistan.

For the Ukraine the test certificate of Rota Yokogawa is sufficient. Therefore no special option exists.

Russia, Kazakhstan and Belorussia are covered by EAC.

For export to CIS and EAC countries please contact your Yokogawa representative.

HAZARDOUS AREA SPECIFICATIONS**RAKD with ATEX- certification “intrinsic safe ia” (option /KS1)****Certificate:**

KEMA 00ATEX 1037X

Output signal:

4 – 20 mA / Pulse output / Limit switches

Explosion proof :

Ex ia IIC T6...T4 Gb; group II; category 2G

Entity parameter:

Table 6

	Analog output	Pulse output	Limit switch type 2 /K1 – /K3	Limit switch type 3 /K1 – /K3	Limit switch type 2 /K6 – /K8	Limit switch type 3 /K6 – /K8
Ui [V]	30	16	16	16	16	16
Ii [mA]	100	20	25	52	25	52
Pi [mW]	750	64	64	169	64	169
Li [mH]	0.73	0	0.15	0.15	0.1	0.1
Ci [nF]	2.4	0	150	150	30	30

Temperature specification:

Table 7

Configura-tion	Max. ambient temperature	Max. process tem-perature	Temperature class
Transmitter 4 – 20 mA / Pulse	65 °C	65 °C	T6
	50 °C	80 °C	
	45 °C	100 °C	T5
	38 °C	135 °C	T4
Limit switch(es) type 2	65 °C	65 °C	T6
	80 °C	80 °C	T5
	59 °C	100 °C	
	100 °C	100 °C	T4
Limit switch(es) type 3	73 °C	135 °C	T4
	24 °C	65 °C	
	37 °C	80 °C	T5
	34 °C	100 °C	
	57 °C	80 °C	T4
54 °C	100 °C		
48 °C	135 °C		

For the configuration where a transmitter is combined with limit switches, the temperature class is determined by the most restrictive combinations of maximum ambient temperature and maximum process temperature.

Description of limit switch type 2 and 3 see ATEX certificates from Pepperl & Fuchs:

- PTB 99 ATEX 2219X (SC2-NO) for /K1 – /K3
- PTB 00 ATEX 2049X (SJ2-SN) for /K6 – /K8

RAKD with ATEX- certification “intrinsic safe ic” (option /KS3)**Output signal:**

4 – 20 mA / Pulse output / Limit switches

Explosion proof:

Ex ic IIC T6...T4 Gc; group II ; category 3G

Entity parameter:

see table 6

Temperature specification:

see table 7

RAKD with IECEx- certification “intrinsic safe” (option /ES1)**Certificate:**

IECEx DEK 12.0003X

Output signal:

4 – 20 mA / Pulse output / Limit switches

Explosion proof:

Ex ia IIC T6...T4 Gb

Entity parameter:

Table 8

	Analog output	Pulse output	Limit switch type 2 /K1 – /K3	Limit switch type 3 /K1 – /K3	Limit switch type 2 /K6 – /K8	Limit switch type 3 /K6 – /K8
Ui [V]	30	16	16	16	16	16
Ii [mA]	100	20	25	52	25	52
Pi [mW]	750	64	64	169	64	169
Li [mH]	0.73	0	0.15	0.15	0.1	0.1
Ci [nF]	2.4	0	150	150	30	30

Temperature specification:

Table 9

Configura-tion	Max. ambient temperature	Max. process tem-perature	Temperature class
Transmitter 4 – 20 mA / Pulse	65 °C	65 °C	T6
	50 °C	80 °C	
	45 °C	100 °C	T5
	38 °C	135 °C	T4
Limit switch(es) type 2	65 °C	65 °C	T6
	80 °C	80 °C	T5
	59 °C	100 °C	
	100 °C	100 °C	T4
Limit switch(es) type 3	73 °C	135 °C	T4
	24 °C	65 °C	
	37 °C	80 °C	T5
	34 °C	100 °C	
	57 °C	80 °C	T4
54 °C	100 °C		
48 °C	135 °C		

For the configuration where a transmitter is combined with limit switches, the temperature class is determined by the most restrictive combinations of maximum ambient temperature and maximum process temperature.

Description of limit switch type 2 and 3 see IECEx certificates from Pepperl & Fuchs:

- IECEx PTB 11.0091X (SC2-NO) for /K1 – /K3
- IECEx PTB 11.0092X (SJ2-SN) for /K6 – /K8

RAKD with IECEx- certification “intrinsic safe ic”

(option /ES3)

Output signal:

4 – 20 mA / Pulse output / Limit switches

Explosion proof:

Ex ic IIC T6...T4 Gc

Entity parameter:

see table 8

Temperature specification:

see table 9

RAKD with NEPSI- certification “intrinsic safe” (China) (option /NS1)

Certificate:

GYJ15.1065

Output signal:

4 – 20 mA / Pulse output / Limit switches

Explosion proof:

Ex ia IIC T5/T6

Max. Tamb.:

65 °C

Limit switches:

option /K1 – /K8

Entity parameter:

Table 10

	Analog output	Pulse output	Limit switch type 2 /K1 – /K3	Limit switch type 3 /K1 – /K3	Limit switch type 2 /K6 – /K8	Limit switch type 3 /K6 – /K8
Ui [V]	30	16	16	16	16	16
Ii [mA]	100	20	25	52	25	52
Pi [mW]	750	64	64	169	64	169
Li [mH]	0.73	0	0.15	0.15	0.1	0.1
Ci [nF]	2.4	0	150	150	30	30

Temperature specification:

Table 11

Max. ambient temperature	Max. process temperature	Temperature class
65 °C	65 °C	T6
50 °C	80 °C	T6
45 °C	95 °C	T5

RAKD with PESO- certification (India)

Option /KS1 must be selected. PESO- certificate is available at your Yokogawa Sales Office.

RAKD with KOSHA- certification (Korea)

Option /ES1 must be selected.

Same data as for IECEx certification.

RAKD with EAC- certification “intrinsic safe” (Russia, Belorussia, Kazakhstan) (option /GS1)

Certificate:

RU C-DE.ГБ08.B.01183

Output signal:

4 – 20 mA / Pulse output / Limit switches

Explosion proof:

0ExiaIIC T6 X

Entity parameter:

Table 12

	Analog output	Pulse output	Limit switch type 2 /K1 – /K3	Limit switch type 3 /K1 – /K3
Ui [V]	30	16	16	16
Ii [mA]	100	20	25	52
Pi [mW]	750	64	64	169
Li [mH]	0.73	0	0.15	0.15
Ci [nF]	2.4	0	150	150

Temperature specification:

Table 13

Configura-tion	Max. ambient temperature	Max. process temperature	Temperature class
Indicator “E” + limit switches type “2”	65 °C	65 °C	T6
	50 °C	80 °C	
	45 °C	100 °C	T5
	38 °C	135 °C	T4
Indicator “T” with limit switches type “2”	65 °C	65 °C	T6
	80 °C	80 °C	T5
	59 °C	100 °C	
	100 °C	100 °C	T4
73 °C	135 °C		
Indicator “T” with limit switches type “3”	24 °C	65 °C	T6
	37 °C	80 °C	T5
	34 °C	100 °C	
	57 °C	80 °C	T4
	54 °C	100 °C	
48 °C	135 °C		

RAKD with INMETRO- certification “intrinsic safe” (Brazil) (option /US1)

Certificate:

DEKRA 15.0005 X

Data same as IECEx type with option /ES1.

Intrinsically safe RAKD with Taiwan Safety Mark:

Registration Document:

ML041200703XN3

Option /ES1 must be selected.

Same data as IECEx-certified type (/ES1)

For export to Taiwan please contact your Yokogawa representative regarding Taiwan Safety Mark.

Intrinsically safe and dust proof limit switches with ATEX-certification (only for indicator T with option /K1 – /K8) (option /KS2)

Certificate:

- PTB 99 ATEX 2219X (SC2-NO)
- PTB 00 ATEX 2049X (SJ 2-S.N)

Explosion proof:

Ex ia IIC T6...T1 Gb, II 2G
 Ex ia IIIC T135 °C Da, II 1D
 Ex ib IIIC T135 °C Db, II 2D

Entity parameter:

see certificate of conformity

Intrinsically safe / non incendive limit switches with FM- certification (USA) (only for indicator T with option /K1 – /K8) (option /FS1)

Explosion proof:

IS : Cl. I, Div. 1, Gp. ABCD, T6, Ta = 60 °C,
 NI : Cl. I, Div. 2, Gp. ABCD, T5, Ta = 50 °C
 Cl. II, Div. 1, Gp. EFG
 Cl. III, Div. 1

Entity parameter:

see FM-control drawing 116-0165 for IS
 see FM-control drawing 116-0155 for NI

ATEX registered RAKD not electrical type (option /KC1)

Archive no.:

IBExU 137/15_E1

Explosion proof:

II 2GD IIC TX

Max. surface temperature:

TX: corresponding process temperature

Ambient temperature:

-25 °C – 80 °C

Max. process temperature:

without valve: 250 °C
 with valve: 150 °C

RAKD with EAC- certification for not electrical type (option /GC1)

Certificate:

RU C-DE.ГБ08.B.01183

Explosion proof:

II Gb IIC T* X
 III Db IIIC T* °C X

Max. surface temperature:

T* : corresponding process temperature

Ambient temperature :

-25 °C – 80 °C

Max. process temperature:

without valve: 250 °C
 with valve: 150 °C

Power Supply for the intrinsically safe electronic transmitter (option /UT)

Type:

Power supply with galvanically separated input and output
 • RN221N-B1, HART- compatible

Certificate :

ATEX: PTB00ATEX 2018
 IECEx: PTB06.0089
 FM: 3007835, Control Drawing 02 02 00 111
 CSA: 1067708, Control Drawing 02 02 00 112
 EAC: RU C-DE.ГБ05.B.00213

Supply voltage:

20 – 250 V DC / AC 50/60 Hz

Maximum load impedance :

700 Ω

Output signal:

4 – 20 mA

Control circuit:

Intrinsically safe [Ex ia] IIC; group II ; category (1)GD

Entity parameters:

see fig. 5

Power supply for intrinsically safe limit switches (option W□□)

Type:

acc. DIN EN 50227 (NAMUR)

- KFA5-SR2-Ex*-W (115 V AC)
- KFA6-SR2-Ex*-W (230 V AC)
- KFD2-SR2-Ex*-W (24 V DC)
- KHA6-SH-Ex1 (115/230 V AC), Fail Safe, 1 channel
- KFD2-SH-Ex1 (24 V DC), Fail Safe, 1 channel

Certificates:

- | | | |
|-------------------|-------|-------------------------|
| • KFA5-SR2-Ex*-W: | ATEX | : PTB 00 ATEX 2081 |
| | CSA | : 1029981 (LR 36087-19) |
| | FM | : ID 3011578 |
| | IECEX | : PTB11.0031 |
| | PESO | : P333188/1 |
| | KOSHA | : 2009-BO-0157 |
| | NEPSI | : GYJ12.1079 |
| | EAC | : RU C-П.ГБ05.B.00718 |
| • KFA6-SR2-Ex*-W: | ATEX | : PTB 00 ATEX 2081 |
| | CSA | : 1029981 (LR 36087-19) |
| | FM | : ID 3011578 |
| | IECEX | : PTB11.0031 |
| | PESO | : P333188/1 |
| | KOSHA | : 2009-BO-0157 |
| | NEPSI | : GYJ12.1079 |
| | EAC | : RU C-П.ГБ05.B.00718 |
| • KHA6-SH-Ex1: | ATEX | : PTB 00 ATEX 2043 |
| | EAC | : RU C-П.ГБ05.B.00718 |
| • KFD2-SR2-Ex*-W: | ATEX | : PTB 00 ATEX 2080 |
| | CSA | : 1029981 (LR 36087-19) |
| | FM | : ID 3011578 |
| | IECEX | : PTB11.0034 |
| | PESO | : P333188/2 |
| | KOSHA | : 2009-BO-0157 |
| | NEPSI | : GYJ12.1081 |
| | EAC | : RU C-П.ГБ05.B.00718 |
| • KFD2-SH-Ex1: | ATEX | : PTB 00 ATEX 2042 |
| | EAC | : RU C-П.ГБ05.B.00718 |

Control circuit (ATEX): [Ex ia] IIC; group II; category (1)GD

Entity parameter: see fig. 5 (ATEX) and certificate

Power supply :

- 230 V AC ± 10 %, 45-65 Hz
- 115 V AC ± 10 %, 45-65 Hz
- 24 V DC ± 25 %

Relay output : 1 or 2 potential-free changeover contact(s)

Switching capacity : max. 250 V AC, max. 2 A

7.3 Dimensions and weights

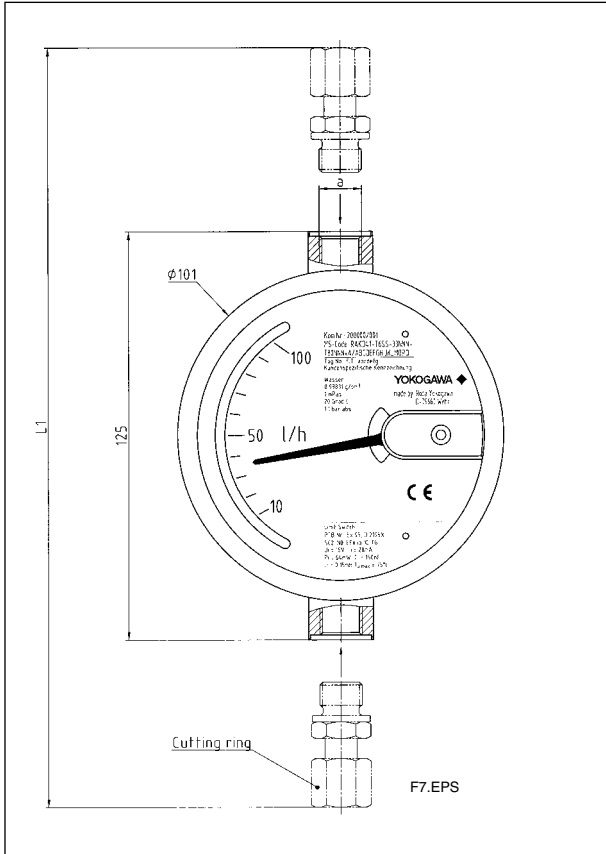


Fig. 7-2 Version without valve

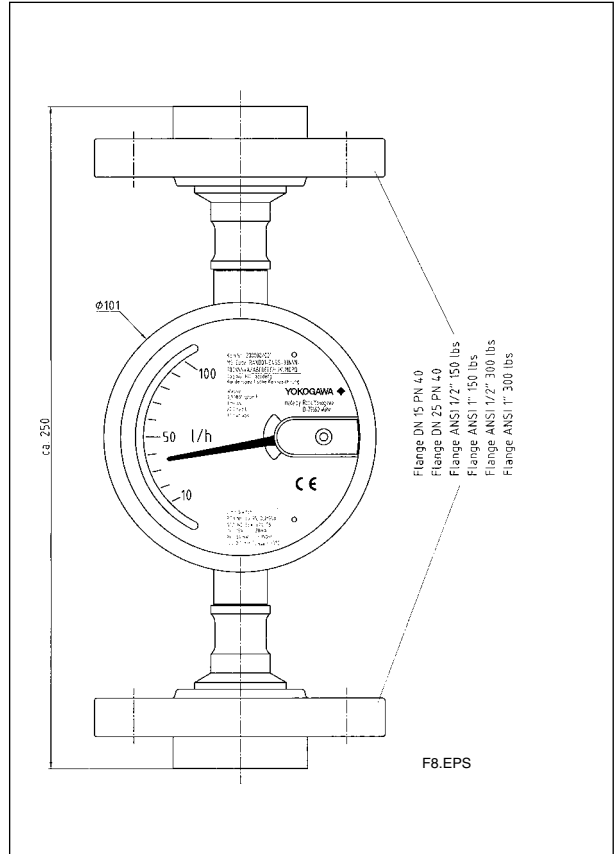


Fig. 7-3 Version with flange connection

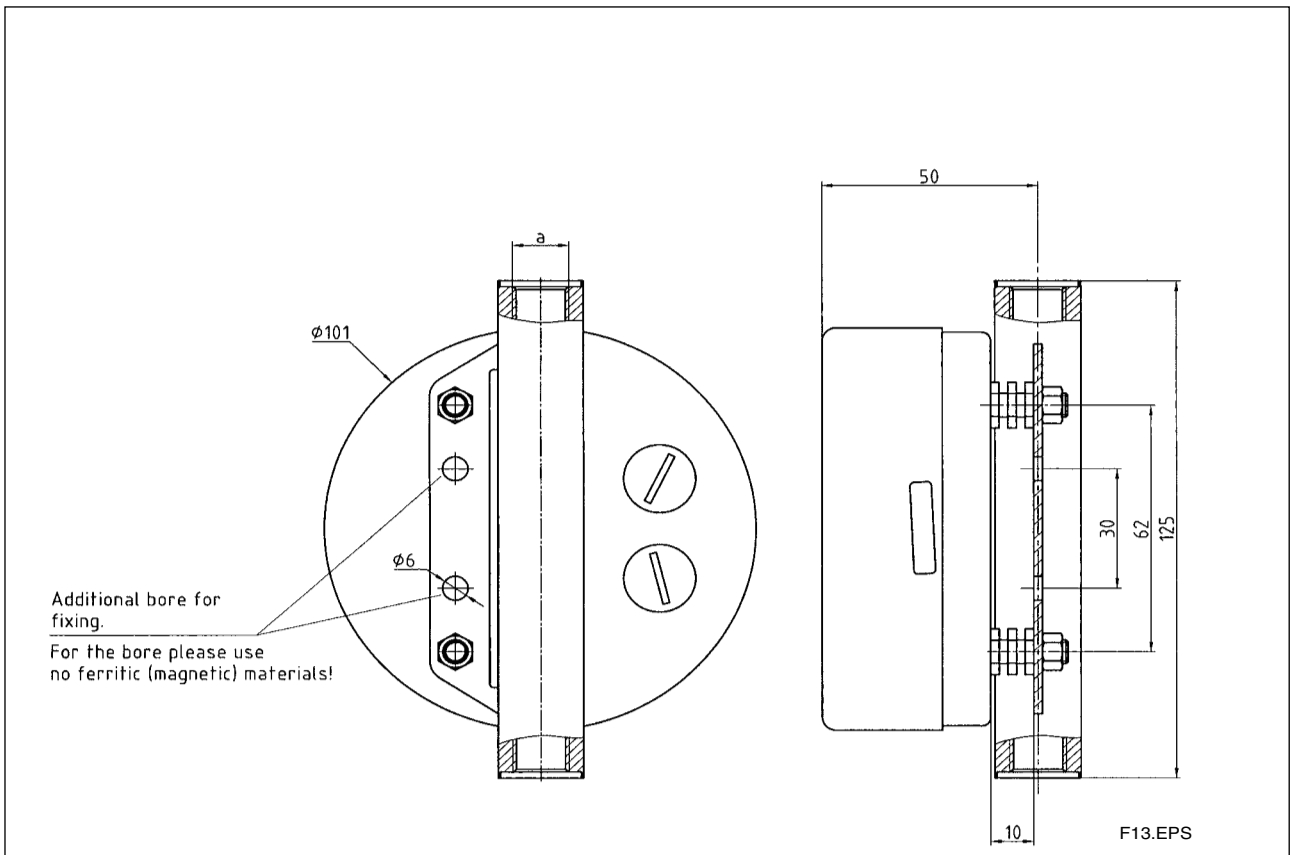


Fig. 7-4 Back view with mounting

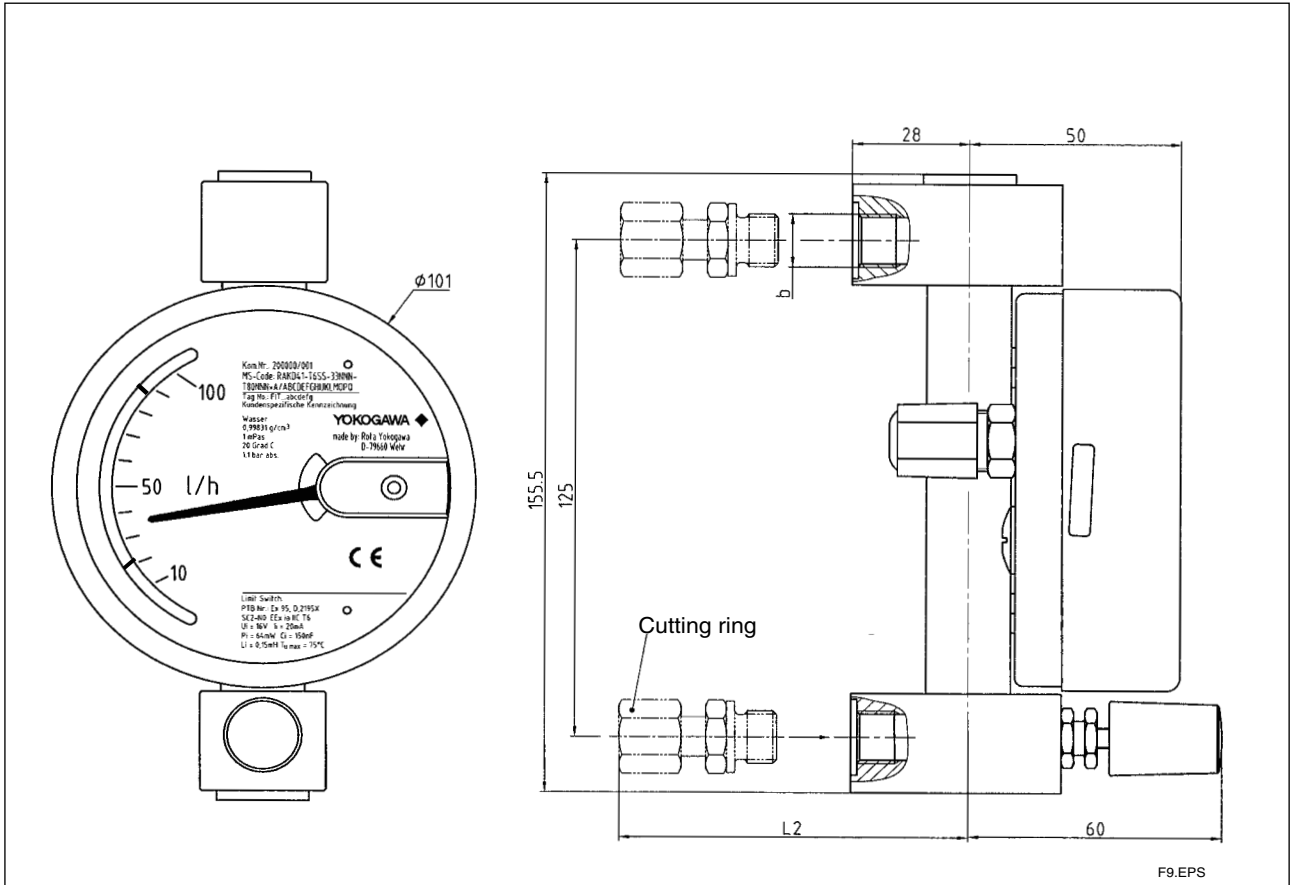


Fig. 7-5 Version with inlet valve

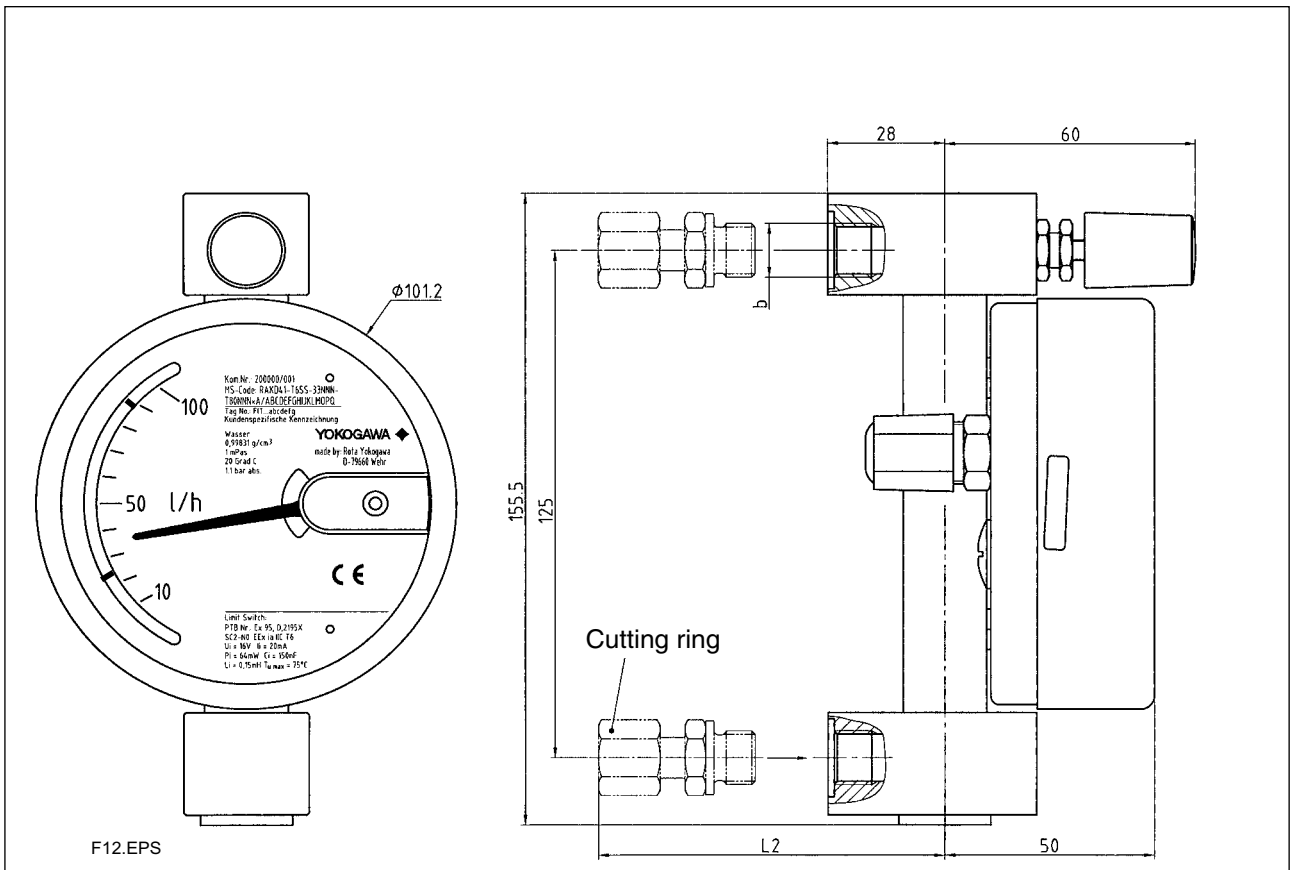


Fig. 7-6 Version with outlet valve

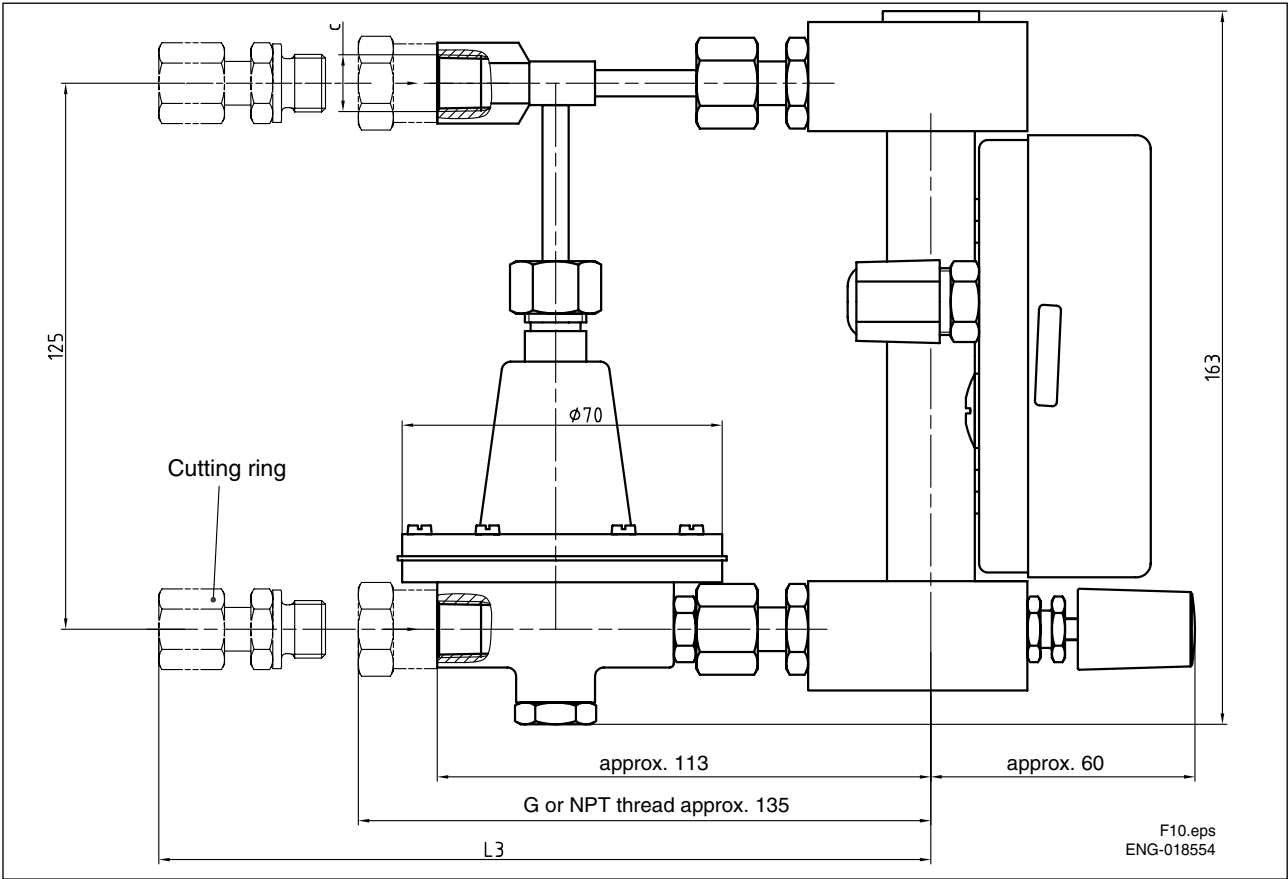


Fig. 7-7 Version with inlet valve and inlet controller

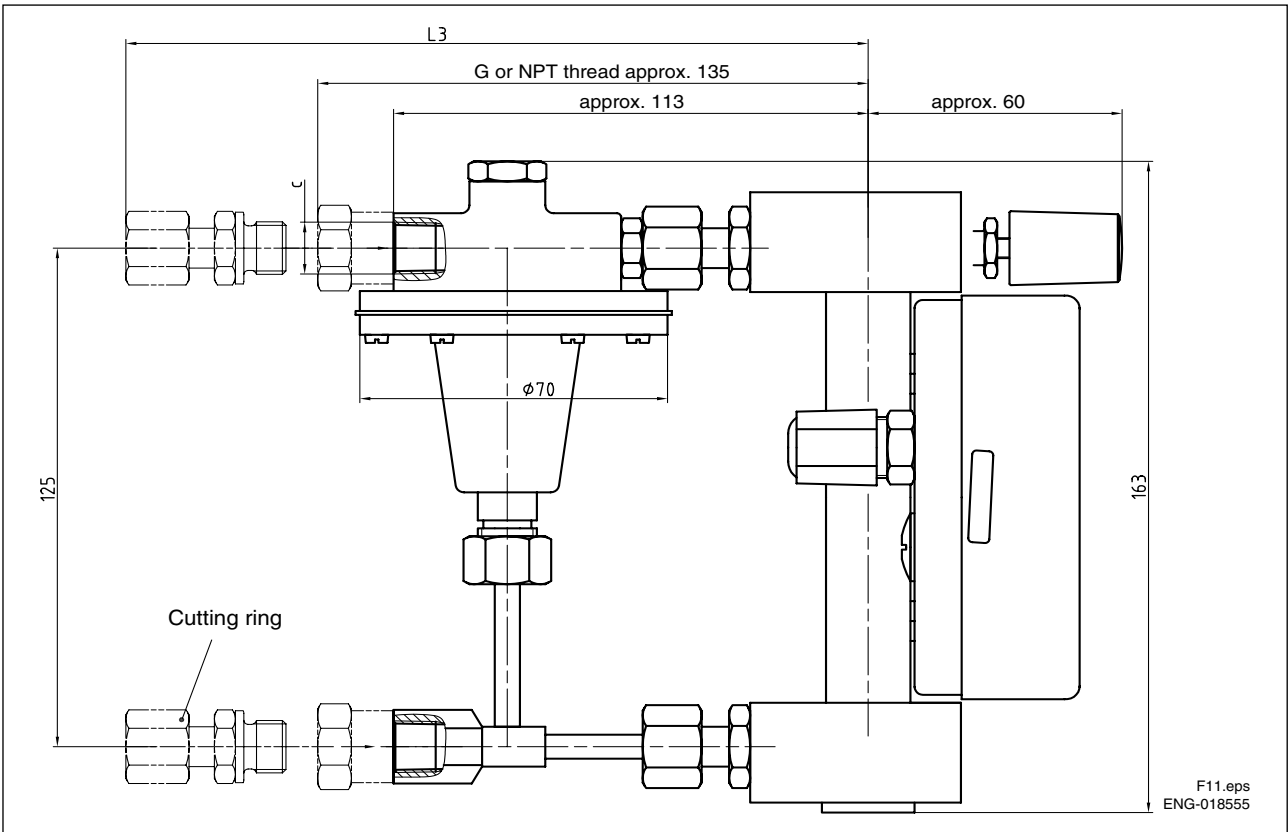


Fig. 7-8 Version with outlet valve and back pressure controller

CONNECTION TYPES

Table 12

Size	a		b	c
	Cone 31 – 51	Cone 52 – 53	Cone 31 – 53	Cone 31 – 51
Thread	G 1/4"	G 3/8"	G 1/4"	G 1/4"
	1/4" NPT	3/8" NPT	1/4" NPT	1/4" NPT

INSTALLATION LENGTHS DEPENDING ON CONNECTION TYPE AND SIZE

Table 13

		L1		L2	L3
Process connection	Size	Cone 31 – 51	Cone 52 – 53	Cone 31 – 53	Cone 31 – 51
Cutting ring	6 mm	178 mm	-----	54.5 mm	164 mm
	8 mm	172 mm	-----	51.5 mm	161 mm
	10 mm	174 mm	-----	52.5 mm	162 mm
	12 mm	174 mm	177 mm	52.5 mm	162 mm
Nozzle	6 mm	182 mm	-----	56.5 mm	166 mm
	8 mm	182 mm	-----	56.5 mm	166 mm

WEIGHTS

Table 14

	without valve	with valve	with controller
Weight	approx. 600 g	approx. 1000 g	approx. 1800 g

PLANNING HINTS

- The real working pressure has to be less than the specified pressure limit of the Rotameter.
- Make sure that the wetted material is resistant to the medium.
- Ambient and operation temperature has to be less than the specified maximum value.
- If dirt accumulation is to be expected we recommend to install a bypass pipe.
- To avoid float bouncing in case of gas application notice the recommendations of VDI/VDE 3513 Sheet 3.
- To avoid mutual magnetic influence in case of a parallel design of several Rotameters take care that the distance between the tube middle axes is not less than 120 mm. The distance to other ferric materials should not be less than 60 mm.
- The strength of external magnetic fields close by the Rotameter should be approximately 0 mT.

7.4 Temperature curves

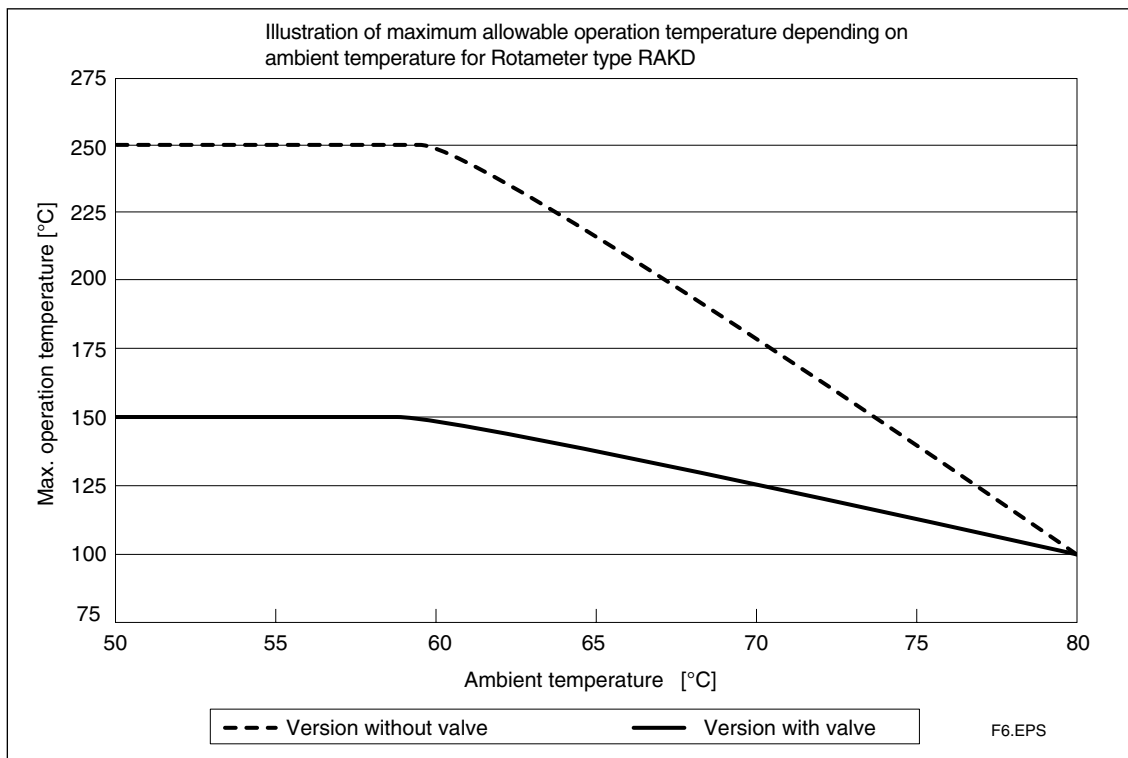


Fig. 7-9

For option /KS1 or /KN1 (Ex-i-versions ATEX) the maximum values for ambient and process temperature according to the respective temperature class mentioned in fig. 5 and table 7 must be considered.

For option /ES1 (Ex-i-versions IECEx) the maximum values for ambient and process temperature according to the respective temperature class mentioned table 9 must be considered.

For option /NS1 (Ex-i-version NEPSI) the maximum values for ambient and process temperature according to the respective

temperature class mentioned in table 11 must be considered.

The minimum ambient temperature is -25 °C. Lower temperatures on request.

Blank Page

8. Explosion-protected Type Instruments

This is only applicable to the countries in European Union.

- | | |
|--|---|
| <p>GB All instruction manuals for ATEX Ex related products are available in English, German and French. Should you require Ex related instructions in your local language, you are to contact your nearest Yokogawa office or representative.</p> | <p>SK Všetky návody na obsluhu pre prístroje s ATEX Ex sú k dispozícii v jazyku anglickom, nemeckom a francúzskom. V prípade potreby návodu pre Ex-prístroje vo Vašom národnom jazyku, skontaktujte prosím miestnu kanceláriu firmy Yokogawa.</p> |
| <p>DK Alle brugervejledninger for produkter relateret til ATEX Ex er tilgængelige på engelsk, tysk og fransk. Skulle De ønske yderligere oplysninger om håndtering af Ex produkter på eget sprog, kan De rette henvendelse herom til den nærmeste Yokogawa afdeling eller forhandler.</p> | <p>CZ Všechny uživatelské příručky pro výrobky, na něž se vztahuje nevybušné schválení ATEX Ex, jsou dostupné v angličtině, němčině a francouzštině. Požadujete-li pokyny týkající se výrobků s nevybušným schválením ve vašem lokálním jazyku, kontaktujte prosím vaši nejbližší reprezentační kancelář Yokogawa.</p> |
| <p>I Tutti i manuali operativi di prodotti ATEX contrassegnati con Ex sono disponibili in inglese, tedesco e francese. Se si desidera ricevere i manuali operativi di prodotti Ex in lingua locale, mettersi in contatto con l'ufficio Yokogawa più vicino o con un rappresentante.</p> | <p>LT Visos gaminių ATEX Ex kategorijos Eksploatavimo instrukcijos teikiami anglų, vokiečių ir prancūzų kalbomis. Norėdami gauti prietaisų Ex dokumentaciją kitomis kalbomis susisiekite su artimiausiu bendrovės "Yokogawa" biuru arba atstovu.</p> |
| <p>E Todos los manuales de instrucciones para los productos antiexplosivos de ATEX están disponibles en inglés, alemán y francés. Si desea solicitar las instrucciones de estos artículos antiexplosivos en su idioma local, deberá ponerse en contacto con la oficina o el representante de Yokogawa más cercano.</p> | <p>LV Visas ATEX Ex kategorijas izstrādājumu Lietošanas instrukcijas tiek piegādātas angļu, vācu un franču valodās. Ja vēlaties saņemt Ex ierīšu dokumentāciju citā valodā, Jums ir jāsazinās ar firmas Jokogava (Yokogawa) tuvāko ofisu vai pārstāvi.</p> |
| <p>NL Alle handleidingen voor producten die te maken hebben met ATEX explosiebeveiliging (Ex) zijn verkrijgbaar in het Engels, Duits en Frans. Neem, indien u aanwijzingen op het gebied van explosiebeveiliging nodig hebt in uw eigen taal, contact op met de dichtstbijzijnde vestiging van Yokogawa of met een vertegenwoordiger.</p> | <p>EST Kõik ATEX Ex toodete kasutamishendid on esitatud inglise, saksa ja prantsuse keeles. Ex seadmete muukeelse dokumentatsiooni saamiseks pöörduge lähima lokagava (Yokogawa) kontori või esindaja poole.</p> |
| <p>SF Kaikkien ATEX Ex -tyyppisten tuotteiden käyttöohjeet ovat saatavilla englannin-, saksan- ja ranskankielisinä. Mikäli tarvitsette Ex -tyyppisten tuotteiden ohjeita omalla paikallisella kielellänne, ottakaa yhteyttä lähimpään Yokogawa-toimistoon tai -edustajaan.</p> | <p>PL Wszystkie instrukcje obsługi dla urządzeń w wykonaniu przeciwybuchowym Ex, zgodnych z wymaganiami ATEX, dostępne są w języku angielskim, niemieckim i francuskim. Jeżeli wymagana jest instrukcja obsługi w Państwa lokalnym języku, prosimy o kontakt z najbliższym biurem Yokogawy.</p> |
| <p>P Todos os manuais de instruções referentes aos produtos Ex da ATEX estão disponíveis em Inglês, Alemão e Francês. Se necessitar de instruções na sua língua relacionadas com produtos Ex, deverá entrar em contacto com a delegação mais próxima ou com um representante da Yokogawa.</p> | <p>SLO Vsi predpisi in navodila za ATEX Ex sorodni pridelki so pri roki v angleščini, nemščini ter francoščini. Če so Ex sorodna navodila potrebna v vašem tukejnem jeziku, kontaktirajte vaš najbliži Yokogawa office ili predstavnika.</p> |
| <p>F Tous les manuels d'instruction des produits ATEX Ex sont disponibles en langue anglaise, allemande et française. Si vous nécessitez des instructions relatives aux produits Ex dans votre langue, veuillez bien contacter votre représentant Yokogawa le plus proche.</p> | <p>H Az ATEX Ex műszerek gépkönyveit angol, német és francia nyelven adjuk ki. Amennyiben helyi nyelven kérik az Ex eszközök leírásait, kérjük keressék fel a legközelebbi Yokogawa irodát, vagy képviselőtet.</p> |
| <p>D Alle Betriebsanleitungen für ATEX Ex bezogene Produkte stehen in den Sprachen Englisch, Deutsch und Französisch zur Verfügung. Sollten Sie die Betriebsanleitungen für Ex-Produkte in Ihrer Landessprache benötigen, setzen Sie sich bitte mit Ihrem örtlichen Yokogawa-Vertreter in Verbindung.</p> | <p>BG Всички упътвания за продукти от серията ATEX Ex се предлагат на английски, немски и френски език. Ако се нуждаете от упътвания за продукти от серията Ex на родния ви език, се свържете с най-близкия офис или представителство на фирма Yokogawa.</p> |
| <p>S Alla instruktionsböcker för ATEX Ex (explosionssäkra) produkter är tillgängliga på engelska, tyska och franska. Om Ni behöver instruktioner för dessa explosionssäkra produkter på annat språk, skall Ni kontakta närmaste Yokogawakontor eller representant.</p> | <p>RO Toate manualele de instructiuni pentru produsele ATEX Ex sunt in limba engleza, germana si franceza. In cazul in care doriti instructiunile in limba locala, trebuie sa contactati cel mai apropiat birou sau reprezentant Yokogawa.</p> |
| <p>GR Όλα τα εγχειρίδια λειτουργίας των προϊόντων με ATEX Ex διατίθενται στα Αγγλικά, Γερμανικά και Γαλλικά. Σε περίπτωση που χρειάζεστε οδηγίες σχετικά με Ex στην τοπική γλώσσα παρακαλούμε επικοινωνήστε με το πλησιέστερο γραφείο της Yokogawa ή αντιπρόσωπο της.</p> | <p>M Il-manwali kollha ta' l-istruzzjonijiet għal prodotti marbuta ma' ATEX Ex huma disponibbli bl-Ingliż, bil-Germaniż u bil-Franċiż. Jekk tkun tehtieg struzzjonijiet marbuta ma' Ex fil-lingwa lokali tieghek, għandek tikkuntattja lill-egreb rappreżentant jew ufficju ta' Yokogawa.</p> |

8.1 General



WARNING

To ensure intrinsically safety, it is not permitted to repair or to modify the electronic transmitter and the limit switches

The RAKD with electronic transmitter type "E" as well the limit switches (option/ K_) are intrinsically safe devices.

The RAKD with option /KS1 is ATEX certified for hazardous areas of zone 1 (category 2) and zone 2 (category 3). It is not homologated for zone 0 areas (category 1) (option /KS1 for category 2 and 3, option /KS3 only for category 3G). The classification in brackets is given according to the EU Directive 2014/34/EU (ATEX).

The limit switches but not the electronic transmitter are ATEX dust proof certified (option /KS2).

The RAKD with option /KS1, /ES1, /NS1, /GS1 or /US1 is certified for hazardous areas of EPL Gb.

The RAKD with option /KS3 and /ES3 is for use in hazardous areas of EPL Gc.

The RAKD with option /FS1 is FM- certified for USA and Canada for hazardous classified locations Class I, Division 1, Groups A, B, C, D.

The RAKD with option /NS1 is NEPSI- certified.

The RAKD with option /US1 is INMETRO- certified.

The RAKD with option /GS1 is EAC- certified.

The RAKD must be connected to an intrinsically safe, certified power supply with a maximum voltage and output power below the maximum values of the RAKD (refer to Technical data, section 7). The combined internal inductance and capacity of the RAKD and connecting cables must be less than the permitted external inductance and capacity of the power supply. Accordingly, the limit switches and the pulse output have to be connected to intrinsically safe, certified isolating switching amplifiers. The relevant maximum safety values must be heeded at all times. Power supply and transmitter relay are assigned devices and should be installed outside any hazardous zone.

Especially in the case of high fluid temperatures, heated metering tubes or heat radiation by heat tracing, make sure that the temperature in the indicator housing does not exceed the permissible maximum ambient temperature of the transmitter (refer to Technical data, section 7).

To ensure intrinsically safety, it is not permitted to repair or modify the measuring transmitter.



WARNING

Electrostatic charge on painted or other non- metallic surfaces may cause an explosion hazard.

Avoid any actions that cause the generation of electrostatic charge, such as rubbing with a dry cloth on painted surface of the indicator.

8.2 Intrinsically safe ATEX certified RAKD (/KS1)

8.2.1 Technical data

EC-Type Examination Certificate Nr.: KEMA 00ATEX1037X

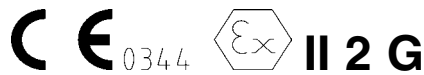
Used standards:

EN 60079-0: 2012/A11: 2013

EN60079-11: 2012

The RAKD with electronic transmitter and limit switches is an intrinsically safe device. This device is certified for hazardous areas of zone 1 (category 2) and zone 2 (category 3). It is not homologated for zone 0 (category 1). The classifications in brackets are given according to Directive 2014/34/EU (ATEX).

Identification in accordance with regulation 2014/34/EU (ATEX):



Data of electronic transmitter type -E:

Type of protection : Intrinsically safe Ex ia IIC T6-T4 Gb

Ambient temperature: -25 °C – +65 °C

Safety relevant maximum values:

Supply (current output):

Maximum voltage: $U_i = 30 \text{ V}$

Maximum current: $I_i = 100 \text{ mA}$

Maximum power: $P_i = 750 \text{ mW}$

Inner inductance: $L_i = 0.73 \text{ mH}$

Inner capacity: $C_i = 2.4 \text{ nF}$

Pulse output:

Maximum voltage: $U_i = 16 \text{ V}$

Maximum current: $I_i = 20 \text{ mA}$

Maximum power: $P_i = 64 \text{ mW}$

Inner inductance: $L_i = 0 \text{ mH}$

Inner capacity: $C_i = 0 \text{ nF}$

Data of limit switches:

Type of protection: Intrinsically safe Ex ia IIC T6 – T1 Gb

Safety relevant maximum values:

	SC2-NO (/K1 – /K3)		SJ2-SN (/K6 – /K8)	
	Type 2	Type 3	Type 2	Type 3
Maximum voltage:	$U_i = 16 \text{ V}$	16 V	$U_i = 16 \text{ V}$	16 V
Maximum current:	$I_i = 25 \text{ mA}$	52 mA	$I_i = 25 \text{ mA}$	52 mA
Maximum power:	$P_i = 64 \text{ mW}$	169 mW	$P_i = 64 \text{ mW}$	169 mW
Inner inductance:	$L_i = 0.15 \text{ mH}$	0.15 mH	$L_i = 0.1 \text{ mH}$	0.1 mH
Inner capacity:	$C_i = 150 \text{ nF}$	150 nF	$C_i = 30 \text{ nF}$	30 nF

Temperature specification:**Table 8-1**

Configura- tion	Max. ambient temperature	Max. process tem- perature	Temperature class
Transmitter 4-20 mA / Pulse	65 °C	65 °C	T6
	50 °C	80 °C	
	45 °C	100 °C	T5
	38 °C	135 °C	T4
Limit switch(es) type 2	65 °C	65 °C	T6
	80 °C	80 °C	T5
	59 °C	100 °C	
	100 °C	100 °C	T4
	73 °C	135 °C	
Limit switch(es) type 3	24 °C	65 °C	T6
	37 °C	80 °C	T5
	34 °C	100 °C	
	57 °C	80 °C	T4
	54 °C	100 °C	
	48 °C	135 °C	

For the configuration where a transmitter is combined with limit switches, the temperature class is determined by the most restrictive combinations of maximum ambient temperature and maximum process temperature.

Description of limit switch type 2 and 3 see ATEX certificates from Pepperl & Fuchs:

- PTB 99 ATEX 2219X (SC2-NO) for /K1 – /K3
- PTB 00 ATEX 2049X (SJ2-SN) for /K6 – /K8

Intrinsic safe power supply for the electronic transmitter:

The power supply for the electronic transmitter is an associated apparatus that may not be installed in the hazardous area, and it may not exceed the safety relevant maximum values for voltage, current and power of the electronic transmitters as specified above.

For example the type RN221N-B1 (option (UT) according certificate PTB 00ATEX2018 can be used.

Intrinsic safe power supply for the limit switches:

The power supply (transmitter relay) for the limit switches is an associated apparatus that may not be installed in the hazardous area, and it may not exceed the safety relevant maximum values for voltage, current and power of the connected limit switch as specified above.

For example the type KFA6-SR2-Ex... (option (W2□) according certificate PTB 00ATEX2081 (230V AC supply) or the type KFD2-SR2-Ex... (option (W4□) according certificate PTB 00ATEX2080 (24V DC supply) can be used.

8.2.2 Installation

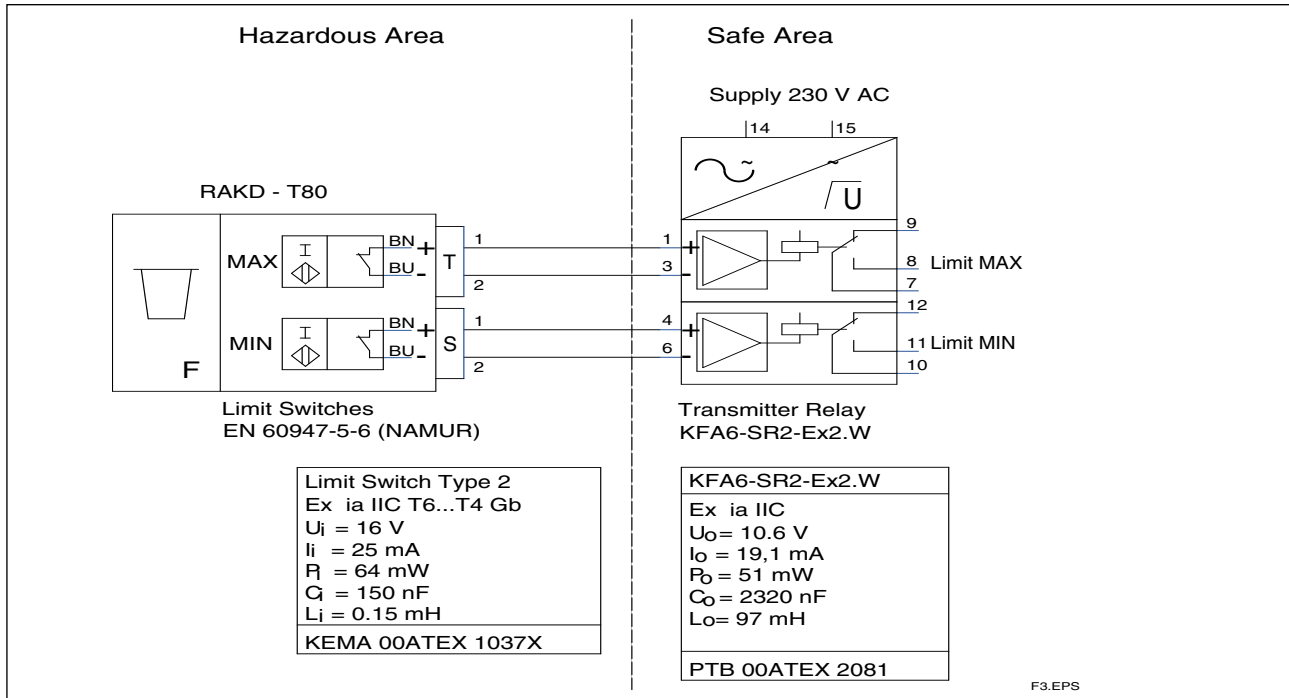


Fig. 8-1 Ex-Version acc. ATEX (Option /KS1) with 2 limit switches and transmitter relay

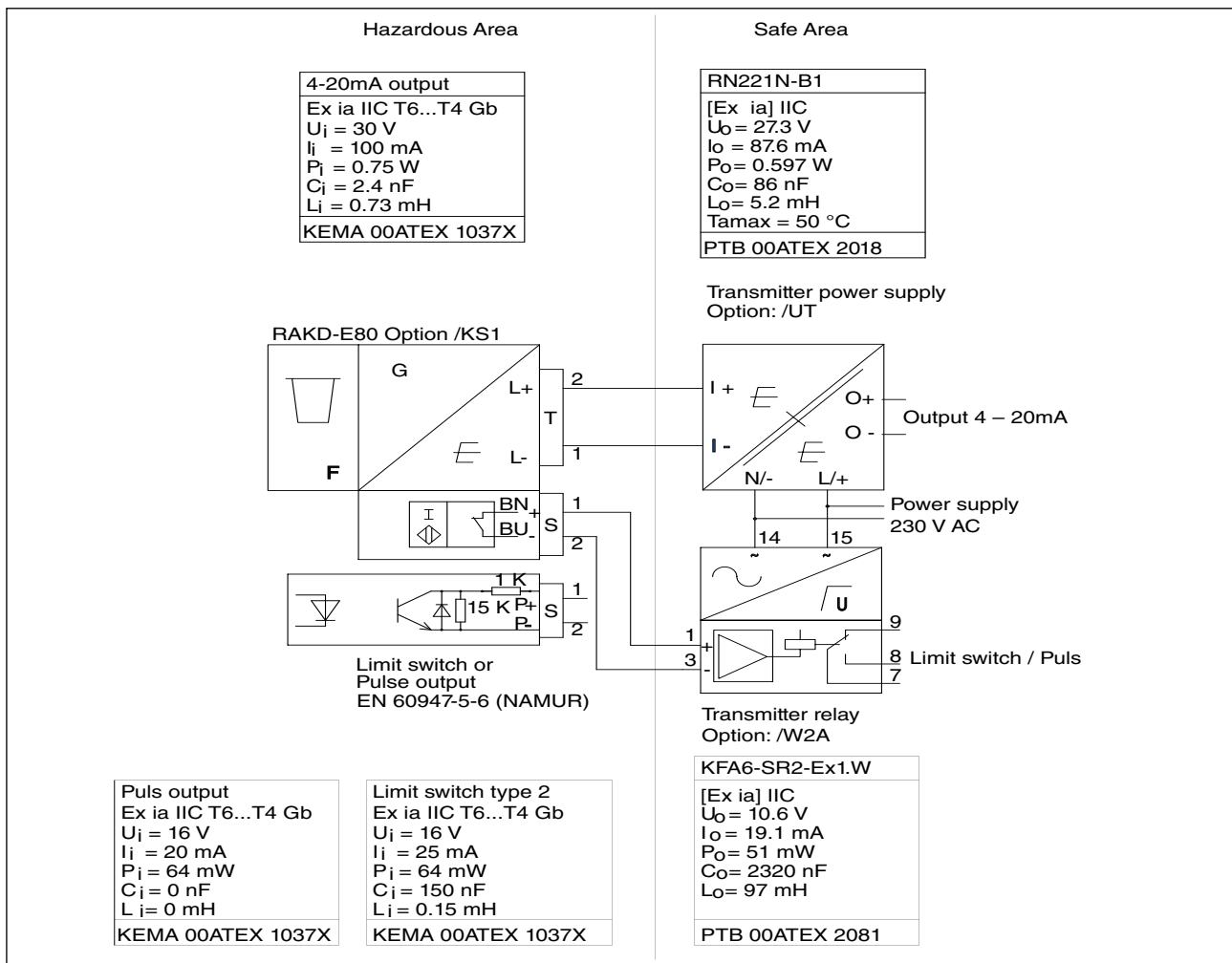


Fig. 8-2 Ex-Version acc. ATEX (Option /KS1) with electronic transmitter in combination with power supply and additional limit switch or pulse output with transmitter relay

8.3 Intrinsically safe IECEx certified RAKD (/ES1)

8.3.1 Technical data

Certificate Nr.: IECEx DEK 12.0003X

Used standards:

- IEC 60079-0: 2011
- IEC 60079-11: 2011

The RAKD with electronic transmitter and limit switches is an intrinsically safe device. This device is certified for EPL Gb.

Data of electronic transmitter type -E:

Type of protection: Intrinsically safe Ex ia IIC T6 -T4 Gb

Ambient temperature: -25 °C – +65 °C

Safety relevant maximum values:

Supply (current output):

Maximum voltage:	$U_i = 30 \text{ V}$
Maximum current:	$I_i = 100 \text{ mA}$
Maximum power:	$P_i = 750 \text{ mW}$
Inner inductance:	$L_i = 0.73 \text{ mH}$
Inner capacity:	$C_i = 2.4 \text{ nF}$
Pulse output:	
Maximum voltage:	$U_i = 16 \text{ V}$
Maximum current:	$I_i = 20 \text{ mA}$
Maximum power:	$P_i = 64 \text{ mW}$
Inner inductance:	$L_i = 0 \text{ mH}$
Inner capacity:	$C_i = 0 \text{ nF}$

Data of limit switches:

Type of protection: Intrinsically safe Ex ia IIC T6 – T1 Gb

Safety relevant maximum values:

	SC2-NO (/K1.../K3)		SJ2-SN (/K6.../K8)	
	Type 2	Type 3	Type 2	Type 3
Maximum voltage:	$U_i = 16 \text{ V}$	16 V	$U_i = 16 \text{ V}$	16 V
Maximum current:	$I_i = 25 \text{ mA}$	52 mA	$I_i = 25 \text{ mA}$	52 mA
Maximum power:	$P_i = 64 \text{ mW}$	169 mW	$P_i = 64 \text{ mW}$	169 mW
Inner inductance:	$L_i = 0.15 \text{ mH}$	0.15 mH	$L_i = 0.1 \text{ mH}$	0.1 mH
Inner capacity:	$C_i = 150 \text{ nF}$	150 nF	$C_i = 30 \text{ nF}$	30 nF

Temperature specification:**Table 8-2**

Configura- tion	Max. ambient temperature	Max. process tem- perature	Temperature class
Transmitter 4-20 mA / Pulse	65 °C	65 °C	T6
	50 °C	80 °C	
	45 °C	100 °C	T5
	38 °C	135 °C	T4
Limit switch(es) type 2	65 °C	65 °C	T6
	80 °C	80 °C	T5
	59 °C	100 °C	
	100 °C	100 °C	T4
	73 °C	135 °C	
Limit switch(es) type 3	24 °C	65 °C	T6
	37 °C	80 °C	T5
	34 °C	100 °C	
	57 °C	80 °C	T4
	54 °C	100 °C	
	48 °C	135 °C	

For the configuration where a transmitter is combined with limit switches, the temperature class is determined by the most restrictive combinations of maximum ambient temperature and maximum process temperature.

Description of limit switch type 2 and 3 see IECEx certificates from Pepperl & Fuchs:

- IECEx PTB 11.0091X (SC2-NO) for /K1 – /K3
- IECEx PTB 11.0092X (SJ2-SN) for /K6 – /K8

Intrinsic safe power supply for the electronic transmitter:

The power supply for the electronic transmitter is an associated apparatus that may not be installed in the hazardous area, and it may not exceed the safety relevant maximum values for voltage, current and power of the electronic transmitters as specified above. The internal capacity or inductivity of RAKD inclusive cable may not exceed the external capacity or inductivity of the power supply.

For example the type RN221N-B1 (Option /UT) with certificate IECEx PTB06.0089 can be used.

Intrinsic safe power supply for the limit switches:

The power supply (transmitter relay) for the limit switches is an associated apparatus that may not be installed in the hazardous area, and it may not exceed the safety relevant maximum values for voltage, current and power of the connected limit switch as specified above.

For example the type KFA6-SR2-Ex... (option (W2□) according certificate IECEx PTB 11.0031 (230 V AC supply) or the type KFD2-SR2-Ex... (option (W4□) according certificate IECEx PTB11.0034 (24 V DC supply) can be used.

8.3.2 Installation

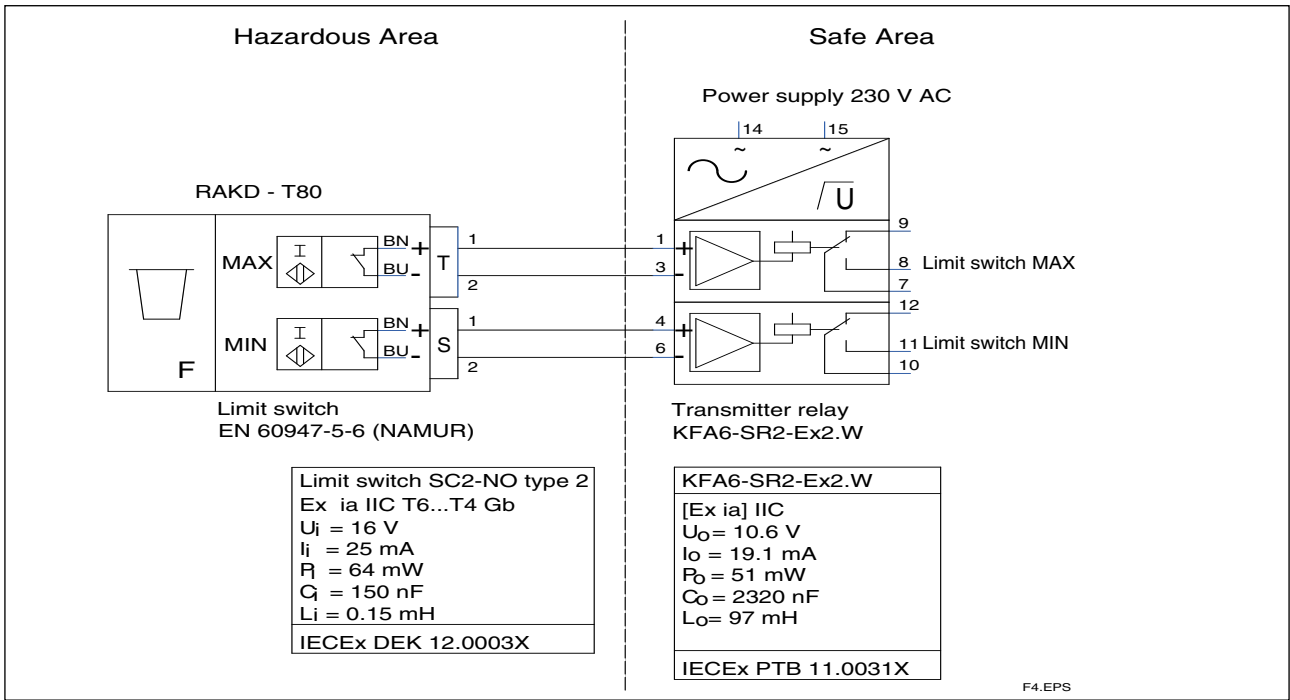


Fig. 8-3 Ex-Version acc. IECEx (Option /ES1) with 2 limit switches and transmitter relay

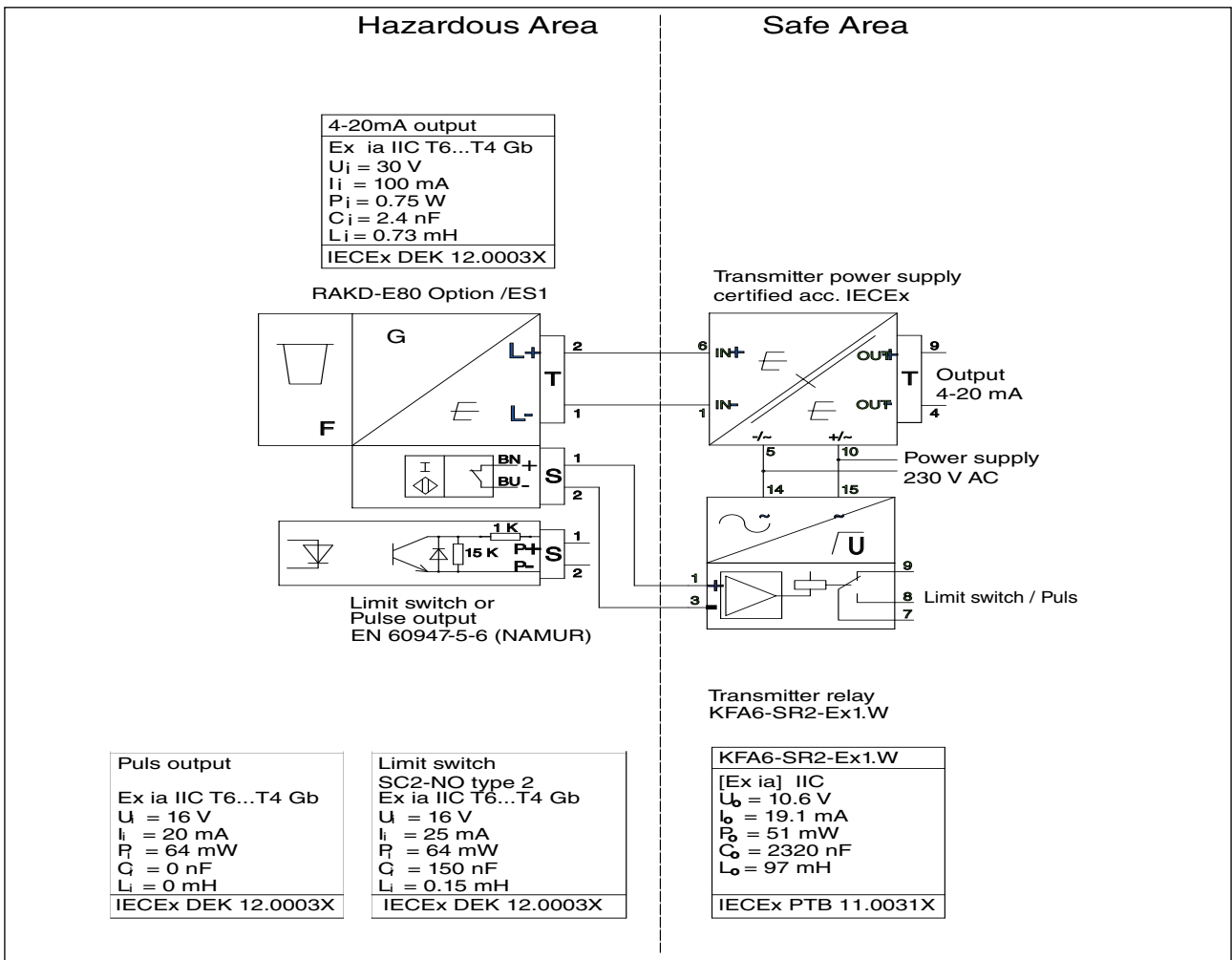


Fig. 8-4 Ex-Version acc. IECEx (Option /ES1) with electronic transmitter in combination with power supply and additional limit switch or pulse output with transmitter relay

8.4 ATEX registered non-electrical RAKD (/KC1)

8.4.1 Technical data

Applicable Standards:

EN 13463-1: 2009

Archive No.:

IBExU 137/15_E1

Explosion proof:

II 2GD IIC TX

TX = max. surface temperature determined by the process temperature

Ambient temperature:

-25 °C – 80 °C

Process temperature:

see chapter 7.2

Protection:

IP66/67

8.4.2 Safety Instructions

Identified hazards:

- flammable products inside tube
- static electricity

**WARNING**

Operation with flammable products is only permitted as long as no explosive mixture builds up on the inside of the flowmeter under operating conditions. The operator is responsible for ensuring that the flowmeter is operated safely as regards the temperature and pressure of the products used. In case of operation with flammable products the measuring units must be included in the periodic pressure tests of the system.

If conductive fluids are used with stainless steel as material of wetted parts the Rotameter must be connected to the potential equalization.

**CAUTION**

1. Supply grounding connection by the process connections.
2. In hazardous areas, only operate the indicator with a closed cover.
3. Ignition risks caused by pressure surges, impact or friction must be avoided.
4. Use of the equipment is not permitted in areas where the following occur: processes that generate strong charges, machine grinding and separation processes, electronic spraying (e.g. near electrostatic painting systems) or pneumatically conveyed dust.

8.4.3 Marking



Archive No. IBExU 137/15

II 2GD IIC TX

Tamb. -25 °C – 80 °C

8.5 EAC certified non-electrical RAKD (/GC1)

8.5.1 Technical data

Applicable Standards:

EN 13463-1: 2009

Certificate number:

RU C-DE.ГБ08.B.01183

Explosion proof:

IIC T*X / IIIC T*°C TX

TX = max. surface temperature determined by the process temperature

Ambient temperature:

-25 °C – 80 °C

Process temperature:

see chapter 7.2

Protection:

IP66/67

8.5.2 Safety Instructions

Identified hazards:

- flammable products inside tube
- static electricity

**WARNING**

Operation with flammable products is only permitted as long as no explosive mixture builds up on the inside of the flowmeter under operating conditions. The operator is responsible for ensuring that the flowmeter is operated safely as regards the temperature and pressure of the products used. In case of operation with flammable products the measuring units must be included in the periodic pressure tests of the system.

If conductive fluids are used with stainless steel as material of wetted parts the Rotameter must be connected to the potential equalization.

**CAUTION**

1. Supply grounding connection by the process connections.
2. In hazardous areas, only operate the indicator with a closed cover.
3. Ignition risks caused by pressure surges, impact or friction must be avoided.
4. Use of the equipment is not permitted in areas where the following occur: processes that generate strong charges, machine grinding and separation processes, electronic spraying (e.g. near electrostatic painting systems) or pneumatically conveyed dust.

8.5.3 Marking

RU C-DE.ГБ08.B.01183

II Gb IIC T*X

III Db IIIC T*°C TX

Tamb. -25 °C – 80 °C

8.6 Intrinsically safe INMETRO certified RAKD (/US1)

Used standards:

- ABNT NBR IEC 60079-0: 2013
- ABNT NBR IEC 60079-11: 2013

Certificate DEKRA 15.0005 X

8.6.1 Technical data

The RAKD with electronic transmitter and limit switches is an intrinsically safe device.

Data of electronic transmitter type -E:

Type of protection : Intrinsically safe Ex ia IIC T6 -T4 Gb

Ambient temperature: -25 °C – +65 °C

Safety relevant maximum values:

Supply (current output):

Maximum voltage:	$U_i = 30 \text{ V}$
Maximum current:	$I_i = 100 \text{ mA}$
Maximum power:	$P_i = 750 \text{ mW}$
Inner inductance:	$L_i = 0.73 \text{ mH}$
Inner capacity:	$C_i = 2.4 \text{ nF}$
Pulse output:	
Maximum voltage:	$U_i = 16 \text{ V}$
Maximum current:	$I_i = 20 \text{ mA}$
Maximum power:	$P_i = 64 \text{ mW}$
Inner inductance:	$L_i = 0 \text{ mH}$
Inner capacity:	$C_i = 0 \text{ nF}$

Data of limit switches:

Type of protection: Intrinsically safe Ex ia IIC T6 – T1 Gb

Safety relevant maximum values:

	SC2-NO (/K1.../K3)		SJ2-SN (/K6.../K8)	
	Type 2	Type 3	Type 2	Type 3
Maximum voltage:	$U_i = 16 \text{ V}$	16 V	$U_i = 16 \text{ V}$	16 V
Maximum current:	$I_i = 25 \text{ mA}$	52 mA	$I_i = 25 \text{ mA}$	52 mA
Maximum power:	$P_i = 64 \text{ mW}$	169 mW	$P_i = 64 \text{ mW}$	169 mW
Inner inductance:	$L_i = 0.15 \text{ mH}$	0.15 mH	$L_i = 0.1 \text{ mH}$	0.1 mH
Inner capacity:	$C_i = 150 \text{ nF}$	150 nF	$C_i = 30 \text{ nF}$	30 nF

Temperature specification:**Table 8-3**

Configura- tion	Max. ambient temperature	Max. process tem- perature	Temperature class
Transmitter 4-20 mA / Pulse	65 °C	65 °C	T6
	50 °C	80 °C	
	45 °C	100 °C	T5
	38 °C	135 °C	T4
Limit switch(es) type 2	65 °C	65 °C	T6
	80 °C	80 °C	T5
	59 °C	100 °C	
	100 °C	100 °C	T4
	73 °C	135 °C	
Limit switch(es) type 3	24 °C	65 °C	T6
	37 °C	80 °C	T5
	34 °C	100 °C	
	57 °C	80 °C	T4
	54 °C	100 °C	
	48 °C	135 °C	

For the configuration where a transmitter is combined with limit switches, the temperature class is determined by the most restrictive combinations of maximum ambient temperature and maximum process temperature.

Description of limit switch type 2 and 3 see IECEx certificates from Pepperl & Fuchs:

- INMETRO TÜV 13.1131 X (SC2-NO) for /K1 – /K3
- INMETRO TÜV 14.0352 X (SJ2-SN) for /K6 – /K8

Intrinsic safe power supply for the electronic transmitter:

The power supply for the electronic transmitter is an associated apparatus that may not be installed in the hazardous area, and it may not exceed the safety relevant maximum values for voltage, current and power of the electronic transmitters as specified above. The internal capacity or inductivity of RAKD inclusive cable may not exceed the external capacity or inductivity of the power supply.

Intrinsic safe power supply for the limit switches:

The power supply (transmitter relay) for the limit switches is an associated apparatus that may not be installed in the hazardous area, and it may not exceed the safety relevant maximum values for voltage, current and power of the connected limit switch as specified above.

8.6.2 Marking

Ex ia IIC T6...T4 Gb
 Transmissor:
 $U_i=30\text{ V}$ $I_i=100\text{ mA}$
 $P_i=0,75\text{ W}$
 $L_i=0,73\text{ mH}$ $C_i=2,4\text{ nF}$
 Saída de pulso:
 $U_i=16\text{ V}$ $I_i=20\text{ mA}$
 $P_i=64\text{ mW}$
 $L_i=0\text{ nH}$ $C_i=0\text{ nF}$
 Chave limite: SC2-NO
 Ex ia IIC T6...T4 Gb
 Ver certificado para dados
 or
 Chave limite: SJ2-SN
 Ex ia IIC T6...T4 Gb
 Ver certificado para dados

Segurança

Aviso: Perigo
 potencial de carga
 eletrostática!

**INMETRO DEKRA 15.0005X**

8.6.3 Installation

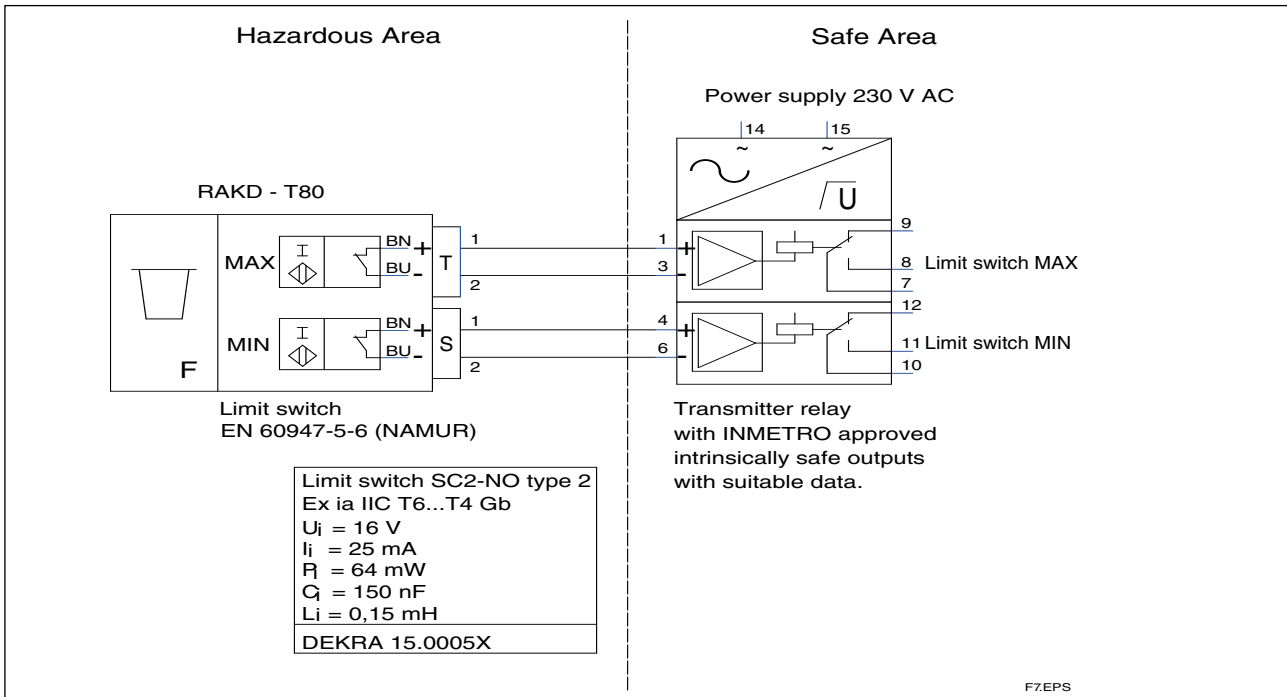


Fig. 8-5 Ex-Version acc. INMETRO (Option /US1) with 2 limit switches and transmitter relay

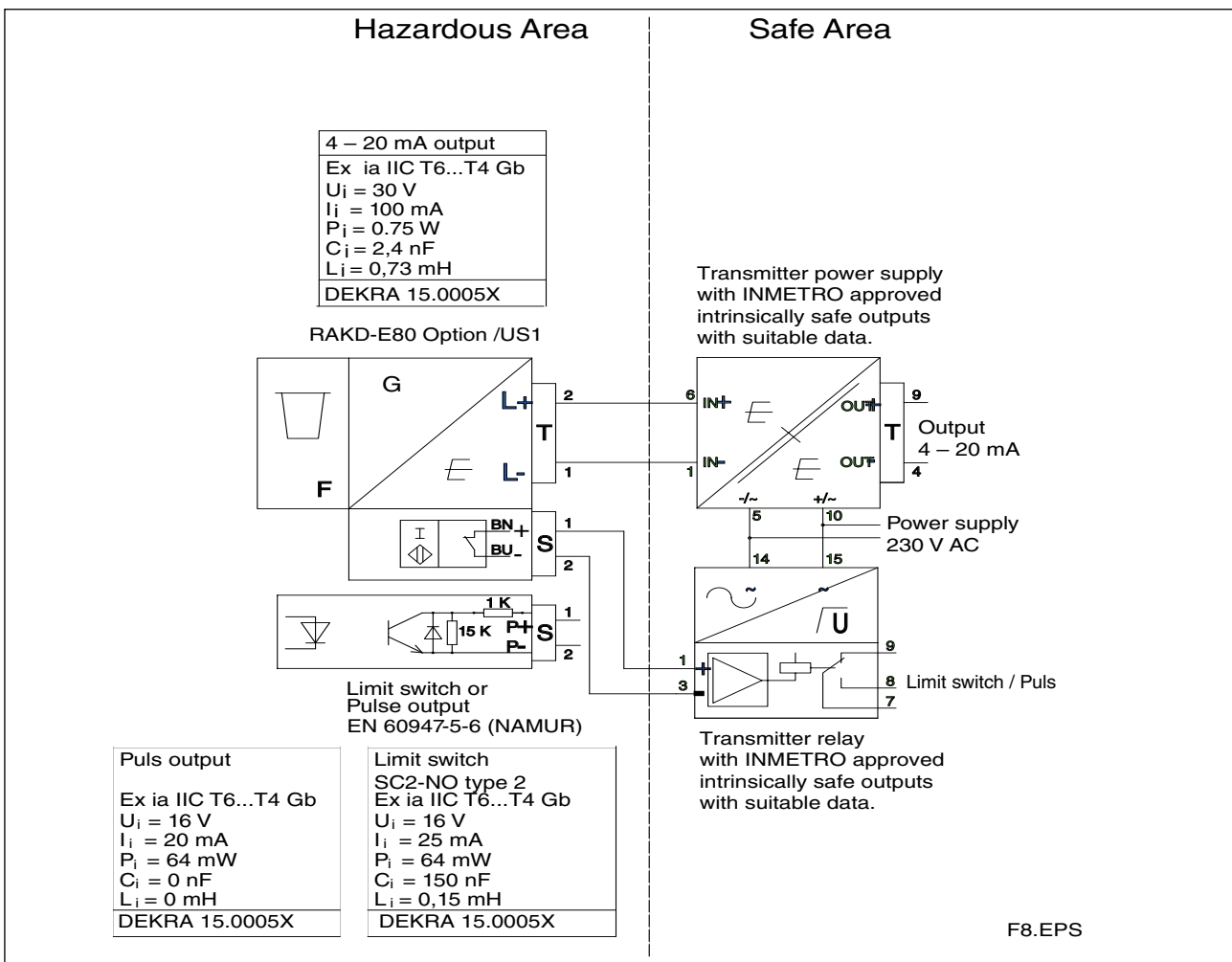


Fig. 8-6 Ex-Version acc. INMETRO (Option /US1) with electronic transmitter in combination with power supply and additional limit switch or pulse output with transmitter relay

8.7 Intrinsically safe "ic" ATEX /IECEx certified RAKD for Category 3G (/KS3, /ES3)

The RAKD with /KS3 or /ES3 is a unit with protection „ic“

It may be used in hazardous areas of category 3G.

This version is same hardware as intrinsically safe "ia" type (/KS1, /ES1).

Data of electronic transmitter type -E:

Type of protection: Intrinsically safe Ex ic IIC T6-T4 Gc

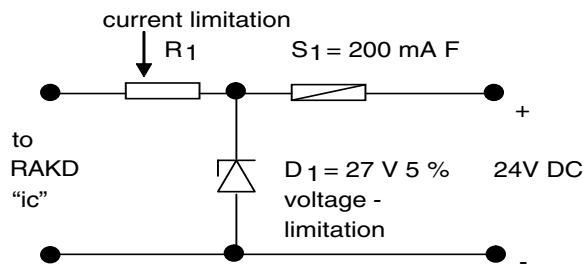
Ambient temperature: -25 °C – +65 °C

Safety relevant maximum values:

Supply (current output):

Maximum voltage:	$U_i = 30 \text{ V}$
Maximum current:	$I_i = 100 \text{ mA}$
Maximum power:	$P_i = 750 \text{ mW}$
Inner inductance:	$L_i = 0.73 \text{ mH}$
Inner capacity:	$C_i = 2.4 \text{ nF}$
Pulse output:	
Maximum voltage:	$U_i = 16 \text{ V}$
Maximum current:	$I_i = 20 \text{ mA}$
Maximum power:	$P_i = 64 \text{ mW}$
Inner inductance:	$L_i = 0 \text{ mH}$
Inner capacity:	$C_i = 0 \text{ nF}$

Protection circuit for a power supply to meet the maximum values:



$P_o = 0.7 \text{ W}$
$I_o = 100 \text{ mA}$
$U_o = 28.35 \text{ V}$
$C_o = 260 \text{ nF}$
$L_o = 8.0 \text{ mH}$
$R_1 = 300 \text{ W, } 5 \%, 3\text{W}$

F2.EPS

Data of limit switches:

Type of protection: Intrinsically safe Ex ic IIC T6 Gc

Safety relevant maximum values:

	SC2-NO (/K1. – /K3)		SJ2-SN (/K6 – K8)	
	Type 2	Type 3	Type 2	Type 3
Maximum voltage:	$U_i = 16 \text{ V}$	16 V	$U_i = 16 \text{ V}$	16 V
Maximum current:	$I_i = 25 \text{ mA}$	52 mA	$I_i = 25 \text{ mA}$	52 mA
Maximum power:	$P_i = 64 \text{ mW}$	169 mW	$P_i = 64 \text{ mW}$	169 mW
Inner inductance:	$L_i = 0.15 \text{ mH}$	0.15 mH	$L_i = 0.1 \text{ mH}$	0.1 mH
Inner capacity:	$C_i = 150 \text{ nF}$	150 nF	$C_i = 30 \text{ nF}$	30 nF

8.8 Intrinsically safe FM (USA) components (/FS1)

Data of limit switches (FM-approval):

The limit switches are intrinsically safe devices. They are certified by Pepperl & Fuchs for:

Intrinsically safe: Cl. I, Div. 1, GP. A, B, C, D T6 Ta=60 °C
Cl. II, Div. 1, GP. E, F, G
Cl. III, Div. 1

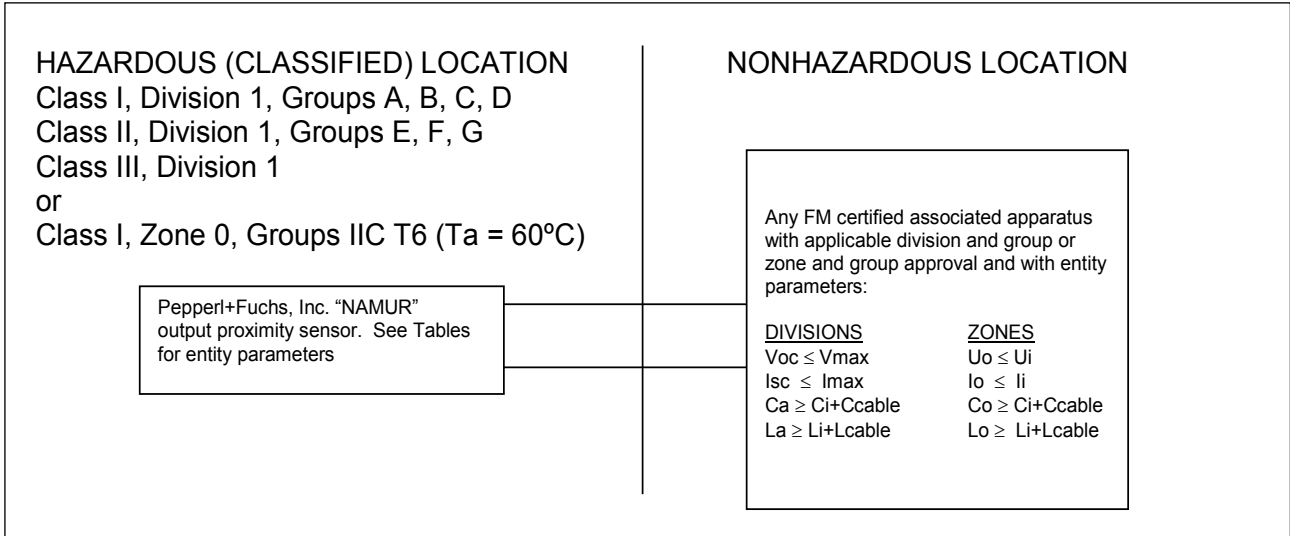
Nonincendive: Cl. I, Div. 2, GP. A, B, C, D T5 Ta=50 °C
Cl. II, Div. 1, GP. E, F, G
Cl. III, Div. 1

Maximum Entity Field Wiring Parameters:

see FM-control drawing 116-0165 on page 8-16 and 8-17 for intrinsic safety
see FM-control drawing 116-0155 on page 8-18 for nonincendive

Control Drawings

FM: Limit switches intrinsically safe (1)



Notes:

1. For installation in a Division 1 hazardous (classified) location, the wiring must be in accordance with the National Electrical Code, NFPA 70, Article 504. For installation in a Zone 0 hazardous (classified) location, the wiring must be in accordance with the National Electrical Code, NFPA 70, Article 505. For additional information refer to ISA RP-12.6.
2. The Entity Concept allows interconnection of intrinsically safe and associated apparatus not specifically examined in combination as a system when the approved values of Voc (or Uo) and Isc (or Io) for the associated apparatus are less than or equal to Vmax (or Ui) and Imax (or Ii) for the intrinsically safe apparatus and the approved values of Ca (or Co) and La (or Lo) for the associated apparatus are greater than Ci + Ccable, Li + Lcable, respectively for the intrinsically safe apparatus.
3. Barriers shall not be connected to any device that uses or generates in excess of 250V rms or DC unless it has been determined that the voltage is adequately isolated from the barrier.
4. Note associated apparatus with only Zone 1 approved connections limits the mounting of the sensors to Zone 1.
5. 'a' in model number indicates option not affecting safety.
6. NAMUR sensors are also nonincendive for Class I, Division 2, Groups A,B,C, and D; Class II, Division 1, Groups E,F, and G; Class III, Division 1; Class I, Zone 2, Groups IIC, IIB, IIA T5 hazardous (classified) locations and need not be connected to an associated apparatus when installed in accordance with Control Drawing 116-0155.
7. The correlation between Typee of connected circuit, maximum permissible ambient temperature and temperature class are indicated at the top of each Table.
8. Model number NMB8-SAE16GM27-N1-FE-V1 approved for Class I, Division 1, Groups C and D T4 (Ta = 85°C). See Table 12.
9. **Warning** - Equipment with non-metallic enclosures shall not be installed in a location where the external conditions are conducive to the build-up of electrostatic charge on such surfaces. The equipment shall only be cleaned with a damp cloth.

Dieses Dokument enthält sicherheitsrelevante Angaben. Es darf nicht ohne Absprache mit dem Normenfachmann geändert werden!									
This document contains safety-relevant information. It must not be altered without the authorization of the norm expert!									
Confidential according to ISO 16016	Only valid as long as released in EDM or with a valid production documentation!	scale: 1:1	date: 2015-Dec-08						
PEPPERL+FUCHS <small>Twinsburg</small>	Control Drawing	change notice tbd	<table border="1" style="width: 100%; border-collapse: collapse;"> <tr> <td style="font-size: x-small;">respons.</td> <td style="font-size: x-small;">PJU</td> </tr> <tr> <td style="font-size: x-small;">approved</td> <td style="font-size: x-small;">UEH</td> </tr> <tr> <td style="font-size: x-small;">norm</td> <td style="font-size: x-small;">PJU</td> </tr> </table>	respons.	PJU	approved	UEH	norm	PJU
	respons.	PJU							
	approved	UEH							
norm	PJU								
NAMUR SENSORS – FM	116-0165G	sheet 1 of 11							

FM: Limit switches intrinsically safe (2)

TABLE 11 – INDUCTIVE SLOT SENSORS (SC..., SJ...)

Model	Ci	Li	Type 1 Ui = 16 V li = 25 mA Pi = 34 mW			Type 2 Ui = 16 V li = 25 mA Pi = 64 mW			Type 3 Ui = 16 V li = 52 mA Pi = 169 mW			Type 4 Ui = 16 V li = 76 mA Pi = 242 mW		
			T6	T5	T4-T1	T6	T5	T4-T1	T6	T5	T4-T1	T6	T5	T4-T1
Maximum permissible ambient temperature for application in temperature class														
SC2-N0a	150 nF	150 µH	55°C	67°C	95°C	48°C	60°C	88°C	23°C	35°C	63°C	6°C	18°C	46°C
SC3,5a-N0a	150 nF	150 µH	56°C	68°C	96°C	49°C	61°C	89°C	28°C	40°C	68°C	13°C	25°C	53°C
SC3,5-N0-Ya	150 nF	150 µH	55°C	67°C	95°C	48°C	60°C	88°C	23°C	35°C	63°C	6°C	18°C	46°C
SJ1,8-N-Ya	30 nF	100 µH	73°C	88°C	100°C	67°C	82°C	100°C	45°C	60°C	78°C	30°C	45°C	57°C
SJ2-Na	30 nF	100 µH	56°C	68°C	96°C	49°C	61°C	89°C	28°C	40°C	68°C	13°C	25°C	53°C
SJ2-SNa	30 nF	100 µH	73°C	88°C	100°C	66°C	81°C	100°C	45°C	60°C	78°C	30°C	45°C	57°C
SJ2-S1Na	60 nF	100 µH	73°C	88°C	100°C	66°C	81°C	100°C	45°C	60°C	78°C	30°C	45°C	57°C
SJ2,2-Na	30 nF	100 µH	73°C	88°C	100°C	67°C	82°C	100°C	45°C	60°C	78°C	30°C	45°C	57°C
SJ3,5-a-Na	50 nF	250 µH	56°C	68°C	96°C	49°C	61°C	89°C	28°C	40°C	68°C	13°C	25°C	53°C
SJ3,5-H-a	50 nF	250 µH	73°C	88°C	100°C	66°C	81°C	100°C	45°C	60°C	89°C	30°C	45°C	74°C
SJ3,5-SNa	30 nF	100 µH	73°C	88°C	100°C	66°C	81°C	100°C	45°C	60°C	89°C	30°C	45°C	74°C
SJ3,5-S1Na	30 nF	100 µH	73°C	88°C	100°C	66°C	81°C	100°C	45°C	60°C	89°C	30°C	45°C	74°C
SJ5-a-Na	50 nF	250 µH	56°C	68°C	96°C	49°C	61°C	89°C	28°C	40°C	68°C	13°C	25°C	53°C
SJ5-Ka	50 nF	550 µH	55°C	67°C	95°C	48°C	60°C	88°C	25°C	37°C	65°C	9°C	21°C	49°C
SJ10-Na	50 nF	100 µH	55°C	67°C	95°C	48°C	60°C	88°C	25°C	37°C	65°C	9°C	21°C	49°C
SJ15-Na	150 nF	1200 µH	55°C	67°C	95°C	48°C	60°C	88°C	25°C	37°C	65°C	9°C	21°C	49°C
SJ30-Na	150 nF	1250 µH	55°C	67°C	95°C	48°C	60°C	88°C	25°C	37°C	65°C	9°C	21°C	49°C

TABLE 12 – INDUCTIVE SENSORS (NMB...)

Model	Vmax ,Ui	Imax, li	Pi	Ci	Li
NMB8-SAE16GM27-N1-FE-V1	16 V	25 mA	100 mW	2 µF	8 mH

Dieses Dokument enthält sicherheitsrelevante Angaben. Es darf nicht ohne Absprache mit dem Normenfachmann geändert werden!

This document contains safety-relevant information. It must not be altered without the authorization of the norm expert!

Confidential according to ISO 16016

Only valid as long as released in EDM or with a valid production documentation!

scale: 1:1

date: 2015-Dec-08



Control Drawing

change notice
tbd

respons. PJU

approved UEH

norm PJU

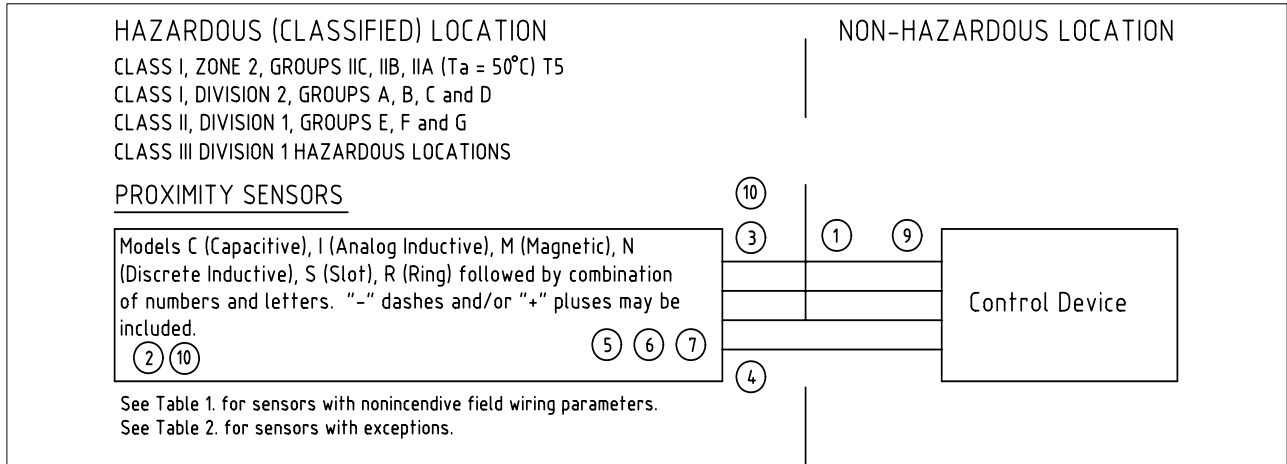
116-0165G

Twinsburg

NAMUR SENSORS – FM

sheet 11 of 11

FM: Limit switches nonincendive



NOTES:

- ① Wiring methods must be in accordance with the National Electrical Code, ANSI/NFPA 70, Article 501-4(b) for Class I, Division 2; 502-4(a) for Class II, Division 1; 502-4(b) for Class II, Division 2; 503-3(a) for Class III, Division 1; 503-3(b) for Class III, Division 2. Zone 2 wiring requirements are equivalent to Division 2 wiring requirements. See manufacturer's instructions for connection of devices and electrical data.
- ② These proximity sensors are rated "Nonincendive". Proximity sensors without a provision for conduit connection (i.e. via a conduit adapter) or a sensor with a plastic base must be mounted in a tool secured enclosure meeting the requirements of ANSI/ISA S82. Alternatively, sensors in accordance with Table 1 may be wired according to nonincendive field wire methods (a conduit connection or enclosure is not needed).
- ③ Proximity sensors, conduit, enclosures, and exposed noncurrent-carrying metal parts must be grounded and bonded in accordance with the National Electrical Code, ANSI/NFPA 70, Article 250.
- ④ WARNING - DO NOT CONNECT OR DISCONNECT WHILE CIRCUIT IS LIVE UNLESS LOCATION IS KNOWN TO BE NONHAZARDOUS.
- ⑤ The relay outputs of a proximity sensor must be supplied by a nonincendive source.
- ⑥ Sensitivity adjustment should only be done when the area is known to be nonhazardous.
- ⑦ A temperature rating of T5 applies for all nonincendive proximity sensors. SEE TABLE 2 for exceptions
- ⑧ The nonincendive field wiring concept allows interconnection of nonincendive circuits with a nonincendive source when the approved values of Voc and Isc of the nonincendive source are less than or equal to Vmax and Imax of the nonincendive circuit and the approved values of Ca and La for the nonincendive source are greater than Ci + Ccable and Li + Lcable, respectively, for the nonincendive circuit.
- ⑨ All Nonincendive sources must be approved.
- ⑩ Sensors using V93, V94, V95 connectors ("mini" 7/8") with the locking clamp (P+F model V9-CL-D2) and V1, V12 connectors with locking clamp (P & F model V1-Clip) are suitable to be mounted outside the protective enclosure. Wiring methods must be in accordance to the National Electrical Code, ANSI/NFPA 70.
- ⑪ NJa-b-c-d-e. Inductive Cylinder Position Sensor is suitable for Class I, Div 2 only.
 NI/I/2/ABCD/T5 Ta=50°C
 a=1,5, 2, 3
 b=C, D, F, PD, FD1
 c=US, E02, E2, E0
 d=any diameter
 e=V1, V12, V93, V94, V95 connectors
 NEMA 4X

TABLE 1 - NONINCENDIVE PARAMETERS ⑧

MODEL NUMBER	Vmax (V)	Imax (mA)	C _i (UF)	L _i (mH)
NJ2-12GM40-E2	60.0	200	0	0
NJ5-18GM50-E2	60.0	200	0	0

TABLE 2 - EXCEPTIONS

MODEL NUMBER	RESTRICTION
NBN3-F25-E8	Do not use in a Class II, Division 1, Group E Hazardous Location
V9-CL-D2 & V1-Clip	Not Approved for use in Class II or III locations
NJ type SENSOR See Note ⑪	Class I, Div 2 ONLY
NJ2-FD1 type SENSOR See Note 11	Class I, Div 2 ONLY / Ta = 85C /T4A

Certification Status			
Agency	Pending	Final	
FM	X		X
CSA			
UL			

Dieses Dokument enthält sicherheitstechnische Angaben. Es darf nicht ohne Absprache mit dem Normenfachmann geändert werden!

This document contains safety-relevant information. It must not be altered without the authorization of the norm expert!

Confidential according to ISO 16016	Only valid as long as released in EDM or with a valid production documentation!	scale: none	date:2009-Feb-25
 Twinsburg	CONTROL DRAWING Nonincendive sensors FM	change notice	respons. US.DRL
		150-1681	approved US.DWR
		norm US.GAP	116-0155E sheet 1 of 1

8.9 Intrinsically safe NEPSI (China) certified RAKD (/NS1)

Certificate No.	: GYJ101552
Type of protection	: Intrinsically safe Ex ia
Group	: IIC
Temperature Class	: T6
Ambient temperature	: -25 °C – +65 °C
Safety relevant maximum values of electronic transmitter :	
Maximum voltage	: $U_i = 30 \text{ V}$
Maximum current	: $I_i = 100 \text{ mA}$
Maximum power	: $P_i = 750 \text{ mW}$
Inner inductance	: $L_i = 0.73 \text{ mH}$
Inner capacity	: $C_i = 2.4 \text{ nF}$
Pulse output:	
Maximum voltage	: $U_i = 16 \text{ V}$
Maximum current	: $I_i = 20 \text{ mA}$
Maximum power	: $P_i = 64 \text{ mW}$
Inner inductance	: $L_i = 0 \text{ mH}$
Inner capacity	: $C_i = 0 \text{ nF}$

Data of limit switches:

Type of protection : Intrinsically safe Ex ia IIC T6 – T1 Gb

Safety relevant maximum values:

	SC2-NO (/K1.../K3)		SJ2-SN (/K6.../K8)	
	Type 2	Type 3	Type 2	Type 3
Maximum voltage:	$U_i = 16 \text{ V}$	16 V	$U_i = 16 \text{ V}$	16 V
Maximum current:	$I_i = 25 \text{ mA}$	52 mA	$I_i = 25 \text{ mA}$	52 mA
Maximum power:	$P_i = 64 \text{ mW}$	169 mW	$P_i = 64 \text{ mW}$	169 mW
Inner inductance:	$L_i = 0.15 \text{ mH}$	0.15 mH	$L_i = 0.1 \text{ mH}$	0.1 mH
Inner capacity:	$C_i = 150 \text{ nF}$	150 nF	$C_i = 30 \text{ nF}$	30 nF

Temperature specification:

Table 8-4

Configuration	Max. ambient temperature	Max. process temperature	Temperature class
Indicator "E" + limit switch type 2	65 °C	65 °C	T6
	50 °C	80 °C	
	45 °C	100 °C	T5
	38 °C	135 °C	T4
Indicator "T" with limit switch(es) type 2	65 °C	65 °C	T6
	80 °C	80 °C	T5
	59 °C	100 °C	
	100 °C	100 °C	T4
73 °C	135 °C		
Indicator "T" with limit switch(es) type 3	24 °C	65 °C	T6
	37 °C	80 °C	T5
	34 °C	100 °C	
	57 °C	80 °C	T4
	54 °C	100 °C	
48 °C	135 °C		

8.10 Intrinsically safe EAC (Russia, Belarus, Kazakhstan) certified RAKD (/GS1)

Certificate No. : RU C-DE.ГБ08.B.00317
 Explosion proof : 0Ex ia IIC T6 X
 Ambient temperature : -40 °C – +65 °C

Data of limit switches:

Type of protection : Intrinsically safe Ex ia IIC T6 – T1 Gb
 Safety relevant maximum values:

	SC2-NO (/K1.../K3)		SJ2-SN (/K6.../K8)	
	Type 2	Type 3	Type 2	Type 3
Maximum voltage:	$U_i = 16 \text{ V}$	16 V	$U_i = 16 \text{ V}$	16 V
Maximum current:	$I_i = 25 \text{ mA}$	52 mA	$I_i = 25 \text{ mA}$	52 mA
Maximum power:	$P_i = 64 \text{ mW}$	169 mW	$P_i = 64 \text{ mW}$	169 mW
Inner inductance:	$L_i = 0.15 \text{ mH}$	0.15 mH	$L_i = 0.1 \text{ mH}$	0.1 mH
Inner capacity:	$C_i = 150 \text{ nF}$	150 nF	$C_i = 30 \text{ nF}$	30 nF

Temperature specification:

Table 8-5

Configuration	Max. ambient temperature	Max. process temperature	Temperature class
Indicator "E" + limit switch type 2	65 °C	65 °C	T6
	50 °C	80 °C	
	45 °C	100 °C	T5
	38 °C	135 °C	T4
Indicator "T" with limit switch(es) type 2	65 °C	65 °C	T6
	80 °C	80 °C	T5
	59 °C	100 °C	
	100 °C	100 °C	T4
	73 °C	135 °C	
Indicator "T" with limit switch(es) type 3	24 °C	65 °C	T6
	37 °C	80 °C	T5
	34 °C	100 °C	
	57 °C	80 °C	T4
	54 °C	100 °C	
	48 °C	135 °C	

8.11 Dust proof ATEX certified limit switches (/KS2)

Certification by Pepperl & Fuchs:

Certificate:

- PTB 99 ATEX 2219X (SC2-NO)
- PTB 00 ATEX 2049X (SJ2-SN)

Explosion proof:

Ex ia IIC T6...T1 Gb, II 2G

Ex ia IIIC T135°C Da, II 1D

Ex ib IIIC T135°C Db, II 2D

Entity paramete:

see certificate of conformity

The dust explosion proof for the limit switches is only available if ordered without electronic transmitter (only with housing type "T").

8.12 Intrinsically safe RAKD with Taiwan Safety Label

Registration Document:

ML041200703XN3

Option /ES1 must be selected.

Same data as IECEx-certified type (/ES1)

For export to Taiwan please contact your Yokogawa representative regarding Taiwan Safety Label.

8.13 Intrinsically safe PESO (India) certified RAKD

Identification No.:

P2092401

Option /KS1 must be selected.

Same data as ATEX-certified type (/KS1)

Please contact your Yokogawa representative regarding Peso certificate.

8.14 Intrinsically safe KOSHA (Korea) certified RAKD

Certificate No.:

2012-B0-0522

Option /ES1 must be selected.

Same data as IECEx-certified type (/ES1)

Please contact your Yokogawa representative regarding KOSHA certificate.

Empty page

APPENDIX 1. Safety Instrumented Systems Installation

WARNING

The contents of this appendix are cited from exida.com safety manual on the Rotameter RAKD Flowmeter specifically observed for the safety transmitter purpose. When using the RAKD for Safety Instrumented Systems (SIS) application, the instructions and procedures in this section must be strictly followed in order to preserve the meter for that safety level.

A1.1 Scope and Purpose

This document provides an overview of the user responsibilities for installation and operation of the Rota Yokogawa RAKD variable area flowmeter in order to maintain the designed safety level. Items that will be addressed are proof testing, repair and replacement of the flowmeter, reliability data, lifetime, environmental and application limits, and parameter settings.

A1.2 Using the Rota Yokogawa RAKD variable area flowmeter

A1.2.1 Safety Function

Suitable for use in Safety Instrumented Systems are the versions listed in table 1 only. The safety related data listed in this manual does not apply to other versions of RAKD.

Table A1-1: Versions of RAKD suitable for Safety Instrumented Systems

[V1]	RAKD standard – RAKD[] - []SS - []NNN - T8[]NNN
[V2]	RAKD with head/valve– RAKD[] - []SS - []V[] - T8[]NNN
[V3]	RAKD with head/valve/controller – RAKD[] - []SS - []V[] - T8[]NNN/R[]

This variable area flowmeter is intended for use as a volume flow monitoring component in a Safety Instrumented System. It has inductive limit switches. The flowmeter may be used with the limit switches to feed signals to a logic solver that is part of the safety instrumented function (SIF) as shown in Figure 1. The fault annunciation mechanism is a trip of one of the limit switches. In order to take credit for the automatic diagnostics in the flowmeter, this annunciation mechanism must be connected.

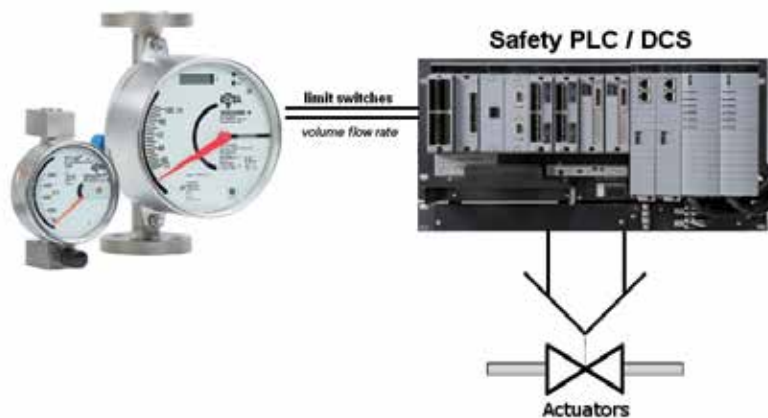


Figure 1 Example Safety Instrumented Function

A1.2.2 Diagnostic Response Time

In case of a fault the limit switches will go to their safe fail state immediately.

A1.2.3 Setup

A setup of the flowmeter is not required. Installation shall be done according to the manual.

A1.2.4 Proof Testing

The objective of proof testing is to detect failures within the flowmeter that are not detected by the diagnostics of the flowmeter. Of main concern are undetected failures that prevent the safety instrumented function from performing its intended function.

The frequency of the proof tests (or the proof test interval) is to be determined in the reliability calculations for the safety instrumented functions for which the flowmeter is applied. The actual proof tests must be performed more frequently than or as frequently as specified in the calculation in order to maintain required safety integrity of the safety instrumented function.

The following tests need to be specifically executed when a proof test is performed. The results of the proof test need to be documented and this documentation should be part of a plant safety management system. Failures that are detected should be reported to Yokogawa.

Proof test for variable area flowmeter RAKD with inductive limit switches:

Step	Action
1	Take appropriate action to avoid a false trip
2	Inspect the device for any visible damage, corrosion or contamination.
3	Force the variable area flowmeter RAKD to reach a defined "MAX" threshold value and verify that the inductive limit switch goes into the safe state. Note: only applicable if RAKD is equipped with a "MAX" limit switch.
4	Force the variable area flowmeter RAKD to reach a defined "MIN" threshold value and verify that the inductive limit switch goes into the safe state. Note: only applicable if RAKD is equipped with a "MIN" limit switch.
5	Restore the loop to full operation
6	Restore normal operation

When all the tests listed above are executed a proof test coverage of approximately 99 % of possible DU failures in the variable area flowmeter RAKD can be claimed.

The following tools need to be available to perform proof testing:

- Measurement instrument to verify output status of the limit switches

The person(s) performing the proof test of the Yokogawa RAKD variable area flowmeter should be trained in SIS operations including bypass procedures, flowmeter maintenance and company management of change procedures.

A1.2.5 Repair and replacement

Maintenance information can be found in section 6, Maintenance of the User's Manual Model RAKD Small Metal ROTAMETER, IM 01R01B30-00E-E.

If repair is to be performed with the process online the Rota Yokogawa RAKD variable area flowmeter will need to be bypassed during the repair. The user should setup appropriate bypass procedures for that.

Contact the Yokogawa sales office if this instrument requires repair

The people performing the repair and/or replacement of the Rota Yokogawa RAKD variable area flowmeter should have a sufficient skill level.

A1.2.6 Startup Time

The flowmeter will generate a valid signal within 0.5 seconds of power-on startup.

A1.2.7 Reliability data

A detailed Failure Modes, Effects and Diagnostics Analysis (FMEDA) report is available from Rota Yokogawa with all failure rates and failure modes. Rota Yokogawa RAKD variable area flowmeter is intended for use in a Low Demand Mode. Low Demand Mode means the average interval between dangerous conditions occurs infrequently.

The Rota Yokogawa RAKD variable area flowmeter is suitable for application in SIL1 safety functions for use in a simplex (1oo1) configuration, depending on the PFDAVG calculation of the entire Safety Instrumented Function.

A1.2.8 Lifetime limits

The expected lifetime of the Yokogawa Rota Yokogawa RAKD variable area flowmeter is 10 years. The reliability data listed in 2.7 is only valid for this period. The failure rates of the Rota Yokogawa RAKD variable area flowmeter may increase sometime after this period. Reliability calculations based on the data listed in A1.2.7 for Rota Yokogawa RAKD variable area flowmeter lifetimes beyond 10 years may yield results that are too optimistic, i.e. the calculated Safety Integrity Level will not be achieved.

A1.2.9 Environmental limits

The environmental limits of Rota Yokogawa RAKD variable area flowmeter are specified in the User's Manual, Model RAKD Small Metal ROTAMETER, IM 01R01B30-00E-E.

A1.2.10 Application limits

The application limits of the Rota Yokogawa RAKD variable area flowmeter are specified in the User's Manual, Model RAKD Small Metal ROTAMETER, IM 01R01B30-00E-E. If the flowmeter is used outside of the application limits the reliability data listed in A1.2.7 becomes invalid.

A1.3 Definitions and Abbreviations

A1.3.1 Definitions

Safety	Freedom from unacceptable risk of harm
Functional Safety	The ability of a system to carry out the actions necessary to achieve or to maintain a defined safe state for the equipment/machinery/plant/apparatus under control of the system
Basic Safety	The equipment must be designed and manufactured such that it protects against risk of damage to persons by electrical shock and other hazards and against resulting fire and explosion. The protection must be effective under all conditions of the nominal operation and under single fault condition
Verification	The demonstration for each phase of the life-cycle that the (output) deliverables of the phase meet the objectives and requirements specified by the inputs to the phase. The verification is usually executed by analysis and/or testing
Validation	The demonstration that the safety-related system(s) or the combination of safety-related system(s) and external risk reduction facilities meet, in all respects, the Safety Requirements Specification. The validation is usually executed by testing
Safety Assessment	The investigation to arrive at a judgment - based on evidence - of the safety achieved by safety-related systems

Further definitions of terms used for safety techniques and measures and the description of safety related systems are given in IEC 61508-4.

A1.3.2 Abbreviations

FMEDA	Failure Modes, Effects and Diagnostic Analysis
SIF	Safety Instrumented Function
SIL	Safety Integrity Level
SIS	Safety Instrumented System
SLC	Safety Lifecycle

A1.4 Assessment results

A1.4.1 Safety related parameters

The following results have been obtained from the assessment report Report No.: ROTA YOKOGAWA 08/07-23 R002 Version V2, Revision R6, March 2017 issued by Exida.

Average PFD values have been calculated assuming a Diagnostic Coverage (DC) of 99 %, a mission time of 10 years and a Mean Time To Restoration of 24 hours.

Table A1-2: Summary for RAKD ([V1]) with fail-safe limit switches³ – Failure rates

	Profile 3
Fail Safe Detected (λ_{SD})	0 FIT
Fail Safe Undetected (λ_{SU})	50 FIT
Fail Dangerous Detected (λ_{DD})	4 FIT
Fail Dangerous Undetected (λ_{DU})	62 FIT
SFF ⁴	57 %
MTBF	486 years
SIL AC ⁵	SIL1

Safety metrics according to ISO 13849-1⁶:

MTTF _d (years)	1730
DC	6 %
Category (CAT)	CAT 1
Performance Level (required)	PL _r = c
Performance Level (calculated)	6.60E-08 1/h

T[Proof] = 1 year	T[Proof] = 5 years	T[Proof] = 10 years
PFD _{AVG} = 2.96E-04	PFD _{AVG} = 1.37E-03	PFD _{AVG} = 2.72E-03

Table A1-3: Summary for RAKD ([V1]) with standard limit switches ⁷ – Failure rates

	Profile 3
Fail Safe Detected (λ_{SD})	0 FIT
Fail Safe Undetected (λ_{SU})	81 FIT
Fail Dangerous Detected (λ_{DD})	4 FIT
Fail Dangerous Undetected (λ_{DU})	101 FIT
SFF ⁴	45 %
MTBF	375 years
SIL AC ⁵	SIL1

Safety metrics according to ISO 13849-1⁶:

MTTF _d (years)	1087
DC	4 %
Category (CAT)	CAT 1
Performance Level (required)	PL _r = c
Performance Level (calculated)	1.05E-07 1/h

T[Proof] = 1 year	T[Proof] = 5 years	T[Proof] = 10 years
PFDAVG = 4.82E-04	PFDAVG = 2.23E-03	PFDAVG = 4.42E-03

Table A1-4: Summary for RAKD ([V2]) with fail-safe limit switches ³ – Failure rates

	Profile 3
Fail Safe Detected (λ_{SD})	0 FIT
Fail Safe Undetected (λ_{SU})	51 FIT
Fail Dangerous Detected (λ_{DD})	4 FIT
Fail Dangerous Undetected (λ_{DU})	84 FIT
SFF ⁴	39 %
MTBF	399 years
SIL AC ⁵	SIL1

Safety metrics according to ISO 13849-1⁶:

MTTF _d (years)	1297
DC	5 %
Category (CAT)	CAT 1
Performance Level (required)	PL _r = c
Performance Level (calculated)	8.80E-08 1/h

T[Proof] = 1 year	T[Proof] = 5 years	T[Proof] = 10 years
PFDAVG = 4.01E-04	PFDAVG = 1.86E-03	PFDAVG = 3.68E-03

Table A1-5: Summary for RAKD ([V2]) with standard limit switches ⁷ – Failure rates

	Profile 3
Fail Safe Detected (λ_{SD})	0 FIT
Fail Safe Undetected (λ_{SU})	81 FIT
Fail Dangerous Detected (λ_{DD})	4 FIT
Fail Dangerous Undetected (λ_{DU})	123 FIT
SFF ⁴	40 %
MTBF	321 years
SIL AC ⁵	SIL1

Safety metrics according to ISO 13849-1⁶:

MTTF _d (years)	899
DC	3 %
Category (CAT)	CAT 1
Performance Level (required)	PL _r = c
Performance Level (calculated)	1.27E-07 1/h

T[Proof] = 1 year	T[Proof] = 5 years	T[Proof] = 10 years
PFD _{AVG} = 5.87E-04	PFD _{AVG} = 2.72E-03	PFD _{AVG} = 5.39E-03

Table A1-6: Summary for RAKD ([V3]) with fail-safe limit switches ³ – Failure rates

	Profile 3
Fail Safe Detected (λ_{SD})	0 FIT
Fail Safe Undetected (λ_{SU})	51 FIT
Fail Dangerous Detected (λ_{DD})	4 FIT
Fail Dangerous Undetected (λ_{DU})	164 FIT
SFF ⁴	25 %
MTBF	262 years
SIL AC ⁵	SIL1

Safety metrics according to ISO 13849-1⁶:

MTTF _d (years)	679
DC	2 %
Category (CAT)	CAT 1
Performance Level (required)	PL _r = c
Performance Level (calculated)	8.80E-08 1/h

T[Proof] = 1 year	T[Proof] = 5 years	T[Proof] = 10 years
PFD _{AVG} = 7.83E-04	PFD _{AVG} = 3.63E-03	PFD _{AVG} = 7.18E-03

Table A1-7: Summary for RAKD ([V3]) with standard limit switches ⁷ – Failure rate

	Profile 3
Fail Safe Detected (λ_{SD})	0 FIT
Fail Safe Undetected (λ_{SU})	81 FIT
Fail Dangerous Detected (λ_{DD})	4 FIT
Fail Dangerous Undetected (λ_{DU})	203 FIT
SFF ⁴	29 %
MTBF	226 years
SIL AC ⁵	SIL1

Safety metrics according to ISO 13849-1⁶:

MTTF _d (years)	551
DC	2 %
Category (CAT)	CAT 1
Performance Level (required)	PL _r = c
Performance Level (calculated)	2.07E-07 1/h

T[Proof] = 1 year	T[Proof] = 5 years	T[Proof] = 10 years
PFD _{AVG} = 9.69E-04	PFD _{AVG} = 4.49E-03	PFD _{AVG} = 8.89E-03

³ The switching contact output is connected to a fail-safe NAMUR amplifier (e.g. Pepperl+Fuchs KF**-SH-Ex1). The failure rates of the amplifier are not included in the listed failure rates

⁴ The complete sensor subsystem will need to be evaluated to determine the overall Safe Failure Fraction. The number listed is for reference only.

⁵ SIL AC (architectural constraints) means that the calculated values are within the range for hardware architectural constraints for the corresponding SIL but does not imply all related IEC 61508 requirements are fulfilled.

⁶ Depending on the application and possible external diagnostics a higher DC_D and therefore also a higher category might be possible to achieve.

⁷ The switching contact output is connected to a standard switching amplifier (e.g. Pepperl+Fuchs KF**-SR2-Ex*.W). The failure rates of the amplifier are not included in the listed failure rates.



YOKOGAWA ELECTRIC CORPORATION**Headquarters**

2-9-32, Nakacho, Musashino-shi, Tokyo, 180-8750 JAPAN
Phone : 81-422-52-5555

Branch Sales Offices

Osaka, Nagoya, Hiroshima, Kurashiki, Fukuoka, Kitakyusyu

YOKOGAWA CORPORATION OF AMERICA**Head Office**

12530 West Airport Blvd, Sugar Land, Texas 77478, USA
Phone : 1-281-340-3800 Fax : 1-281-340-3838

Georgia Office

2 Dart Road, Newnan, Georgia 30265, USA
Phone : 1-800-888-6400/ 1-770-253-7000 Fax : 1-770-254-0928

YOKOGAWA AMERICA DO SUL LTDA.

Praca Acapulco, 31 - Santo Amaro, São Paulo/SP, BRAZIL, CEP-04675-190
Phone : 55-11-5681-2400 Fax : 55-11-5681-4434

YOKOGAWA EUROPE B. V.

Euroweg 2, 3825 HD Amersfoort, THE NETHERLANDS
Phone : 31-88-4641000 Fax : 31-88-4641111

YOKOGAWA ELECTRIC CIS LTD.

Grokholskiy per 13 Building 2, 4th Floor 129090, Moscow, RUSSIA
Phone : 7-495-737-7868 Fax : 7-495-737-7869

YOKOGAWA CHINA CO., LTD.

3F Tower D Cartelo Crocodile Building, No.568 West Tianshan Road,
Shanghai 200335, CHINA
Phone : 86-21-62396262 Fax : 86-21-62387866

YOKOGAWA ELECTRIC KOREA CO., LTD.

(Yokogawa B/D, Yangpyeong-dong 4-Ga), 21, Seonyu-ro 45-gil, Yeongdeungpo-gu,
Seoul, 150-866, KOREA
Phone : 82-2-2628-6000 Fax : 82-2-2628-6400

YOKOGAWA ENGINEERING ASIA PTE. LTD.

5 Bedok South Road, Singapore 469270, SINGAPORE
Phone : 65-6241-9933 Fax : 65-6241-2606

YOKOGAWA INDIA LTD.

Plot No.96, Electronic City Complex, Hosur Road, Bangalore - 560 100, INDIA
Phone : 91-80-4158-6000 Fax : 91-80-2852-1442

YOKOGAWA AUSTRALIA PTY. LTD.

Tower A, 112-118 Talavera Road, Macquarie Park NSW 2113, AUSTRALIA
Phone : 61-2-8870-1100 Fax : 61-2-8870-1111

YOKOGAWA MIDDLE EAST & AFRICA B.S.C.(C)

P.O. Box 10070, Manama, Building 577, Road 2516, Busaiten 225, Muharraq,
Kingdom of BAHRAIN
Phone : 973-17358100 Fax : 973-17336100

Apr. '15

Rotameter™ is a trademark of Rota Yokogawa GmbH & Co. KG, a subsidiary of Yokogawa Electric Corporation, Japan.

In the United Kingdom Rotameter™ is a trademark of Emerson Electric Co.